

IRWIN®

Screwdrivers



Screwdrivers

Multi-Bit Drive Tools

IRWIN Screwdrivers

IRWIN now offers a comprehensive lineup of screwdrivers designed to address a variety of challenges professionals face on the job. Led by an innovative range of multi-bit drive tools designed through end-user testing, our complete assortment also includes traditional screwdrivers, nut drivers, demolition screwdrivers, and hex keys for complete category coverage.



SCREWDRIVERS



**EXTENDING
MULTI-BIT DRIVER**



**SCREW GUIDE
DRIVER**



**8-in-1 RATCHETING
SCREWDRIVER**



**8-in-1
SCREWDRIVER**



**QUICK CHANGE
DRIVER**



**6-in-1
NUT DRIVER**



**DEMOLITION
SCRATCH AWL**



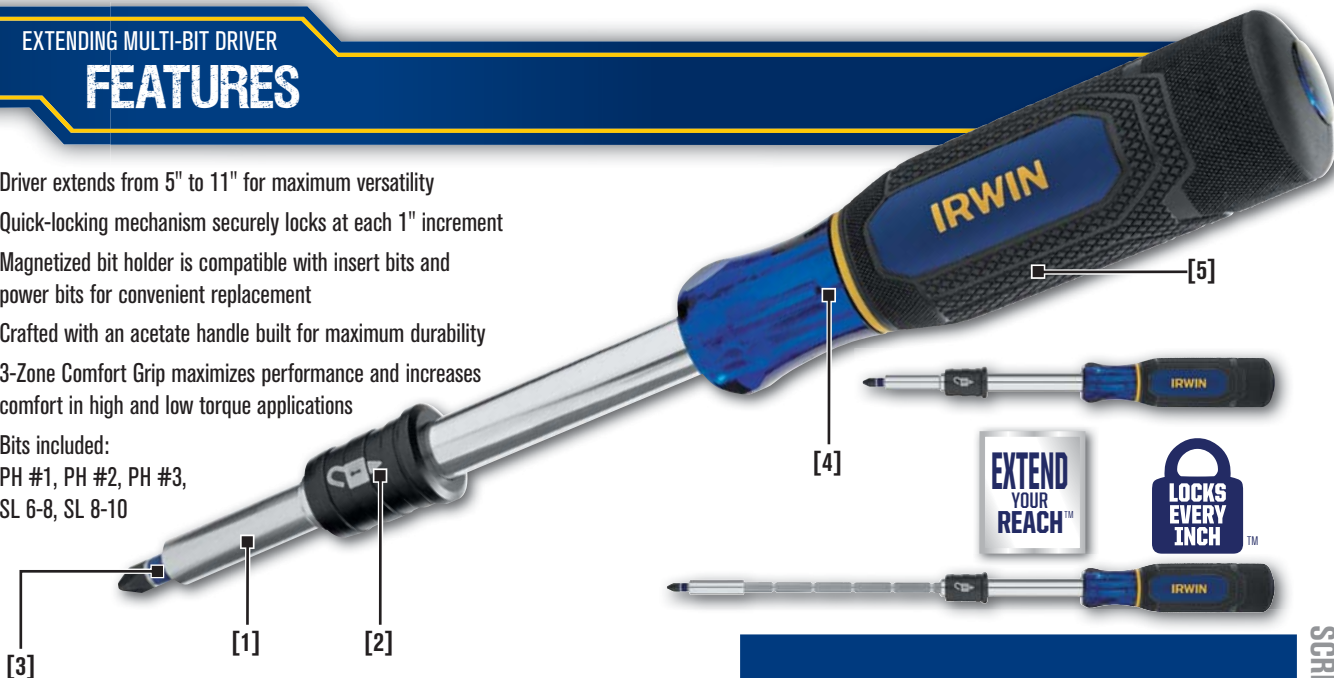
**MAGNETIC
MULTI-BIT DRIVER**

IRWIN EXTENDING MULTI-BIT DRIVER

The IRWIN Extending Multi-Bit Driver extends from 5" to 11", locking securely at each 1" increment, so users can easily access hard-to-reach spaces. In addition, the tip accepts insert and power bits for maximum versatility and ease of replacement.

EXTENDING MULTI-BIT DRIVER FEATURES

1. Driver extends from 5" to 11" for maximum versatility
2. Quick-locking mechanism securely locks at each 1" increment
3. Magnetized bit holder is compatible with insert bits and power bits for convenient replacement
4. Crafted with an acetate handle built for maximum durability
5. 3-Zone Comfort Grip maximizes performance and increases comfort in high and low torque applications
6. Bits included:
PH #1, PH #2, PH #3,
SL 6-8, SL 8-10



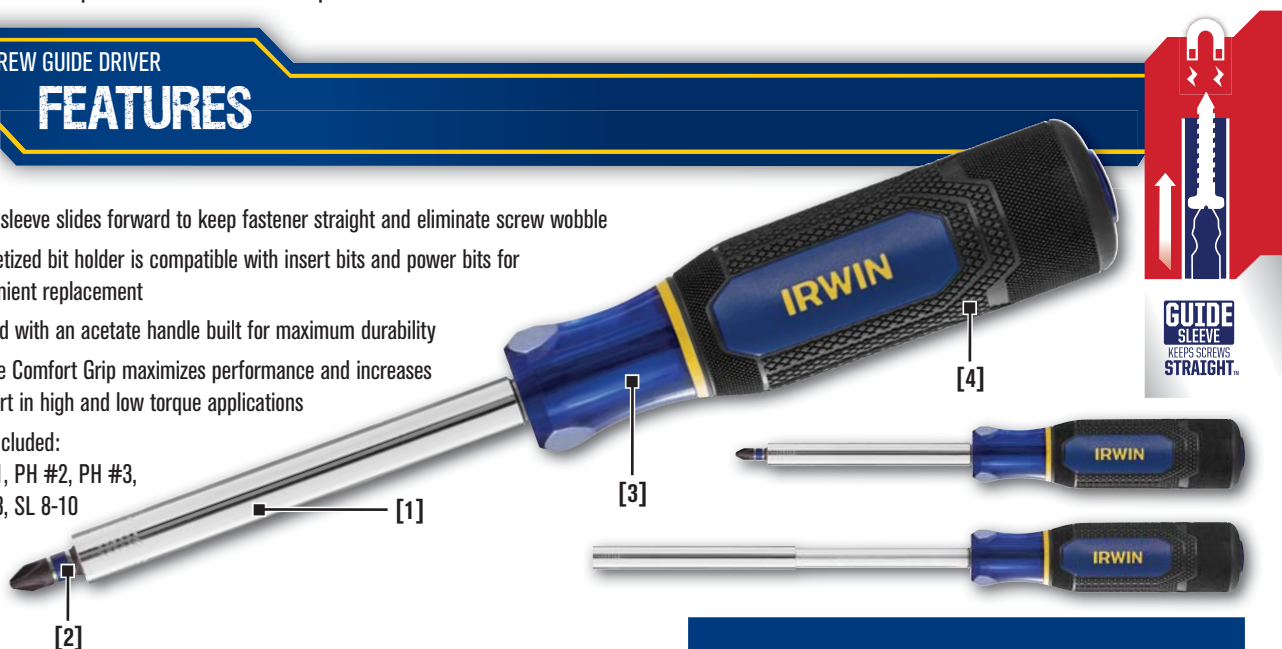
Description	Item #	Shelf Pack Qty
Extending Multi-Bit Driver	1948779	6

IRWIN SCREW GUIDE DRIVER

The IRWIN Screw Guide Driver features a metal sleeve that slides forward to keep fasteners straight and eliminate screw wobble. This driver is compatible with insert bits and power bits for convenient replacement.

SCREW GUIDE DRIVER FEATURES

1. Metal sleeve slides forward to keep fastener straight and eliminate screw wobble
2. Magnetized bit holder is compatible with insert bits and power bits for convenient replacement
3. Crafted with an acetate handle built for maximum durability
4. 3-Zone Comfort Grip maximizes performance and increases comfort in high and low torque applications
5. Bits included:
PH #1, PH #2, PH #3,
SL 6-8, SL 8-10



Description	Item #	Shelf Pack Qty
Screw Guide Driver	1948776	6

Screwdrivers

Multi-Bit Drive Tools

IRWIN 8-in-1 RATCHETING SCREWDRIVER

The IRWIN 8-in-1 Ratcheting Screwdriver is compatible with standard double-ended bits, power bits, and insert bits for convenient replacement. It has compact bit storage and a ratcheting feature that allows the user to turn the driver without stopping to adjust wrist position.

8-in-1 RATCHETING SCREWDRIVER FEATURES

1. Driver is compatible with double-ended bits, power bits, and insert bits for convenient replacement
2. Compact, in-handle bit storage provides easy access to 2 double-ended bits, 1 insert bit, and 3 nut driver sizes
3. Crafted with an acetate handle built for maximum durability
4. 3-Zone Comfort Grip maximizes performance and increases comfort in high and low torque applications
5. Ratcheting feature allows the user to turn the driver without stopping to adjust wrist position
6. Bits included:
PH #1, PH #2, SQ #2, T25, SL 8-10
Nut drivers included: 1/4", 5/16", 3/8"



Description	Item #	Shelf Pack Qty
8-in-1 Ratcheting Screwdriver	1948774	6

SCREWDRIVERS

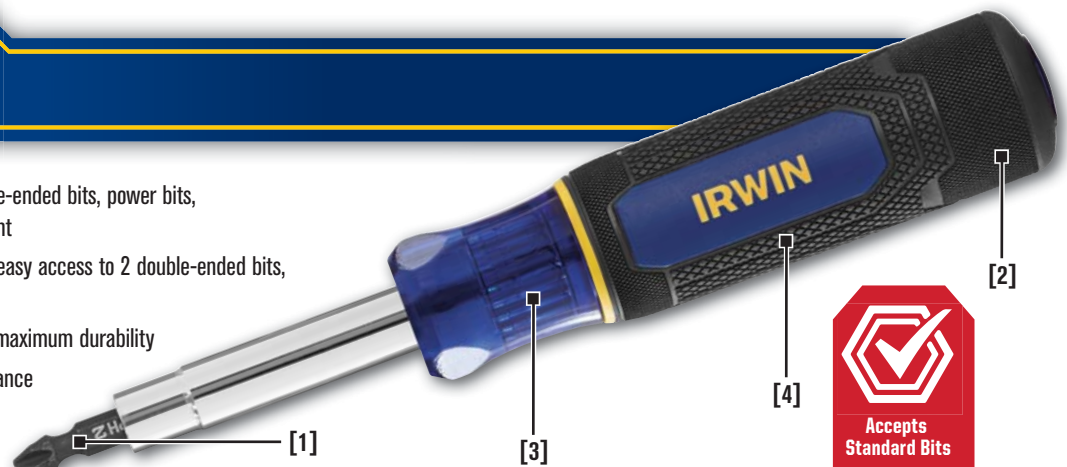
SCREWDRIVERS

IRWIN 8-in-1 SCREWDRIVER

The IRWIN 8-in-1 Screwdriver is compatible with standard double-ended bits, power bits, and insert bits for convenient replacement. It also features compact, in-handle bit storage for easy accessibility.

8-in-1 SCREWDRIVER FEATURES

1. Driver is compatible with standard double-ended bits, power bits, and insert bits for convenient replacement
2. Compact, in-handle bit storage provides easy access to 2 double-ended bits, 1 insert bit, and 3 nut driver sizes
3. Crafted with an acetate handle built for maximum durability
4. 3-Zone Comfort Grip maximizes performance and increases comfort in high and low torque applications
5. Bits included:
PH #1, PH #2, SQ #2, T25, SL 8-10
Nut Drivers included:
1/4", 5/16", 3/8"



Description	Item #	Shelf Pack Qty
8-in-1 Traditional Screwdriver	1948773	6

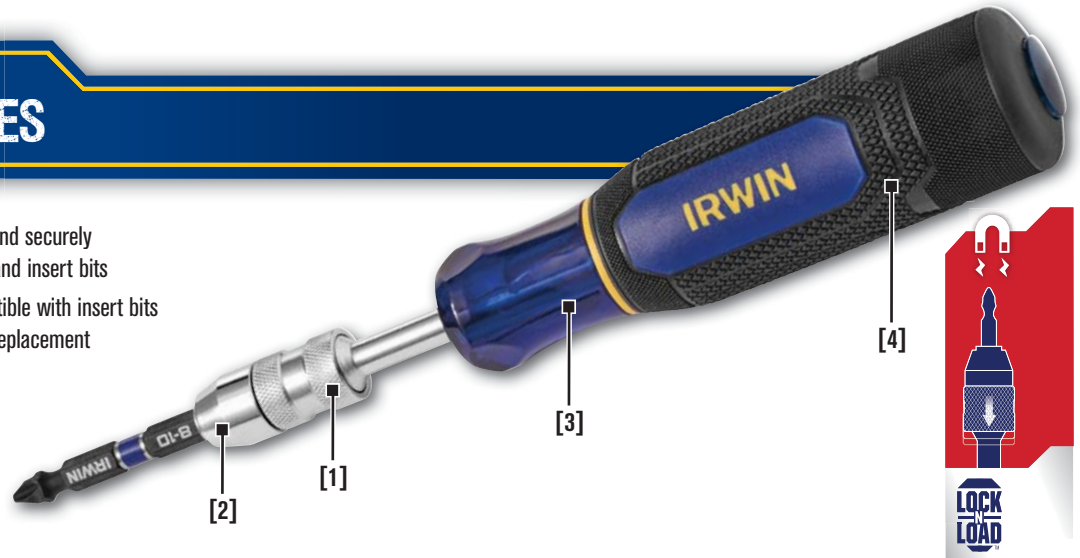
IRWIN QUICK CHANGE DRIVER

The IRWIN Quick Change Driver features a Lock-n-Load mechanism that allows bits to be quickly and easily switched between hand tools and power tools. This driver is compatible with double-ended, power, and insert bits for convenient replacement.

QUICK CHANGE DRIVER

FEATURES

1. Lock-n-Load™ feature quickly and securely locks-in double-ended, power, and insert bits
2. Magnetized bit holder is compatible with insert bits and power bits for convenient replacement
3. Crafted with an acetate handle built for maximum durability
4. 3-Zone Comfort Grip maximizes performance and increases comfort in high and low torque applications
5. Bits included:
SL 6-8, SL 8-10, PH #1, PH #2



Description	Item #	Shelf Pack Qty
Quick Change Driver	1948782	6

SCREWDRIVERS

IRWIN 6-in-1 NUT DRIVER

The IRWIN 6-in-1 Nut Driver increases convenience on the job by combining 6 sizes into one tool. It features on-board storage of 3 double-ended sockets for easy access to six different hex sizes. This tool is available in both SAE and metric sizes.

6-in-1 NUT DRIVER

FEATURES

1. Features 6 nut driver sizes in one tool for maximum efficiency
2. Compact, in-handle socket storage provides easy access to 3 double-ended sockets
3. Crafted with an acetate handle built for maximum durability
4. 3-Zone Comfort Grip maximizes performance and increases comfort in high and low torque applications
5. SAE model includes sizes:
1/4", 5/16", 11/32", 3/8", 7/16", and 1/2"
Metric model includes sizes:
6mm, 7mm, 8mm, 10mm, 11mm, and 13mm



Description	Item #	Shelf Pack Qty
6-in-1 Nut Driver - Metric	1948777	6
6-in-1 Nut Driver - SAE	1948778	6

Screwdrivers

Performance Series Screwdrivers



IRWIN PERFORMANCE SERIES SCREWDRIVERS

The IRWIN Performance Series screwdrivers feature a 3-Zone Comfort Grip for maximum performance and comfort in high and low torque applications. These drivers are crafted with an acetate handle for long lasting durability.



SCREWDRIVERS

STANDARD SCREWDRIVERS



1. Crafted with an acetate handle built for maximum durability
2. 3-Zone Comfort Grip maximizes performance and increases comfort in high and low torque applications
3. Ends of handles are stamped with tip type for easy identification
4. Heat treated precision tip geometry for superior fitment, reducing stripping and cam-out

STUBBY SCREWDRIVERS



Description	Shaft Length	Tip Type	Tip Size	Carded Item #	Pack Qty
Performance Series Screwdriver PH #1 3"	3"	Phillips	#1	1948298	3
Performance Series Screwdriver PH #2 4"	4"	Phillips	#2	1948300	3
Performance Series Screwdriver PH #2 6"	6"	Phillips	#2	1948671	3
Performance Series Screwdriver PH #2 10"	10"	Phillips	#2	1948672	3
Performance Series Screwdriver PH #3 6"	6"	Phillips	#3	1948673	3
Performance Series Screwdriver SL CB 1/8" 4"	4"	Slotted - Cabinet	1/8"	1948677	3
Performance Series Screwdriver SL CB 3/16" 3"	3"	Slotted - Cabinet	3/16"	1948685	3
Performance Series Screwdriver SL CB 3/16" 6"	6"	Slotted - Cabinet	3/16"	1948686	3
Performance Series Screwdriver SL CB 1/4" 4"	4"	Slotted - Cabinet	1/4"	1948687	3
Performance Series Screwdriver SL CB 1/4" 6"	6"	Slotted - Cabinet	1/4"	1948688	3
Performance Series Screwdriver SL KS 3/16" 3"	3"	Slotted - Keystone	3/16"	1948692	3
Performance Series Screwdriver SL KS 7/32" 3"	3"	Slotted - Keystone	7/32"	1948689	3
Performance Series Screwdriver SL KS 1/4" 4"	4"	Slotted - Keystone	1/4"	1948691	3
Performance Series Screwdriver SL KS 5/16" 6"	6"	Slotted - Keystone	5/16"	1948693	3
Performance Series Screwdriver SL KS 3/8" 8"	8"	Slotted - Keystone	3/8"	1948694	3
Performance Series Screwdriver SQ #1 4"	4"	Square	#1	1948674	3
Performance Series Screwdriver SQ #2 4"	4"	Square	#2	1948675	3
Performance Series Screwdriver SQ #3 6"	6"	Square	#3	1948676	3

Description	Shaft Length	Tip Type	Tip Size	Carded Item #	Pack Qty
Performance Series Screwdriver PH #2 1-1/2"	1-1/2"	Phillips	#2	1948299	3
Performance Series Screwdriver SL KS 1/4" 1-1/2"	1-1/2"	Slotted - Keystone	1/4"	1948690	3

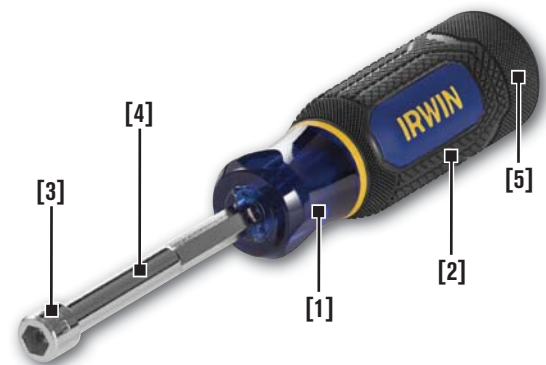
IRWIN PERFORMANCE SERIES NUT DRIVERS

The IRWIN Performance Series Nut Drivers feature a 3-Zone Comfort Grip for maximum performance and comfort in high and low torque applications. These drivers are crafted with an acetate handle for long lasting durability and have a hollow shaft to accommodate long bolts. A 6-sided drive head engages fasteners for less stripping and longer life.



SCREWDRIVERS

Description	SAE / Metric	Shaft Length	Hex Size	Carded Item #	Pack Qty
Performance Series SAE Nut Driver 3/16" 3"	SAE	3"	3/16"	1948704	3
Performance Series SAE Nut Driver 1/4" 3"	SAE	3"	1/4"	1948705	3
Performance Series SAE Nut Driver 5/16" 3"	SAE	3"	5/16"	1948706	3
Performance Series SAE Nut Driver 11/32" 3"	SAE	3"	11/32"	1948707	3
Performance Series SAE Nut Driver 3/8" 3"	SAE	3"	3/8"	1948708	3
Performance Series SAE Nut Driver 7/16" 3"	SAE	3"	7/16"	1948709	3
Performance Series SAE Nut Driver 1/2" 3"	SAE	3"	1/2"	1948710	3
Performance Series SAE Nut Driver 9/16" 3"	SAE	3"	9/16"	1948711	3
Performance Series Metric Nut Driver 5MM 3"	Metric	3"	5MM	1948712	3
Performance Series Metric Nut Driver 6MM 3"	Metric	3"	6MM	1948713	3
Performance Series Metric Nut Driver 7MM 3"	Metric	3"	7MM	1948714	3
Performance Series Metric Nut Driver 8MM 3"	Metric	3"	8MM	1948715	3
Performance Series Metric Nut Driver 9MM 3"	Metric	3"	9MM	1948716	3
Performance Series Metric Nut Driver 10MM 3"	Metric	3"	10MM	1948717	3
Performance Series Metric Nut Driver 11MM 3"	Metric	3"	11MM	1948718	3



1. Crafted with an acetate handle built for maximum durability
2. 3-Zone Comfort Grip maximizes performance and increases comfort in high and low torque applications
3. 6-sided drive head engages fasteners for less stripping and longer life
4. Hollow shaft accommodates long bolts
5. Ends of handles are stamped with tip type for easy identification

Screwdrivers

Performance Series Screwdrivers

IRWIN DEMOLITION SCREWDRIVERS

The IRWIN Performance Series Demolition Screwdrivers feature a 3-Zone Comfort Grip for maximum performance and comfort in high and low torque applications. These drivers are crafted with an acetate handle for long lasting durability and feature a solid steel core and strike cap for heavy impact in demolition work.



DEMOLITION SCRATCH AWL

FEATURES

1. Scribes, marks, and starts screw holes in various materials
2. Solid steel core and strike cap for heavy impact in demolition work
3. Crafted with an acetate handle built for maximum durability
4. 3-Zone Comfort Grip maximizes performance and increases comfort in high and low torque applications

[1]



SCREWDRIVERS

Description	Item #	Shelf Pack Qty
Demolition Scratch Awl	1948719	6

[3]

[4]

[2]

DEMOLITION SCREWDRIVERS

FEATURES

1. Solid steel core and strike cap for heavy impact in demolition work
2. Crafted with an acetate handle built for maximum durability
3. 3-Zone Comfort Grip maximizes performance and increases comfort in high and low torque applications
4. Ends of handles are stamped with tip type for easy identification
5. Heat treated precision tip geometry for superior fitment, reducing stripping and cam-out

[5]

[2]

[3]

[4]

[1]

Description	Shaft Length	Tip Type	Tip Size	Carded Item #	Pack Qty
Performance Series Demolition Screwdriver KS 1/4" 4"	4"	Slotted - Keystone	1/4"	1948695	3
Performance Series Demolition Screwdriver KS 5/16" 6"	6"	Slotted - Keystone	5/16"	1948696	3
Performance Series Demolition Screwdriver PH #2 6"	6"	Phillips	#2	1948697	3



1948785

2 PIECE PERFORMANCE SERIES SCREWDRIVER SET

ITEM # 1948785

Description	Shaft Length	Tip Type	Tip Size	Item #
Performance Series Screwdriver SL KS 1/4" 4"	4"	Slotted - Keystone	1/4"	1948691
Performance Series Screwdriver PH #2 4"	4"	Phillips	#2	1948300

6 PIECE PERFORMANCE SERIES SCREWDRIVER SET

ITEM # 1948788

Description	Shaft Length	Tip Type	Tip Size	Item #
Performance Series Screwdriver SL KS 1/4" 4"	4"	Slotted - Keystone	1/4"	1948691
Performance Series Screwdriver SL KS 5/16" 6"	6"	Slotted - Keystone	5/16"	1948693
Performance Series Screwdriver SL KS 3/8" 8"	8"	Slotted - Keystone	3/8"	1948694
Performance Series Screwdriver SL CB 3/16" 3"	3"	Slotted - Cabinet	3/16"	1948685
Performance Series Screwdriver PH #1 3"	3"	Phillips	#1	1948298
Performance Series Screwdriver PH #2 4"	4"	Phillips	#2	1948300

2 PIECE PERFORMANCE SERIES DEMOLITION SCREWDRIVER SET

ITEM # 1948789

Description	Shaft Length	Tip Type	Tip Size	Item #
Performance Series Demolition Screwdriver SL KS 5/16" 6"	6"	Slotted - Keystone	5/16"	1948696
Performance Series Demolition Screwdriver PH #2 6"	6"	Phillips	#2	1948697

8 PIECE PERFORMANCE SERIES SAE NUTDRIVER SET

ITEM # 1948790

Description	SAE/Metric	Shaft Length	Hex Size	Item #
Performance Series SAE Nutdriver 3/16" 3"	SAE	3"	3/16"	1948704
Performance Series SAE Nutdriver 1/4" 3"	SAE	3"	1/4"	1948705
Performance Series SAE Nutdriver 5/16" 3"	SAE	3"	5/16"	1948706
Performance Series SAE Nutdriver 11/32" 3"	SAE	3"	11/32"	1948707
Performance Series SAE Nutdriver 3/8" 3"	SAE	3"	3/8"	1948708
Performance Series SAE Nutdriver 7/16" 3"	SAE	3"	7/16"	1948709
Performance Series SAE Nutdriver 1/2" 3"	SAE	3"	1/2"	1948710
Performance Series SAE Nutdriver 9/16" 3"	SAE	3"	9/16"	1948711

7 PIECE PERFORMANCE SERIES METRIC NUTDRIVER SET

ITEM # 1948791

Description	SAE/Metric	Shaft Length	Hex Size	Item #
Performance Series Metric Nutdriver 5MM 3"	Metric	3"	5MM	1948712
Performance Series Metric Nutdriver 6MM 3"	Metric	3"	6MM	1948713
Performance Series Metric Nutdriver 7MM 3"	Metric	3"	7MM	1948714
Performance Series Metric Nutdriver 8MM 3"	Metric	3"	8MM	1948715
Performance Series Metric Nutdriver 9MM 3"	Metric	3"	9MM	1948716
Performance Series Metric Nutdriver 10MM 3"	Metric	3"	10MM	1948717
Performance Series Metric Nutdriver 11MM 3"	Metric	3"	11MM	1948718

2 PIECE PERFORMANCE SERIES SAE NUTDRIVER SET

ITEM # 1948793

Description	SAE/Metric	Shaft Length	Hex Size	Item #
Performance Series SAE Nutdriver 1/4" 3"	SAE	3"	1/4"	1948705
Performance Series SAE Nutdriver 5/16" 3"	SAE	3"	5/16"	1948706



1948788



1948790

Screwdrivers

TorqueZone™ Screwdrivers

IRWIN TORQUEZONE™ SCREWDRIVERS

IRWIN TorqueZone™ screwdrivers are designed for optimal turning force and comfort, providing speed in high or low torque applications.



SCREWDRIVERS

IRWIN TORQUEZONE™ MAGNETIC MULTI-BIT DRIVER

The IRWIN Magnetic Multi-Bit Driver features a magnetized bit holder that is compatible with insert bits and power bits for convenient replacement. It also features a TorqueZone™ handle design for optimal comfort and torque.

MAGNETIC MULTI-BIT DRIVER FEATURES

1. Magnetized bit holder holds insert and power bits securely
2. Compatible with insert bits and power bits for convenient replacement
3. TorqueZone™ design for optimal comfort and torque
4. Bits included:
SL 6-8, SL 8-10, PH #1, PH #2, PH #3



Description	Item #	Shelf Pack Qty
Magnetic Driver	1948780	6

[2]

[1]

[3]

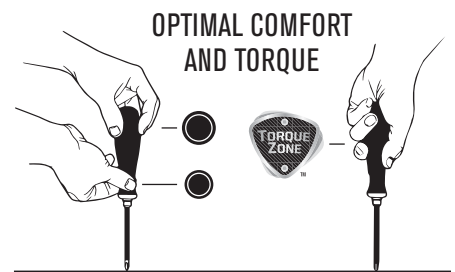
STANDARD SCREWDRIVERS

1. TorqueZone™ design for optimal comfort and torque
2. Ends of handles are stamped with tip type for easy identification
3. Heat treated precision tip geometry for superior fitment, reducing stripping and cam-out



**STUBBY
SCREWDRIVERS**

Description	Shaft Length	Tip Type	Tip Size	Carded Item #	Pack Qty
TorqueZone Screwdriver PH #1 3"	3"	Phillips	#1	1948720	3
TorqueZone Screwdriver PH #1 10"	10"	Phillips	#1	1948721	3
TorqueZone Screwdriver PH #2 1-1/2"	1-1/2"	Phillips	#2	1948722	3
TorqueZone Screwdriver PH #2 4"	4"	Phillips	#2	1948723	3
TorqueZone Screwdriver PH #2 10"	10"	Phillips	#2	1948648	3
TorqueZone Screwdriver PH #3 6"	6"	Phillips	#3	1948649	3
TorqueZone Screwdriver PH #3 8"	8"	Phillips	#3	1948731	3
TorqueZone Screwdriver SQ #1 4"	4"	Square	#1	1948733	3
TorqueZone Screwdriver SQ #2 4"	4"	Square	#2	1948734	3
TorqueZone Screwdriver SQ #3 6"	6"	Square	#3	1948736	3
TorqueZone Screwdriver SL CB 1/8" 4"	4"	Slotted - Cabinet	1/8"	1948737	3
TorqueZone Screwdriver SL CB 1/8" 6"	6"	Slotted - Cabinet	1/8"	1948738	3
TorqueZone Screwdriver SL CB 3/16" 3"	3"	Slotted - Cabinet	3/16"	1948739	3
TorqueZone Screwdriver SL CB 3/16" 6"	6"	Slotted - Cabinet	3/16"	1948740	3
TorqueZone Screwdriver SL CB 3/16" 8"	8"	Slotted - Cabinet	3/16"	1948751	3
TorqueZone Screwdriver SL CB 3/16" 10"	10"	Slotted - Cabinet	3/16"	1948753	3
TorqueZone Screwdriver SL CB 3/16" 12"	12"	Slotted - Cabinet	3/16"	1948754	3
TorqueZone Screwdriver SL KS 3/16" 3"	3"	Slotted - Keystone	3/16"	1948758	3
TorqueZone Screwdriver SL KS 1/4" 1-1/2"	1-1/2"	Slotted - Keystone	1/4"	1948755	3
TorqueZone Screwdriver SL KS 1/4" 4"	4"	Slotted - Keystone	1/4"	1948756	3
TorqueZone Screwdriver SL KS 1/4" 6"	6"	Slotted - Keystone	1/4"	1948757	3
TorqueZone Screwdriver SL KS 5/16" 6"	6"	Slotted - Keystone	5/16"	1948759	3
TorqueZone Screwdriver SL KS 3/8" 8"	8"	Slotted - Keystone	3/8"	1948760	3
TorqueZone Screwdriver SL KS 3/8" 10"	10"	Slotted - Keystone	3/8"	1948761	3
TorqueZone Screwdriver SL KS 3/8" 12"	12"	Slotted - Keystone	3/8"	1948762	3



SCREWDRIVERS

DEMOLITION SCREWDRIVERS

1. Solid steel core and strike cap for heavy impact in demolition work
2. TorqueZone™ design for optimal comfort and torque
3. Ends of handles are stamped with tip type for easy identification
4. Heat treated precision tip geometry for superior fitment, reducing stripping and cam-out



Description	Shaft Length	Tip Type	Tip Size	Carded Item #	Pack Qty
TorqueZone Demolition Screwdriver SL KS 1/4" 4"	4"	Slotted - Keystone	1/4"	1948767	3
TorqueZone Demolition Screwdriver SL KS 5/16" 6"	6"	Slotted - Keystone	5/16"	1948768	3
TorqueZone Demolition Screwdriver SL KS 3/8" 8"	8"	Slotted - Keystone	3/8"	1948769	3
TorqueZone Demolition Screwdriver PH #2 6"	6"	Phillips	#2	1948770	3

Screwdrivers

TorqueZone™ Screwdrivers



1948797

2 PIECE TORQUEZONE SCREWDRIVER SET

ITEM # 1948797

Description	Shaft Length	Tip Type	Tip Size	Item #
TorqueZone Screwdriver PH #2 4"	4"	Phillips	#2	1948723
TorqueZone Screwdriver SL KS 1/4" 4"	4"	Slotted - Keystone	1/4"	1948756

4 PIECE TORQUEZONE SCREWDRIVER SET

ITEM # 1948799

Description	Shaft Length	Tip Type	Tip Size	Item #
TorqueZone Screwdriver PH #1 3"	3"	Phillips	#1	1948720
TorqueZone Screwdriver PH #2 4"	4"	Phillips	#2	1948723
TorqueZone Screwdriver SL KS 1/4" 4"	4"	Slotted - Keystone	1/4"	1948756
TorqueZone Screwdriver SL CB 3/16" 3"	3"	Slotted - Cabinet	3/16"	1948739

6 PIECE TORQUEZONE SCREWDRIVER SET

ITEM # 1948800

Description	Shaft Length	Tip Type	Tip Size	Item #
TorqueZone Screwdriver SL CB 3/16" 3"	3"	Slotted - Cabinet	3/16"	1948739
TorqueZone Screwdriver PH #3 6"	6"	Phillips	#3	1948649
TorqueZone Screwdriver PH #1 3"	3"	Phillips	#1	1948720
TorqueZone Screwdriver PH #2 4"	4"	Phillips	#2	1948723
TorqueZone Screwdriver SL KS 1/4" 4"	4"	Slotted - Keystone	1/4"	1948756
TorqueZone Screwdriver SL KS 1/4" 6"	6"	Slotted - Keystone	1/4"	1948757



1948801

8 PIECE TORQUEZONE SCREWDRIVER SET

ITEM # 1948801

Description	Shaft Length	Tip Type	Tip Size	Item #
TorqueZone Screwdriver PH #1 3"	3"	Phillips	#1	1948720
TorqueZone Screwdriver PH #2 4"	4"	Phillips	#2	1948723
TorqueZone Screwdriver SL CB 3/16" 3"	3"	Slotted - Cabinet	3/16"	1948739
TorqueZone Screwdriver SQ #1 4"	4"	Square	#1	1948733
TorqueZone Screwdriver SQ #2 4"	4"	Square	#2	1948734
TorqueZone Screwdriver SL CB 3/16" 6"	6"	Slotted - Cabinet	3/16"	1948740
TorqueZone Screwdriver SL KS 5/16" 6"	6"	Slotted - Keystone	5/16"	1948759
TorqueZone Screwdriver SL KS 1/4" 4"	4"	Slotted - Keystone	1/4"	1948756



1948798

10 PIECE TORQUEZONE SCREWDRIVER SET

ITEM # 1948802

Description	Shaft Length	Tip Type	Tip Size	Item #
TorqueZone Screwdriver PH #1 3"	3"	Phillips	#1	1948720
TorqueZone Screwdriver PH #2 4"	4"	Phillips	#2	1948723
TorqueZone Screwdriver PH #3 6"	6"	Phillips	#3	1948649
TorqueZone Screwdriver SL CB 1/8" 4"	4"	Slotted - Cabinet	1/8"	1948737
TorqueZone Screwdriver SL CB 3/16" 3"	3"	Slotted - Cabinet	3/16"	1948739
TorqueZone Screwdriver PH #2 1-1/2"	1-1/2"	Phillips	#2	1948722
TorqueZone Screwdriver SL KS 1/4" 1-1/2"	1-1/2"	Slotted - Keystone	1/4"	1948755
TorqueZone Screwdriver SL KS 1/4" 4"	4"	Slotted - Keystone	1/4"	1948756
TorqueZone Screwdriver SL KS 5/16" 6"	6"	Slotted - Keystone	5/16"	1948759
Offset Screwdriver PH #2 / SL 1/4" 5"	5"	Phillips/Slotted	PH #2 / SL 1/4"	-

2 PIECE TORQUEZONE DEMOLITION SCREWDRIVER SET

ITEM # 1948798

Description	Shaft Length	Tip Type	Tip Size	Item #
TorqueZone Demolition Screwdriver SL KS 5/16" 6"	6"	Slotted - Keystone	5/16"	1948768
TorqueZone Demolition Screwdriver PH #2 6"	6"	Phillips	#2	1948770

IRWIN HEX KEYS SETS

IRWIN Hex Key Sets are square cut for a secure fit, preventing slippage and stripping of the fasteners, and are built with chrome vanadium steel for high strength and durability. IRWIN Folding Hex Key Sets feature ergonomic handles, providing comfort and strength for driving. IRWIN L-Caddy Hex Key Sets come in a durable plastic container that holds the keys securely in place.



**Folding
Hex Keys**



**L-Caddy
Hex Keys**

Description	Length	Carded Item #	Pack Qty
11PC Short Arm Torx® Set	T6, T7, T8, T9, T10, T15, T20, T25, T27, T30, T40	2001396	6
13PC SAE Ball-End Long Arm Hex Key Set	0.050", 1/16", 5/64", 3/32", 7/64", 1/8", 9/64", 5/32", 3/16", 7/32", 1/4", 5/16", 3/8"	2001397	6
10PC Metric Ball-End Long Arm Hex Key Set	1.5mm, 2.0mm, 2.5mm, 3.0mm, 4.0mm, 5.0mm, 6.0mm, 7.0mm, 8.0mm, 10.0mm	2001398	6
7PC Metric Ball-End Folding Hex Key Set	2.0mm, 2.5mm, 3.0mm, 4.0mm, 5.0mm, 6.0mm, 8.0mm	2001402	6
9PC SAE Ball-End Folding Hex Key Set	5/64", 3/32", 7/64", 1/8", 9/64", 5/32", 3/16", 7/32", 1/4"	2001401	6
8PC Folding Torx® Set	T9, T10, T15, T20, T25, T27, T30, T40	2001405	6

PRECISION SCREWDRIVER SET

1. Ends of handles are stamped with tip type for easy identification
2. Spinning end cap enables quick and easy use
3. 5-Piece Precision Set includes:
SL 5/64", SL 3/32", SL 1/8", PH #00, PH #0 and case

Description	Item #	Shelf Pack Qty
5-Pc ProTQ PRCN SCDR Set	1949289	6



SCREWDRIVERS

BOTTLE OPENER

1. 3-Zone Comfort Grip maximizes comfort
2. Crafted with an acetate handle built for maximum durability

Description	Item #	Shelf Pack Qty
Bottle Opener	2021085	3

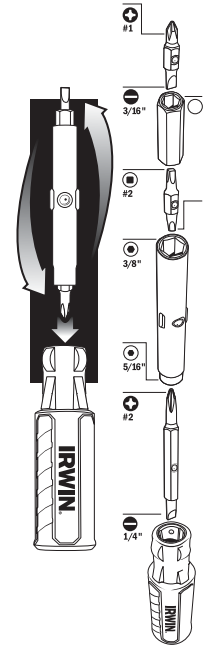
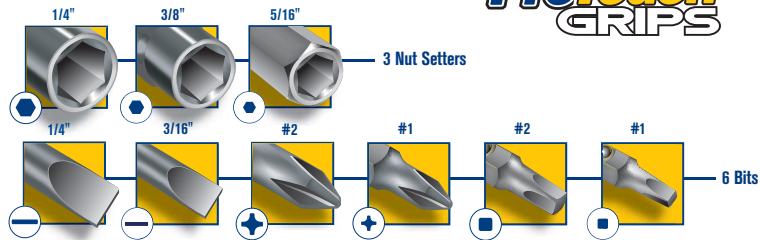
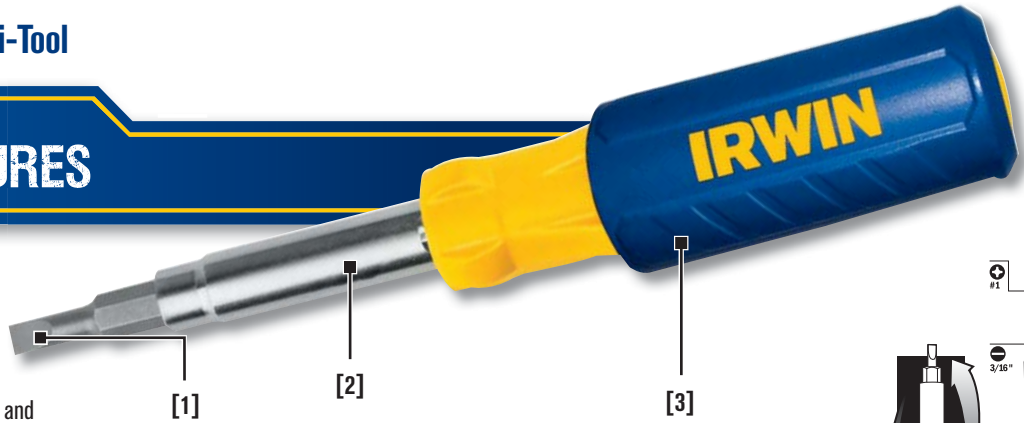


IRWIN 9-in-1 Multi-Tool

9-in-1 MULTI-TOOL

FEATURES

1. Nine (9) bits and nutsetters for use on a variety of fasteners.
2. Internal storage keeps bits and nutsetters locked in place and close at hand.
3. Ergonomic ProTouch™ grip provides maximum torque, comfort, and slip resistance.



Description	Item #	Pack Qty
9-in-1 Multi-Tool	2051100	6

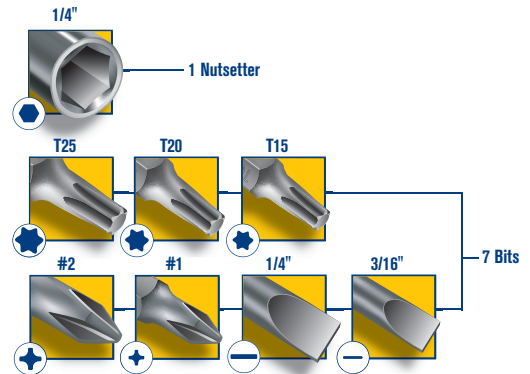
SCREWDRIVERS

IRWIN 8-in-1 Multi-Tool

8-in-1 MULTI-TOOL

FEATURES

1. Magnetic shank holds bits securely in place.
2. Internal storage keeps bits locked in place and close at hand.
3. Ergonomic ProTouch™ grip provides maximum torque, comfort, and slip resistance.



Description	Item #	Pack Qty
8-in-1 Multi-Tool	4935586	5

