

IRWIN®

Countersinks



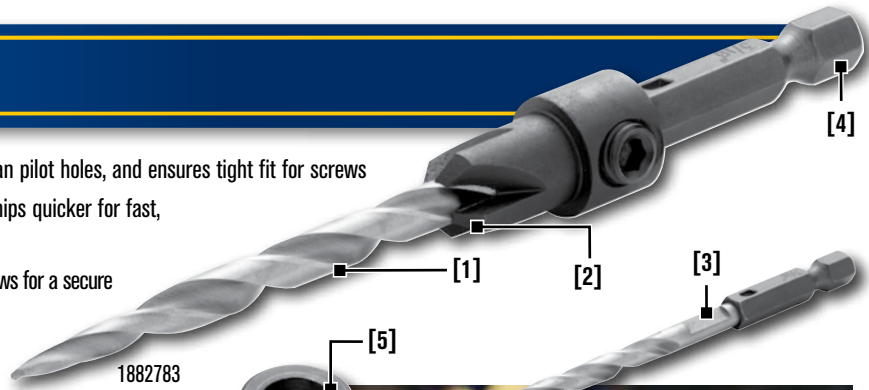
Wood Drilling

Countersink Bits

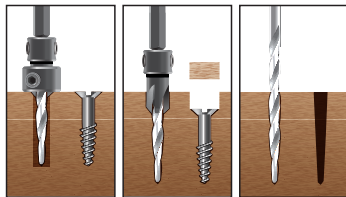
WOOD COUNTERSINK

FEATURES

1. Tapered drill with widened flutes for drilling fast, clean pilot holes, and ensures tight fit for screws
2. Adjustable four-cutter counterbore cuts and clears chips quicker for fast, smooth countersinking
3. Counterbore attaches to flats on shank with two hex screws for a secure fit, and can be adjusted for controlled pilot hole depth
4. 1/4" quick-change shank reduces slipping in standard chucks and is compatible with all 1/4" quick-change chucks, including impact drills
5. Adjustable stop collar attaches to counterbore with two hex screws for a secure fit and can be adjusted for desired counterbore depth (Included in sets only)



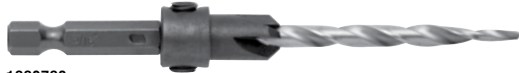
1882783



Countersink Counterbore Drill



Countersink Tools



1882783

Item #	Screw Size	Bit Diameter	Overall Length	Flute Length	Shank Size	Replacement Bit Item #	Counterbore Size	Plug Size	Size	Hex Key Size
Tapered Bits										
1882630	#4	7/64" (2,8mm)	3-3/8" (86mm)	1-1/2" (38mm)	1/4" Quick-Change	1882786	1/4"	1/4"	Small	1/8"
1882781	#6	9/64" (3,6mm)	3-5/8" (92,5mm)	1-3/4" (45mm)	1/4" Quick-Change	1882787	5/16"	5/16"	Small	1/8"
1882782	#8	11/64" (4,4mm)	4" (101,8mm)	2-1/8" (54mm)	1/4" Quick-Change	1882788	3/8"	3/8"	Small	1/8"
1882783	#10	3/16" (4,8mm)	4-1/4" (108,2mm)	2-5/16" (59mm)	1/4" Quick-Change	1882789	7/16"	7/16"	Small	1/8"
1882784	#12	7/32" (5,6mm)	4-1/2" (114,5mm)	2-1/2" (64,5mm)	1/4" Quick-Change	1882790	7/16"	7/16"	Large	1/8"
1882785	# 14	1/4" (6,4mm)	4-3/4" (120mm)	2-3/4" (70mm)	1/4" Quick-Change	1882791	1/2"	1/2"	Large	1/8"

Replacement Bits



1882789

Item #	Bit Diameter	Replacement Bit For
1882786	7/64" (2,8mm)	1882630
1882787	9/64" (3,6mm)	1882781
1882788	11/64" (4,4mm)	1882782
1882789	3/16" (4,8mm)	1882783
1882790	7/32" (5,6mm)	1882784
1882791	1/4" (6,4mm)	1882785

Sets

Description	Item #
4-Piece Set: #6, #8, #10, Small Depth Stop	1882793
8-Piece Set: #4, #6, #8, #10, #12, #14, Small Depth Stop, Large Depth Stop	1882792
19-Piece IMPACT Drill / Drive Set: #4, #6, #8, #10, Small Depth Stop, 14 Fastener Drive Bits	1890451



1882793



1882792

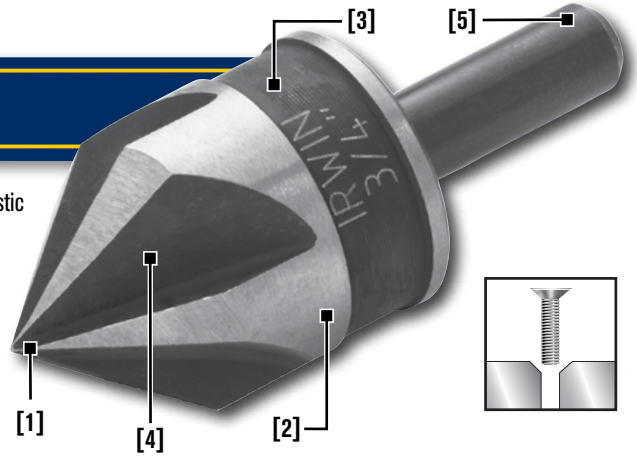


1890451

HSS COUNTERSINK

FEATURES

1. Precision ground 82° tip for countersinking most machinable metals, wood or plastic
2. Made from industrial grade high speed steel for increased durability
3. Includes a black oxide finish for added corrosion resistance
4. Five flute design reduces vibration for smoother drilling and extended life
5. 1/4" round shank fits all handheld and stationary drills



Item #	Bit Diameter	Overall Length	Flute Length	Shank Size
1877714	1/4"	1-17/32"	19/64"	1/4"
1877715	3/8"	1-5/8"	25/64"	1/4"
12411	1/2"	1-21/32"	15/32"	1/4"
12412	5/8"	1-23/32"	9/16"	1/4"
12413	3/4"	1-13/16"	5/8"	1/4"

Sets

Description	Item #
3-Piece Set: 1/2", 5/8", 3/4"	1877720
5-Piece Set: 1/4", 3/8", 1/2", 5/8", 3/4"	1877791
5-Piece Drawer Case Set: 1/4", 3/8", 1/2", 5/8", 3/4", Drawer Case	1877793



1877720



1877791



1877793

