



#8091
FLOW-THRU SYSTEM
W/ BRUSH AND VENTURI

Operator's Manual



MADE IN

USA

Cleans, Restores and Applies Solvents Under Pressure

LETTER FROM THE PRESIDENT OF IPA®

My name is Peter Vinci and I would like to thank you for your interest in our products. In today's world, we have all experienced the lack of service and consideration demonstrated by many companies after you buy their products. They say whatever they can to make the sale, and then it's like pulling teeth to get any service response out of them. I know this myself firsthand and because of this, I want to be sure that your experience with IPA® meets your expectations and that IPA® never disappoints you with our service or customer response.

To prove my commitment to you, if for any reason you are not happy with one of our products, or more importantly, with the response from our customer service department, or any other member of the IPA® team. Your satisfaction is more important to me than the sale itself. We will not be in business for long if we don't make you completely happy with our products and service. I want IPA® to be different and be known for its quality and service.

With that said, please take a look at our product line. You will see innovative, first-time tools that were created to help you do your job faster and better than before. I would also like to invite you to critique our products. If you can think of a better way to make them or changes that will make them work better, please contact me directly and I will be sure to look into it. If you have an innovation and would like some feedback, give me a call.

From all of us at IPA®, we thank you for taking the time to review our product line and wish you and your family the very best of everything.

IMPORTANT SAFETY INSTRUCTIONS

IT IS IMPORTANT TO READ, UNDERSTAND AND FOLLOW ALL SAFETY MESSAGES AND INSTRUCTIONS PRINTED IN THIS MANUAL AND ON THE EQUIPMENT BEFORE OPERATING. IF SAFETY INFORMATION IS NOT HEEDED, SERIOUS INJURY OR DEATH TO THE OPERATOR OR BYSTANDERS MAY OCCUR.

DANGER

Indicates a hazardous situation, if not avoided, will result in death or serious injury. The possible hazards are shown in the adjoining symbols or explained in the text.

WARNING

Indicates a hazardous situation, if not avoided, could result in death or serious injury. The possible hazards are shown in the adjoining symbols or explained in the text.

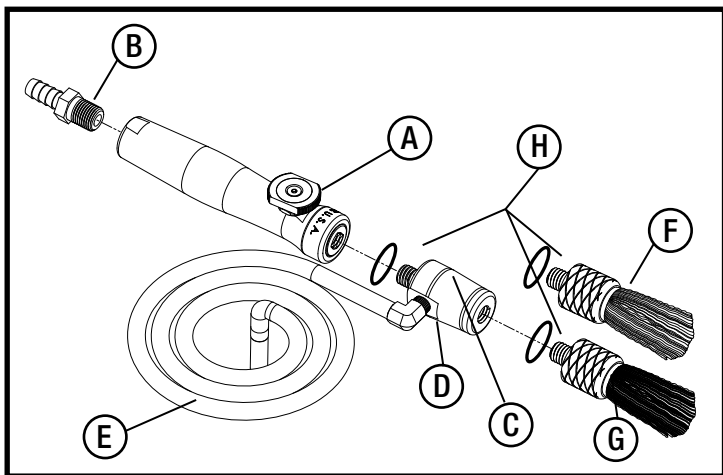
CAUTION

Indicates a hazardous situation, if not avoided, may result in minor or major injury. The possible hazards are shown in the adjoining symbols or explained in the text.



- Always wear safety glasses
- Always wear respirator
- **WARNING:** Risk of Explosion - **Do not use with gasoline and other volatile liquids.**
- **WARNING/DANGER!** DO NOT USE the venturi with volatile, or explosive chemicals such as gasoline, diesel, mineral spirits, etc. The air pressure will atomize the solvent which can explode, catch fire and be dangerous to breathe.
- **WARNING: NEVER SMOKE** or use this product around open flames or sources of ignition or spark.

WHAT'S INCLUDED



REPLACEMENT PART NUMBERS

	Part #	Description
A	#HDL0009-AS	Aluminum Handle with Flow-Valve and Magnet
B	#BRB-0009	¼" NPT x ⅜" Barbed Fitting
C	#8091-VNT-AS	Venturi Assembly
D	#8091-8	⅜" NPT ¼" Barb Swivel Fitting
E	#HS-FUELYLW6	6' Chemical Resistant Hose
F	#8091-1S-AS	Stainless Steel Flow-Thru Brush
G	#8091-1N-AS	Nylon Flow-Thru Brush
H	#8091-11	#110 Viton O-Ring .375" ID

INSTRUCTIONS

INTRODUCTION:

The **Flow-Thru System W/ Brush and Venturi** is a powerful and versatile product that features interchangeable components which can be configured for a variety of uses. Prior to using, please read the warnings.

Typical uses include: parts cleaning, wire brushing, removing rust/debris, and applying degreasers and various solvents. It is always recommended that you follow rigid safety standards while using this product. Safety glasses are always required, and a respirator is recommended when using with any types of chemicals.

- Ergonomic, anodized aluminum handle features an integrated flow control/shut-off valve and is made from quality components. It is rated for a maximum pressure of 175 psi and can be cleaned with paint thinner or other solvents. The input threads are ¼" NPT and the output is ⅝" x 20 straight-thread type. **DO NOT** attempt to screw fittings into the output threads unless they are the same thread type.

- **Hose Barb:** The supplied ¼" NPT x ⅝" hose barb can be inserted for use with a standard parts-cleaning sink adapter hose.

Quick Tip: Your standard shop air fitting may also slip fit into a parts-cleaning sink adapter hose. If so, you may choose to not use the supplied barb fitting.

- **Venturi:** For safety reasons, **ONLY USE THE VENTURI** with safe liquids such as organic cleaners/degreasers, water, etc. The supplied venturi comes attached to a 6' long hose. To use the venturi, attach shop air pressure to the input of the handle. Ensure that the valve is closed. Screw the venturi into the output end of the handle. Place hose into a container of solvent and slowly open the flow control valve. The venturi will quickly create a vacuum through the hose and suck up the solvent. Once the solvent meets with the air pressure, it will spray out of the end of the tool. You may choose to equip the end of the tool with a brush or simply use it as a spray gun/pressure washer.
- **Brushes:** Nylon and stainless steel brush attachments are both provided with this kit. Use the nylon brush on softer materials such as plastic, brass and aluminum. Use the stainless steel on harder surfaces or for severe debris and/or dirt.

TYPICAL USAGE EXAMPLES:

- 1. Degreasing:** Use venturi and air pressure to blast surfaces with degreaser. The air pressure combined with the degreaser and scrubbing action of the brush provides a superior cleaning than traditional methods.
Quick Tip: This does not have to be a messy job. Use the flow control valve and an air regulator to limit the amount of overspray while working.
- 2. Descaling and wire brushing:** Use with or without air pressure while brushing surfaces. The air pressure helps dislodge materials and move them away from the work area while you clean.
- 3. Rust converter and restoration work:** By combining brushing under air pressure and applying solvents, common jobs can be performed faster and more complete than ever. The air pressure helps to blast the solvents into hard-to-access areas that would otherwise go untouched.

CLEANING AND MAINTENANCE

The brush heads and valve components should be cleaned after usage to ensure maximum life of the tool. Rust converters and dirt may clog valves if left to sit. After use, flush with clean water or paint thinner when necessary. If possible, blow shop air through components to remove any solvents or debris before storage.

NOTES: Every component in the kit is designed to withstand standard shop chemicals. The materials used in this kit include anodized aluminum, stainless steel, nylon and nickel-plated brass components and fuel-rated hose. When possible, flush the system with water or use paint thinner to dislodge any solvents that may clog up the valve.

- **WARNING: DO NOT USE WITH DIESEL EXHAUST FLUID (DEF)**