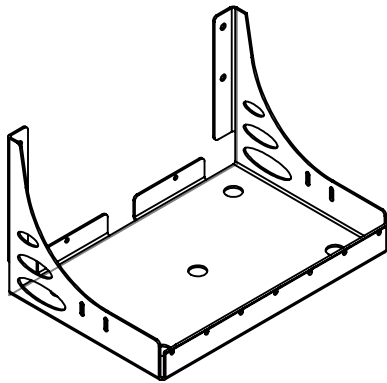
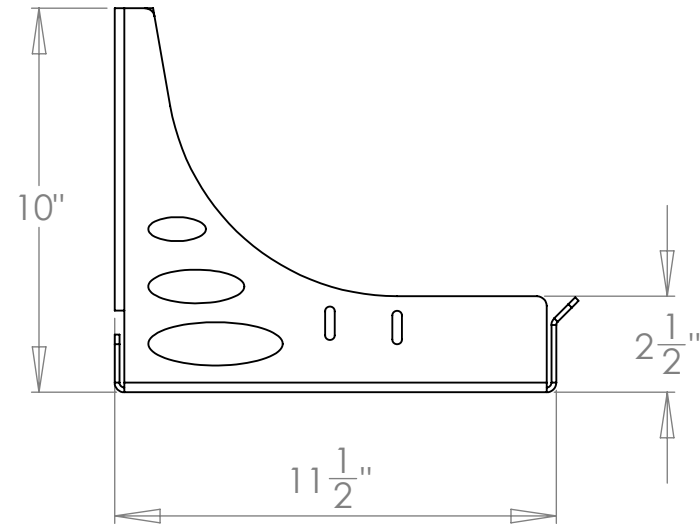
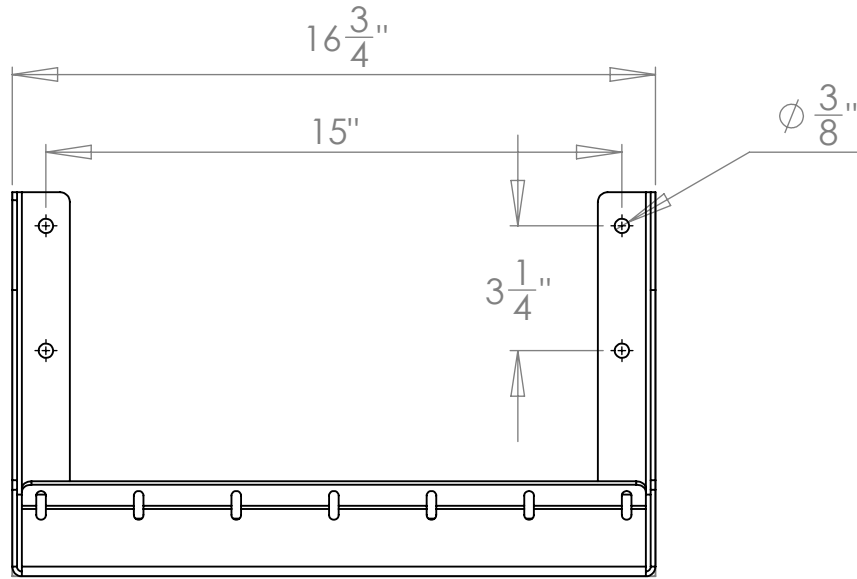


REV.	DESCRIPTION	DATE	APPROVED
------	-------------	------	----------



.125" 5052 Aluminum Sheet

DRAWN BY: KBH	DRAWN DATE: 7/31/2012	Inventive LLC In The Ditch Towing Products	
UNLESS OTHERWISE SPECIFIED:			
DIMENSIONS ARE IN INCHES TOLERANCES: FRACTIONAL $\pm 1/16"$ ANGULAR: MACH $\pm 0.25^\circ$ BEND $\pm 1.5^\circ$ TWO PLACE DECIMAL $\pm 0.020"$ THREE PLACE DECIMAL $\pm 0.005"$		PART NAME	
MATERIAL: See BOM		Universal Bracket	
DO NOT SCALE DRAWING		SIZE PART NO.	ITD1285
		SHEET SCALE 1:10	SHEET 1 of 1