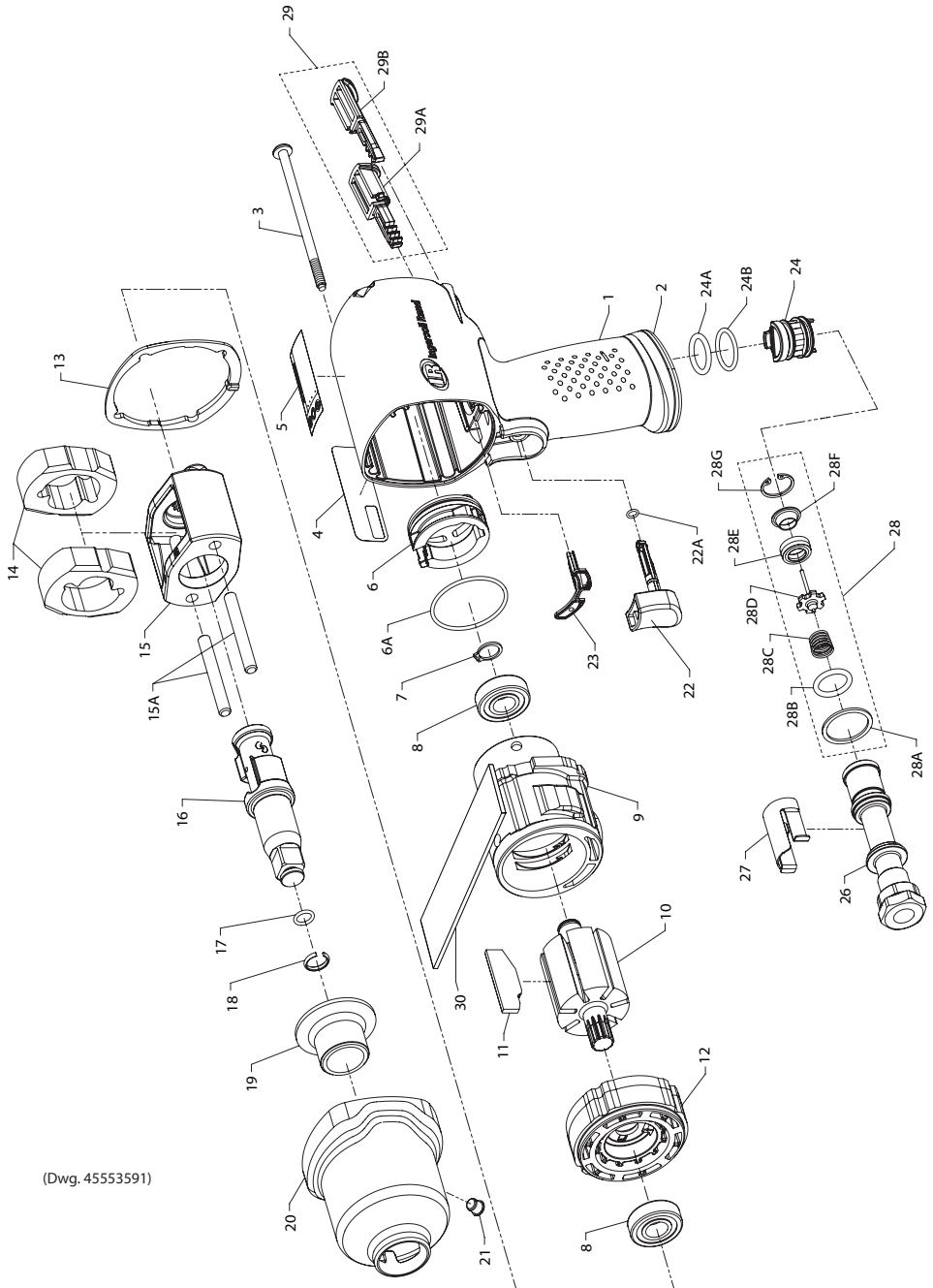


# 2135QXPA Series Air Impactool™ - Exploded View



(Dwg. 45553591)



## 2135QXPA Series Air Impactool™ - Parts List

Item	Part Description	Part Number	(CCN)	Item	Part Description	Part Number	(CCN)
*	Housing Assembly			18	Socket Retainer	---	---
	for model 2135QXPA	2135QXPA-A40	(47517917001)	19	Bushing, Hammer Case	2135-941	(80092927)
	for model 2135QXPA-2	2135QXPA-2-A40	(47517918001)	*	Hammer Case Assembly	2135QI-D727A	(4552288)
	for model 2135PQXPA	2135PQXPA-A40	(47518814001)	19	Bushing, Hammer Case	---	---
1	Housing	---	---	20	Hammer Case	---	---
2	Exhaust Deflector	---	---	21	Grease Fitting	---	---
4	Information Label	---	---	21	Grease Fitting	130SR-188	(03039930)
5	Warning Label	---	---	†*	Trigger Assembly	2135-D93	(80096704)
23	Gasket, Motor	---	---	22	Trigger	---	---
*	Reverse Valve Assembly	---	---	22A	O-Ring, Trigger	---	---
29	Button Kit	---	---	† 23	Gasket, Motor	2131-283	(04167623)
3	Screw, Hammer Case (4 required)	2135-638	(80101686)	*	Reverse Valve Assembly	2131-A329	---
4	Information Label			24	Reverse Valve	---	---
	for model 2135QXPA	2135QXPA-300	(47517923001)	24A	O-Ring, Reverse Valve (Top-Black)	---	---
	for model 2135QXPA-2	2135QXPA-2-300	(47517924001)	24B	O-Ring, Reverse Valve (Bottom-Blue)	---	---
	for model 2135PQXPA	2135PQXPA-300	(47518812001)	*	Inlet Bushing Assembly	2135-D565A	(4531787)
5	Warning Label	WARNING-2-99	(04203139)	26	Inlet Bushing	---	---
*	Power Regulator Assembly	2135-D249A	(45523628)	27	Inlet Clip	2131-57	(04167862)
6	Power Regulator	---	---	28	Inlet Parts Kit	2135-K303	(45335051)
6A	O-Ring, Power Regulator	---	---	28A	Washer	---	---
7	Retaining Ring	2131-6	(04194809)	28B	O-Ring, Seal	---	---
8	Ball Bearing (2 required)	2131-97	(04172813)	28C	Throttle Spring	---	---
9	Cylinder	2135-3	(45526183)	28D	Throttle Valve	---	---
10	Rotor	2135-53	(80100456)	28E	Valve Seat	---	---
† 11	Vane Pack (set of 7)	2135-42A-7	(04722211)	28F	Seat Support	---	---
12	End Plate	2131-11	(04167581)	28G	Retainer	---	---
† 13	Hammer Case Gasket	2135-36	(80096381)	29	Button Kit	2135-K75	(04722245)
*	Hammer Kit			29A	Forward Button	---	---
	for models 2135QXPA	2135-THK1	(80119571)	29B	Reverse Button	---	---
	for models 2135QXPA-2	2135-2-THK1	(80119662)	30	Silencer (for models 2135QXPA and 2135QXPA-2)	2131QT-311	(22040216)
	for model 2135PQXPA	2135PTI-THK1	(80122152)	*	Tune-Up Kit	2135-TK2	(45335028)
13	Hammer Case Gasket	---	---	6A	O-Ring, Power Regulator	---	---
14	Hammer (2)	231XP-724	(04678249)	7	Retaining Ring	---	---
15A	Hammer Pin (2)	---	---	8	Ball Bearing (2)	---	---
*	Anvil Assembly	---	---	11	Vane Pack (set of 7)	---	---
*	Kit Grease	---	---	13	Hammer Case Gasket	---	---
*	Hammer Frame Kit	2135-K703	(80119795)	17	O-Ring	---	---
15	Hammer Frame	---	---	18	Socket Retainer	---	---
15A	Hammer Pin (2)	---	---	22A	O-Ring, Trigger	---	---
*	Kit Grease	---	---	23	Gasket, Motor	---	---
*	Anvil Assembly			24A	O-Ring, Reverse Valve (Top-Black)	---	---
	for models 2135QXPA	231B-A626	(04646634)	24B	O-Ring, Reverse Valve (Bottom-Blue)	---	---
	for models 2135QXPA-2	231B-A414	(04682167)	28	Inlet Parts Kit	---	---
	for model 2135PQXPA	231B-A726	(04695656)	*	Inlet Clip Removal Tool	2131-322	(04263745)
16	Anvil	---	---	†*	Air Care Kit (grease gun, grease, oil)	115-LBK1	(04616108)
	Socket Retainer Kit	---	---	*	Grease (replacement tube for -LBK1)	115-4T	(04616157)
†*	Socket Retainer Kit			*	Air Tool Oil (4 oz. bottle)	1024	(03875671)
	for models 2135QXPA & 2135QXPA-2 (1/2" Ring-type) - Single piece	2125QTI-K425	(80107733)	*	Grease (1 lb can)	105-1LB	(04279147)
	for models 2135QXPA & 2135QXPA-2 (1/2" Ring-type) - 10 PACK	2125QTI-K425-10	(47517616001)	*	Grease (8 lb can)	105-8LB	(04264875)
	for model 2135PQXPA (1/2" Pin-type) - Single piece	2125PTI-K425	(80107725)	*	Grease Gun	R000A2-228	(03095015)
17	O-Ring or Socket Retainer Spring	---	---	*	Protective Tool Boot	2350-BOOT	(47498321)

\* Indicates not illustrated.

† Indicates common-wear parts. Maintain stock to reduce downtime.

## Parts and Maintenance

When tool life has expired, it is recommended that the tool be disassembled, degreased and parts separated by material for proper recycling.

Tool repair and maintenance should only be carried out by an authorized Service Center.

Refer all communications to the nearest **Ingersoll Rand** office or distributor.

## Related Documentation

Manuals can be downloaded from [ingersollrandproducts.com](http://ingersollrandproducts.com)

For additional information, refer to:

Product Safety Information Manual 04580916.

Product Information Manual 47517929.

Declaration of Conformity 47624113001 .



ingersollrandproducts.com

© 2018 Ingersoll Rand

47517930

Edition 5

January 2018