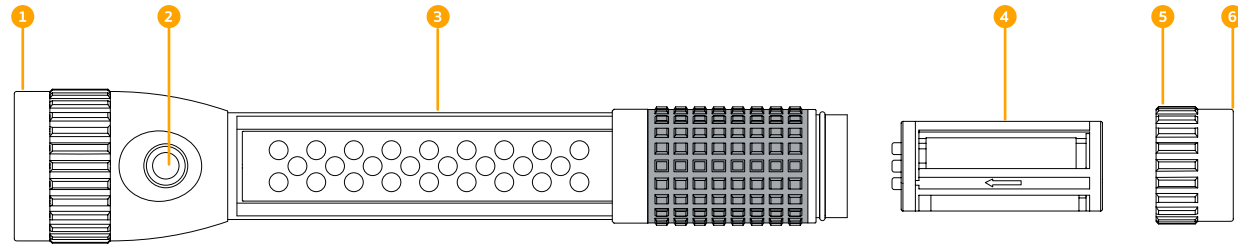


## 1. OVERVIEW <sup>(1)</sup>

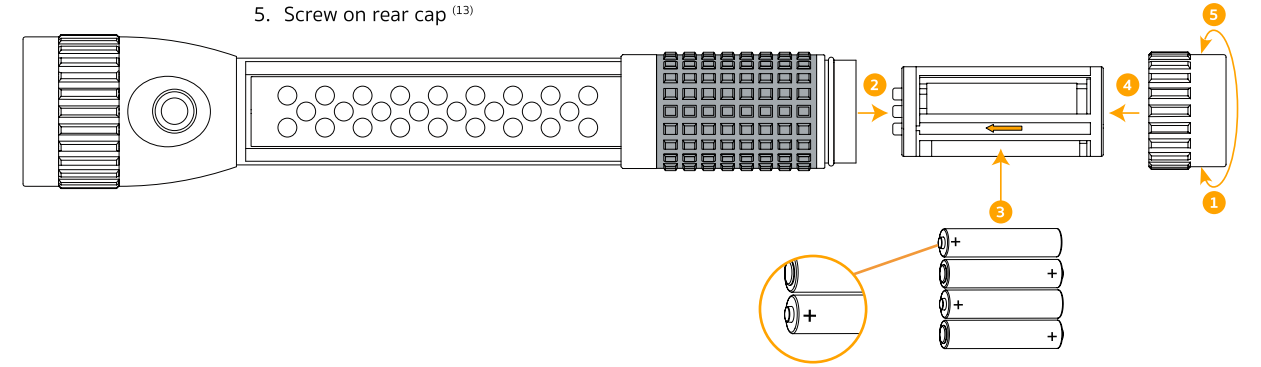


	HIGH	LOW	WORK LT.
	220 LUMENS	50 LUMENS	60 LUMENS
	5h	15h	12h

- 1 Main Flashlight <sup>(2)</sup>
- 2 On/off switch <sup>(3)</sup>
- 3 Work light/Red Strobe <sup>(4)</sup>
- 4 Battery tray <sup>(5)</sup>
- 5 Rear cap <sup>(6)</sup>
- 6 Magnetic base <sup>(7)</sup>

## 2. INSTALL BATTERIES <sup>(8)</sup>

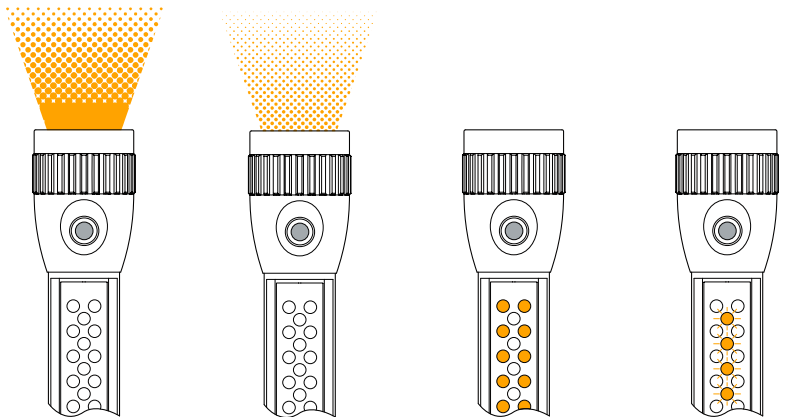
1. Remove rear cap <sup>(9)</sup>
2. Remove battery tray <sup>(10)</sup>
3. Insert 4 AAA batteries\* <sup>(11)</sup>
4. Insert battery tray (note arrow direction) <sup>(12)</sup>
5. Screw on rear cap <sup>(13)</sup>



\*Note battery polarity <sup>(14)</sup>

## 3. LIGHT MODES <sup>(15)</sup>

1. Press on/off switch to turn on, press to cycle modes. <sup>(16)</sup>
2. Hold 1 sec. to turn off at any part of cycle. <sup>(17)</sup>



Flashlight - High <sup>(18)</sup>

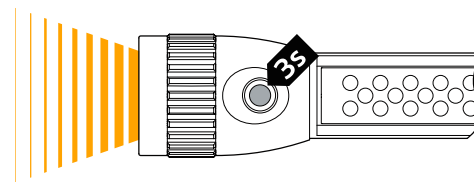
Flashlight - Low <sup>(19)</sup>

Work light <sup>(20)</sup>

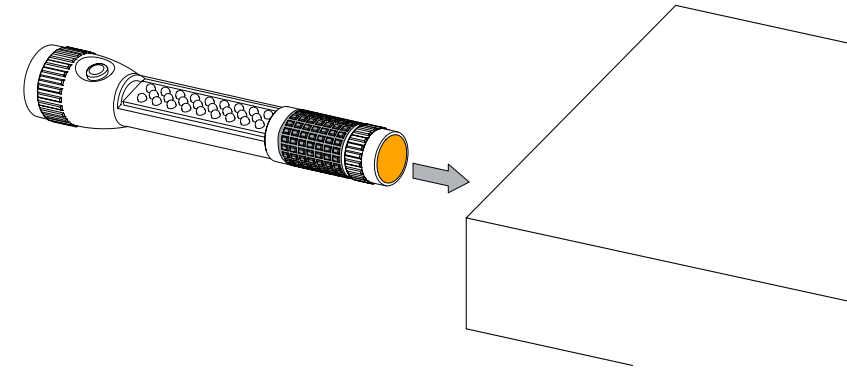
Red Strobe <sup>(21)</sup>

## 4. ADDITIONAL FEATURES <sup>(22)</sup>

1. **FAST OFF:** <sup>(23)</sup>  
After 5 seconds of use, press on/off switch once to turn off. <sup>(24)</sup>
2. **POWER LOCK:** <sup>(25)</sup>  
When light is off, press & hold on/off switch for 3 seconds. Light will change from on to off to signal LOCK. If switch is pressed in LOCK mode, light will flash 3 times. <sup>(26)</sup>
3. **UNLOCK:** <sup>(27)</sup>  
Press & hold on/off switch for 3 seconds. Light will change from off to on to signal UNLOCK. <sup>(28)</sup>



## 5. MAGNETIC BASE <sup>(29)</sup>



• The AutoAlert is equipped with a magnetic base. <sup>(30)</sup>

• Attach magnet to any ferrous (iron-containing) metal surface for hands-free lighting or to use as a roadside flare in "red strobe" mode. <sup>(31)</sup>

## 6. TROUBLESHOOT <sup>(32)</sup>

**If the light does not work:** <sup>(33)</sup>

1. Check battery orientation <sup>(34)</sup>
2. Replace batteries <sup>(35)</sup>
3. Check contacts for proper connection. If corrosion is present, clean contacts. <sup>(36)</sup>
4. Work the switch several times <sup>(37)</sup>

