

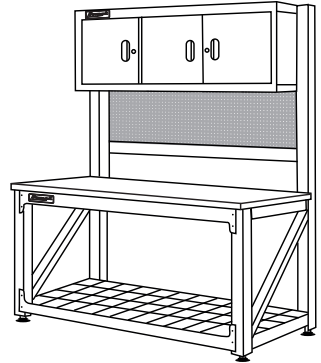
Homak

professional

OWNER'S MANUAL & OPERATING INSTRUCTIONS

59" GARAGE SERIES 3 DOOR WORKSTATION

MODEL
GS00659031



Homak Manufacturing



WARNING:

1. Close and lock doors before moving.
2. Do not stand on the product. You may fall which may cause personal injury.
3. Do not climb on, in or around. IT MAY TIP OVER! Keep away from children.
4. Read all instructions and safety tips before using this product.
5. For indoor use only.

THANK YOU FOR PURCHASING A HOMAK UNIT. WE APPRECIATE YOUR BUSINESS.

Congratulations on your new purchase!

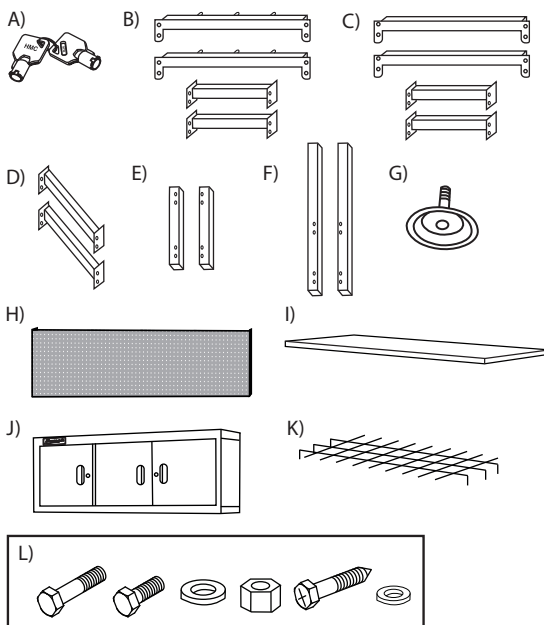
Before operating your unit, please read the following carefully:

KEEP INSTRUCTION MANUAL IN A SAFE PLACE UPON OPENING YOUR NEW UNIT.

1. Before assembling parts, please check the parts quantity according to the PARTS LIST.
2. Carefully unpack and spread out all parts in a large uncluttered area.
3. Familiarize yourself with all parts and compare them with the drawing below to make sure none are missing. Read all assembly instructions before beginning.

PARTS LIST

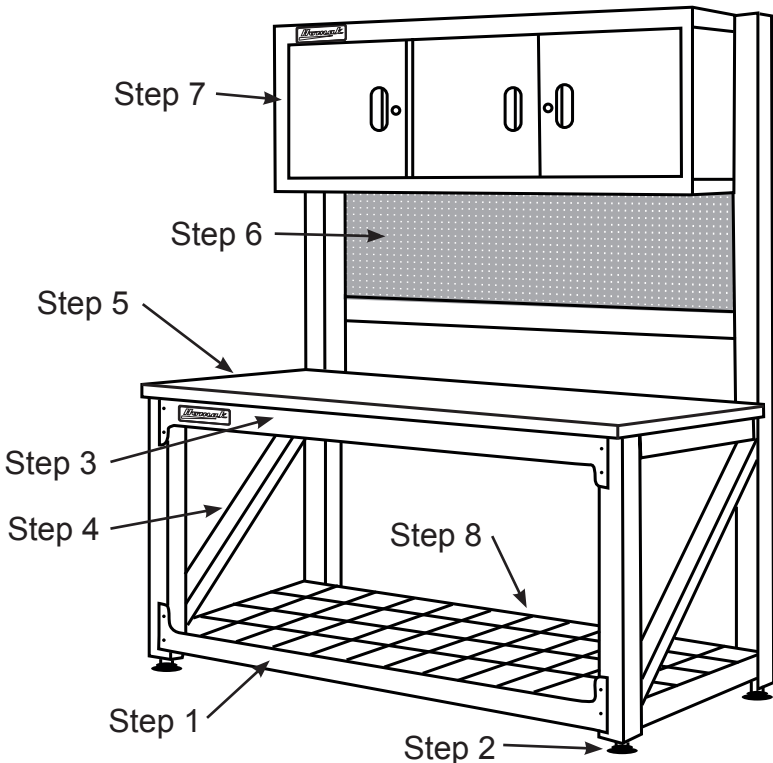
- A) Keys
- B) 4 Top Cross Pieces
- C) 4 Bottom Cross Pieces
- D) 2 Diagonal Leg Supports
- E) 2 Front Short Legs
- F) 2 Back Long Legs
- G) 4 Leg Levelers
- H) Pegboard Backsplash
- I) Wood Top
- J) Door Section
- K) Grated Metal Shelf
- L) Hardware Package
 - 8 Long Bolts
 - 36 Short Bolts
 - 52 Washers
 - 8 Nuts
 - 6 Wood Screws and
 - 6 Washers



ASSEMBLY

* We recommend that TWO PEOPLE work together on the assembly, due to the weight of this workstation. Workstation weight is approximately 180 lbs, please be careful during assembly.

- 1) Connect bottom cross pieces (Part C) to the bottom of the legs (Part E & F). 4 bottom cross pieces use 8 long bolts, 16 washers and 8 nuts.
- 2) Install leg levelers (Part G).
- 3) Connect upper cross pieces (Part B) to the legs using 16 bolts and 16 washers.
- 4) Connect diagonal cross pieces (Part D) using 8 short bolts, 8 washers.
- 5) Attach wood top (Part I) using the 6 wood screws.
- 6) Connect the perforated backsplash (part H) using 6 bolts and 6 washers.
- 7) Attach Doors (Part J) using remaining hardware (6 bolts, 6 washers).
- 8) Metal grated shelf (Part K) rests on the bottom cross pieces.



Learn more about workbenches we have.