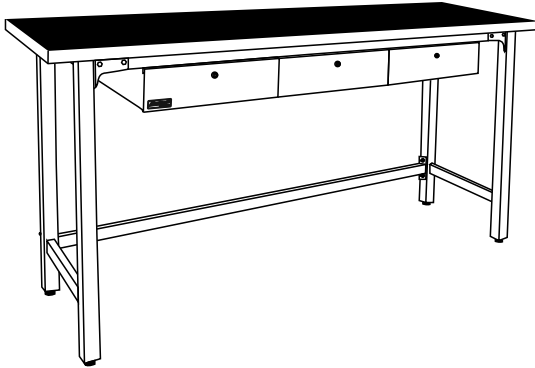


Howak

SE Series



MANUAL & OPERATING INSTRUCTIONS

**GARAGE SERIES STEEL WORKBENCH
WITH 3 DRAWERS & WOOD TOP**

GS00579030

THANK YOU FOR PURCHASING A HOMAK GARAGE SERIES UNIT. WE APPRECIATE YOUR BUSINESS.

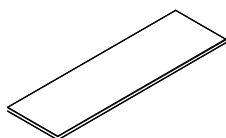
Congratulations on your new purchase!

Before operating your unit, please read carefully the following:

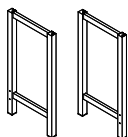
**KEEP INSTRUCTION MANUAL IN A SAFE PLACE UPON
OPENING YOUR NEW UNIT.**

-
1. Before assembling parts, please check the parts quantity according to the PARTS LIST.
 2. Carefully unpack and spread out all parts in a large uncluttered area.
 3. Familiarize yourself with all parts and compare them with the drawing below to make sure none are missing. Read all assembly instructions before beginning.
 4. Start assembly of cabinet following steps 1 to 6 as shown in drawings.

PARTS LIST



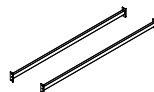
A) 1 Bench top part



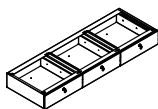
B) 2 Bench Legs



C) 2 Crosspieces



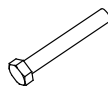
D) 2 Crosspieces



E) Components of drawer



F) 4 Adjustable
Leg Levellers



G) Bolts:
M8x16 (16+1 PCS)
M8X40 (8 PCS)
M8X70 (4 PCS)



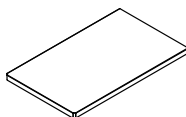
H) Washer
(28+2 PCS)



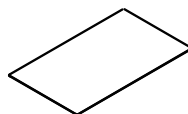
I) Hex Head
Screws (6 PCS)



J) M8 Nut
(12+1 PCS)



K) Aluminium

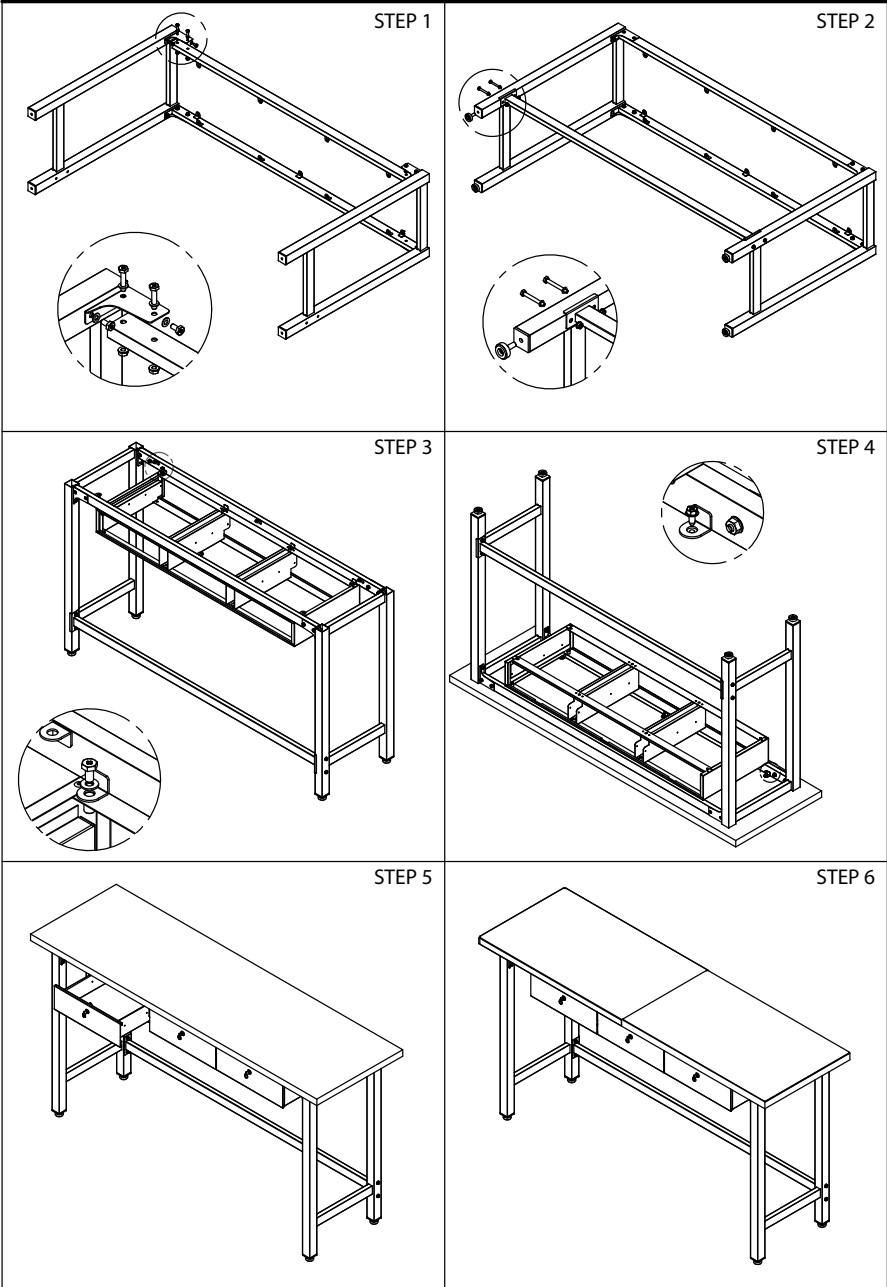


L) Rubber Mat



L) 4 Corner Braces

ASSEMBLY



During assembly do not tighten bolts until all components are aligned properly, then tighten fully.

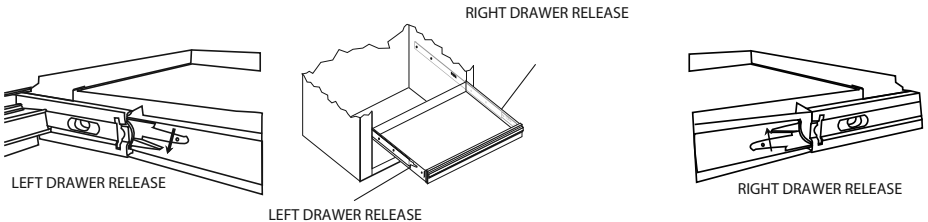
MAINTENANCE

Ball-Bearing Slides

Note: Unload drawer prior to drawer removal.

Never overload drawers.

To remove drawers and slides, pull drawer all the way out, depress the black drawer release levers on each slide. For ball-bearing glides, there is one black lever per slide. One black lever will be pushed down and the other will be pushed up for drawer removal. After levers are pushed, the drawer is released. Pull out drawer all the way for removal.



To re-install the drawer, insert guides on drawer side into slides and firmly close drawer all the way.

To maintain the smooth and quiet operation of the ball-bearing slides, lubricate the extension track that houses the ball bearings every 3-6 months with a high quality jelly-like petroleum based lubricant.

Powder Coat Finish

For heavy build-up of dirt and grime, our powder coat paint finish can be cleaned with WD-40 or Murphy's Oil Soap using a soft cloth when needed.

Window cleaner and a soft cloth dampened with water can be used to clean the finish on a regular basis.

Customer Satisfaction

All mechanical parts are inspected and adjusted for proper use before shipment; however, mechanisms such as drawer slides and locks may shift during transit.