

herkules™

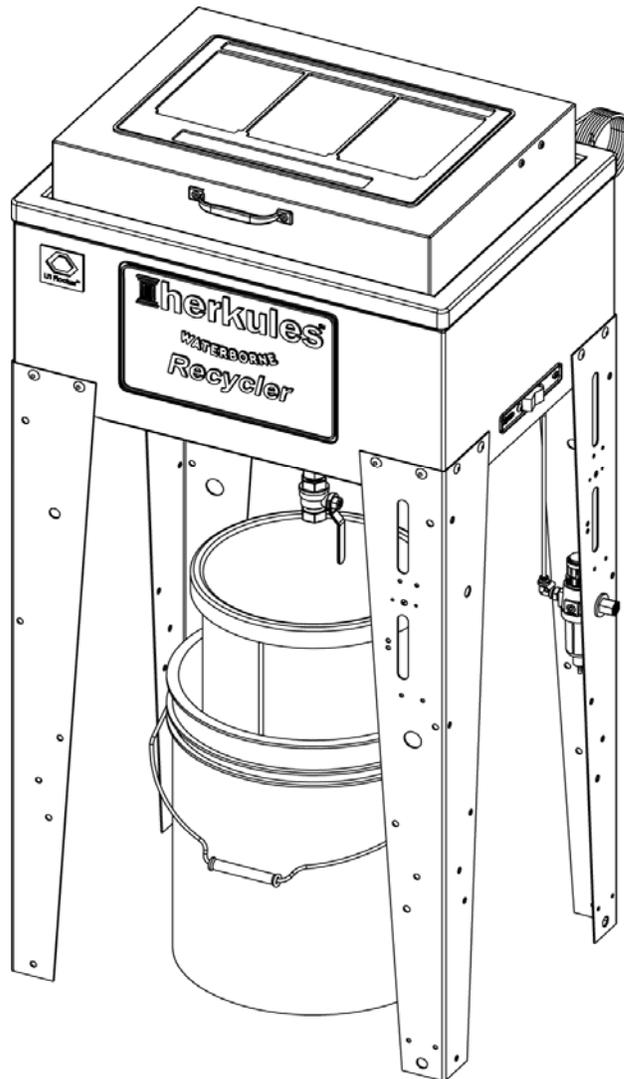
R500

OWNER'S MANUAL



This manual contains important information concerning the installation and operation of the equipment listed above. Read manual thoroughly and keep for future reference

INSTRUCTIONS





WARNING



EQUIPMENT MISUSE HAZARD

Equipment misuse can cause the equipment to rupture, malfunction, or start unexpectedly and result in serious injury.

- This equipment is for professional use only.
- Read all instruction manuals, tags, and labels before operating the equipment.
- Use the equipment only for its intended use.
- Do not alter or modify this equipment.
- Do not exceed the maximum working pressure of the lowest rated system component.
- Route the hoses away from traffic areas, sharp edges, moving parts, and hot surfaces.
- Do not use the hoses to pull the equipment.
- Do not move pressurized equipment.
- Comply with all applicable local, state and national fire, electrical and other safety regulation.



PRESSURIZED EQUIPMENT HAZARD

Spray from hose leaks or ruptured components can splash fluid in the eyes or on the skin and cause serious injury.

- Do not stop or deflect fluid leaks with your hand, body, glove, or rag.
- Tighten all fluid connections before operating the equipment.
- Replace worn, damaged, or loose parts immediately.



WARNING



FIRE AND EXPLOSION HAZARD



Improper grounding, poor air ventilation, open flames, or sparks can cause a hazardous condition and result in fire or explosion and serious injury.

- Ground the equipment. See Installation for grounding procedure.
- Provide fresh air ventilation to avoid the build up of fumes.
- Extinguish all open flames or pilot lights in the Recycler area.
- Disconnect all electrical equipment in the Recycler area.
- Keep the Recycler area free of debris, including cleaning solutions, rags, and gasoline.
- Do not turn on any light switch in the Recycler area while operating or if fumes are present.
- Do not smoke in the Recycler area.
- Do not operate a gasoline engine in the Recycler area.
- If there is any static sparking while using the equipment, **stop operation immediately**. Identify and correct the problem.

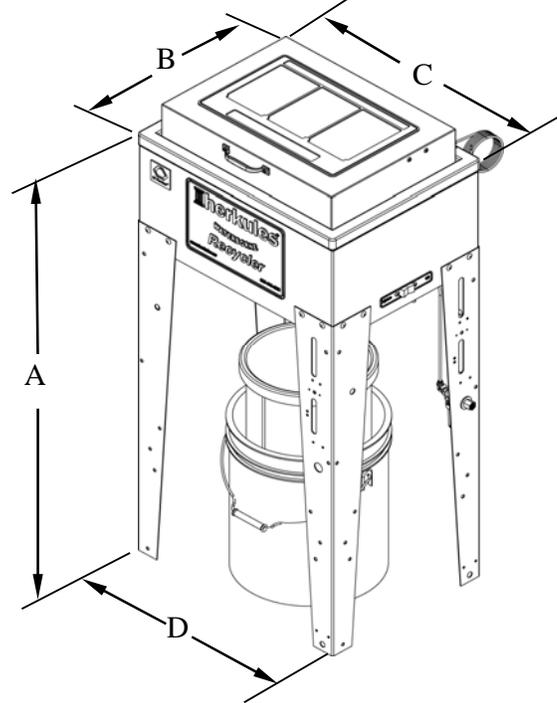


TOXIC FLUID HAZARD

Hazardous fluids or toxic fumes can cause serious injury or death if splashed in eyes or on the skin, swallowed, or inhaled.

- Know the specific hazards of the fluid you are using. Read the fluid manufacturer's warnings.
- Store hazardous fluid in an approved container. Dispose of hazardous fluid according to all local, state and national guidelines.
- Wear the appropriate protective clothing, gloves, eyewear and respirator.

Model Information



NOTE: Dimensions listed are overall measurements.

Model	Description	Weight lbs/(kg)	Dimensions in./(mm)			
			A	B	C	D
R500	Waterborne Recycler Manual	44 (20)	39.7 (1009)	16.2 (411)	20.5 (521)	20.4 (516)

Installation

Installing the Recycler

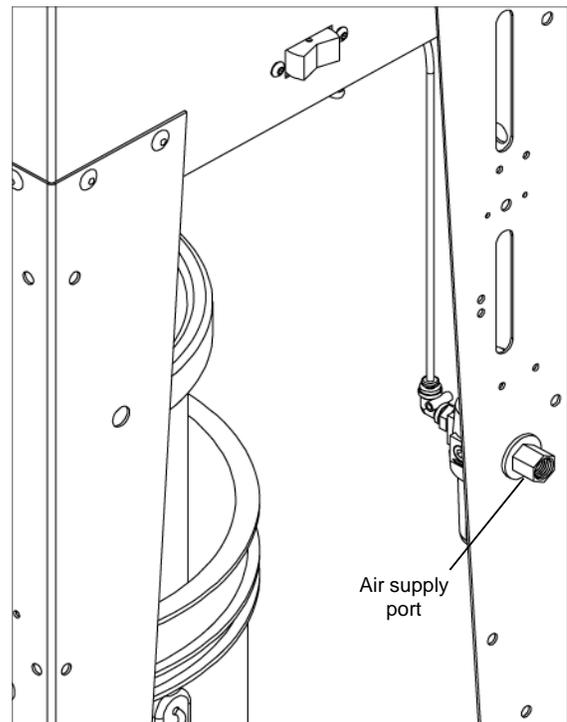
- 1) Place recycler on a level surface in a properly ventilated paint mixing room or paint booth.

Grounding the Recycler

- 1) Connect the ground wire on the Recycler's lid to a true earth ground.
- 2) Ground all equipment used or located in the Recycler area.

Connecting the air line

- 1) Install a 1/4 in. npt male coupler, that is compatible with the quick disconnect of your air supply line, into the air supply port of the filter/regulator located on the back right leg.
- 2) Connect air line with at least 75 psi to the coupler. Filter/regulator is preset. Do not adjust.



Operation

Filtering dirty water

- 1) Pour the dirty paint mixture to be recycled into the tank. Do **not** exceed the 5 gallon capacity of the tank.
- 2) Add flocculant / coagulant to the dirty paint mixture. (Herkules CoAgent P/N CA01 recommended).

Note: Contact local distributor to purchase flocculant/coagulant. Amount of flocculant/coagulant required will vary depending on the brand of flocculant being used.

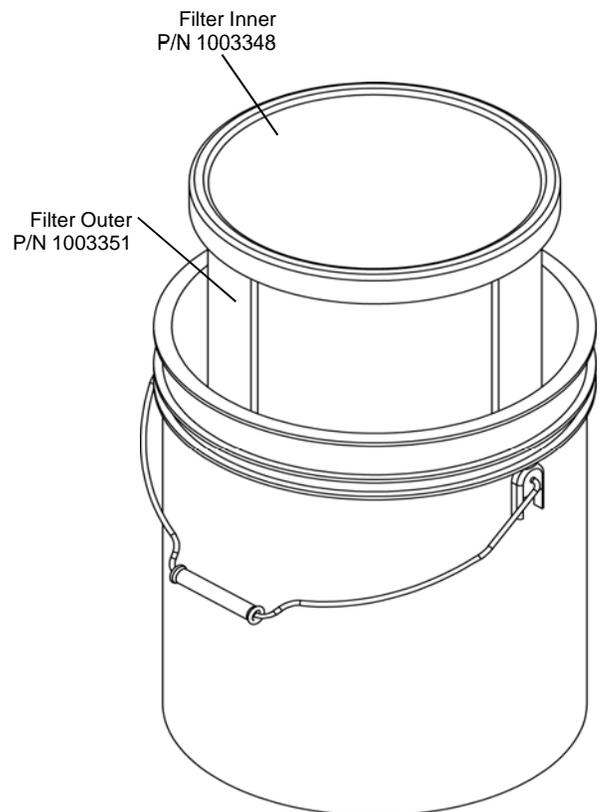
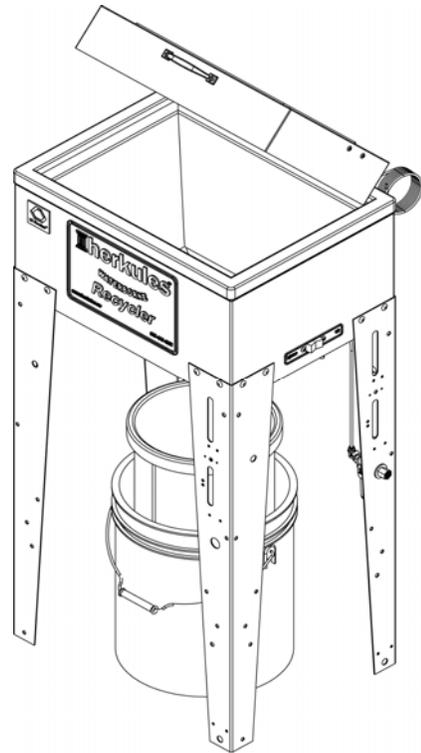
- 3) If using Herkules CoAgent P/N CA01, add 1 tablespoon per 5 gallons of dirty paint mixture.
- 4) Set the switch on the side of the Recycler to Agitator. Stir mixture for 30 seconds during agitation. Allow the dirty paint mixture / flocculant mix to agitate for 30 to 120 seconds (dependent upon quality of flocculant). Let the mixture sit for 30 seconds. Return the agitator switch to the Off position.

Note: Repeat process if adequate separation does not occur (dependent upon quality of flocculant).

- 5) Open the ball valve to allow the mixture to drain through the filter bags. The filter bags capture the paint debris, and the bucket captures the filtered cleaning solution / water mixture that can be reused for cleaning.

Note: Reuse the cleaning solution / water mixture until it becomes tacky to the touch. Dispose of all waste materials according to local, state, and federal regulations.

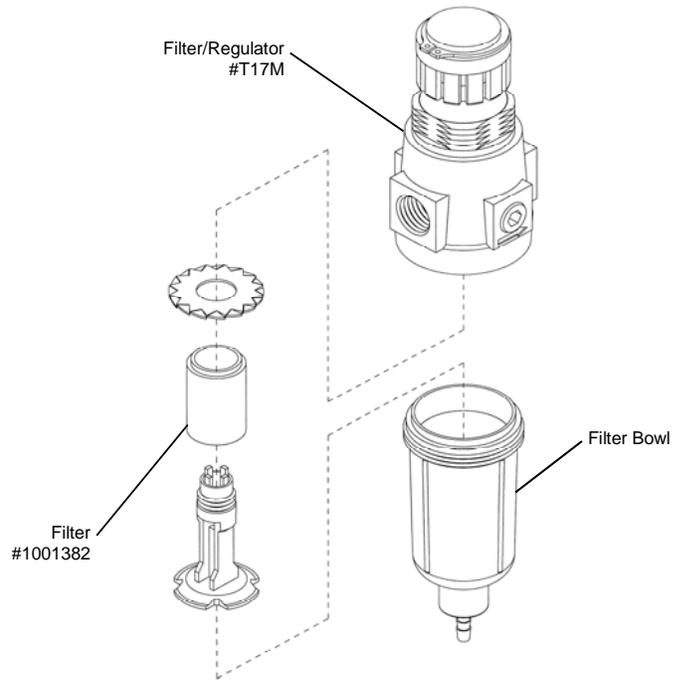
- 6) Empty the paint waste out of the inner filter. Place inner filter back on the filter holder for up to 10 uses.
Note: place solid waste onto a piece of cardboard to finish drying. This will speed the process as the cardboard will absorb the moisture from the paint debris.
- 7) Close the ball valve. Replace filter bags (P/N 1003348 & P/N 1003351) as needed.
- 8) Dispose of all waste materials according to all local, state, and federal regulations.
- 9) Wipe inner tank after each use.



Preventive Maintenance

- 1) Drain water from regulator weekly if you do not have quality dry air.
- 2) Remove the filter bowl from the regulator and check for excess buildup approx. every 6 months. Replace filter if dirty.
- 3) Change cleaning solution / water mixture when objects being cleaned become tacky to the touch.
- 4) Clean inside of tank.

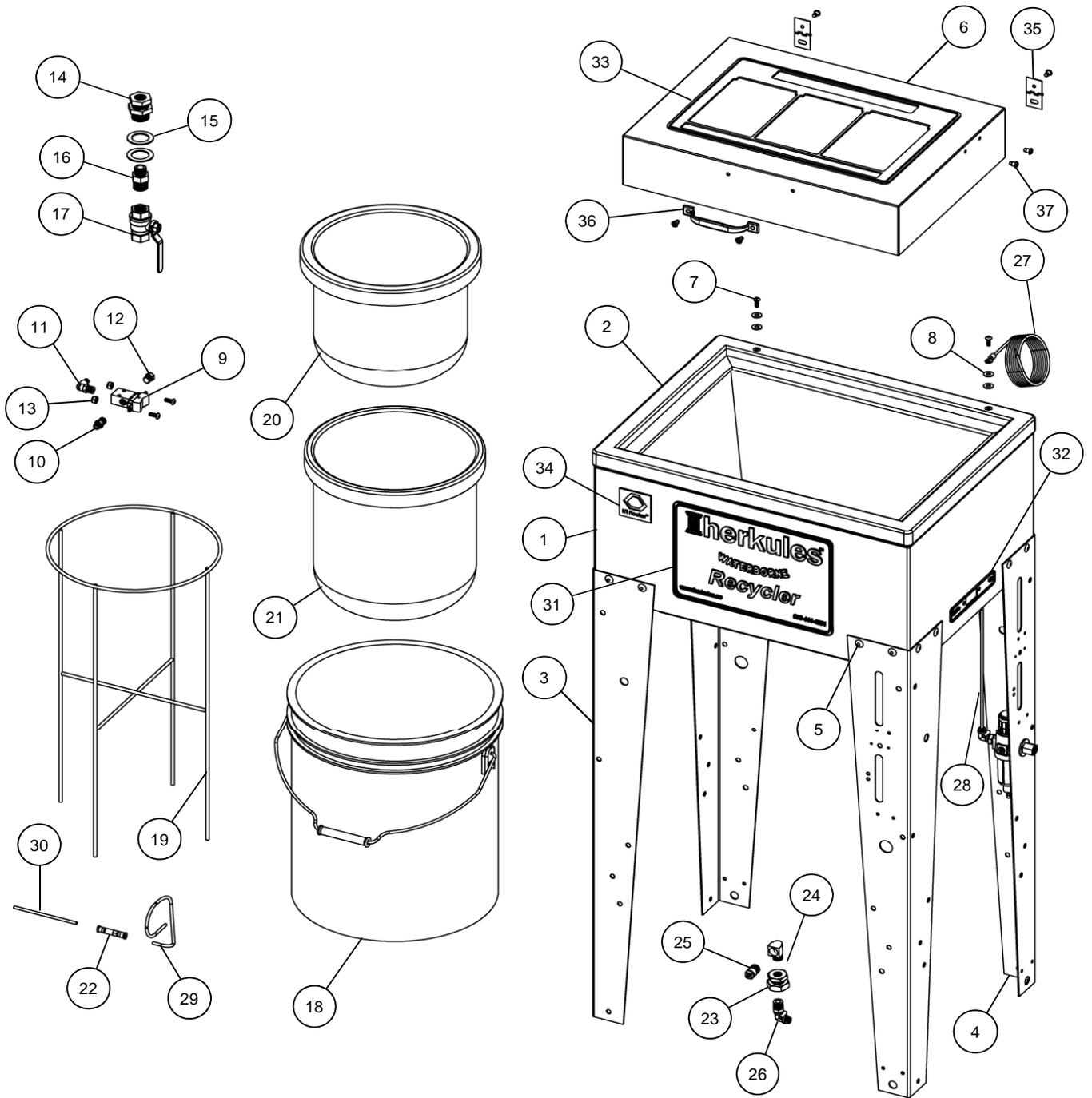
 CAUTION
<p>Do not change the setting of the filter/regulator. This could damage the filter/regulator.</p>



Troubleshooting

Problem	Possible Solution
Agitator doesn't work	<ol style="list-style-type: none"> 1 Make sure air is connected to Recycler. 2 Make sure all air lines are attached. 3 Check to make sure there are no kinks in the air lines. 4 Make sure the switch on the side is set to Agitator.

R500 Parts Layout



R500 Parts Layout

	Part #	Description	Quantity	
1	1002795	Stand Frame	1	EA
2	1-MINI-BLUE	Tub	1	EA
3	1002378	Leg	3	EA
4	14570	Leg Assembly with Regulator	1	EA
5	1003597	Rivet 1/4 X 1/2 Aluminum Blind	16	EA
6	12132	Lid	1	EA
7	1002546	Screw BHSC 10-24 x 1/2	2	EA
8	002-161	Flat Washer #10	4	EA
9	1002912	Toggle valve	1	EA
10	T4	Hose Fitting 5/32 X 1/8 NPT	1	EA
11	002-129	Hose Fitting 90° 5/32 x 1/8 NPT	1	EA
12	59	Plug Hex 1/8 NPT Brass	1	EA
13	005-137	Nut Nylock 10-24 Z	2	EA
14	1002644	Bulkhead 1 - Brass	1	EA
15	85B	Washer 1-1/2 x 1 Nylon	2	EA
16	62	Reducer 1/2 NPT X 3/8 NPT	1	EA
17	6	Ball Valve	1	EA
18	1002914	Bucket	1	EA
19	1002967	Filter mount frame	1	EA
20	1003348	Filter inner	1	EA
21	1003351	Filter outer	1	EA
22	1000524	Check Ball Inline For 5/32 Hose	1	EA
23	1002643	Bulkhead 3/4 - Brass	1	EA
24	1002779	Elbow Street 1/4 NPT Brass	1	EA
25	002-134	Nozzle 1/4 NPTM Brass	1	EA
26	T25	Fitting PTC 90D Swivel 5/32 T x 1/4 NPT	1	EA
27	002-120A-72	Grounding Wire x 72" Long	1	EA
28	M5	Tube 5/32 Nylon Blue	17	IN
29	M5	Tube 5/32 Nylon Blue	15	IN
30	M5	Tube 5/32 Nylon Blue	4	IN
31	1004392	Sticker Front Recycler GWR	1	EA
32	1004425	Sticker Agitator/Off Toggle	1	EA
33	1004423	Sticker Top Lid Recycler GWR	1	EA
34	1004400	Decal Herkules R500 Brand	1	EA
35	39C	Hinge	2	EA
36	10A	Handle	1	EA
37	14C	Rivet 3/16 x 1/2 Aluminum	6	EA

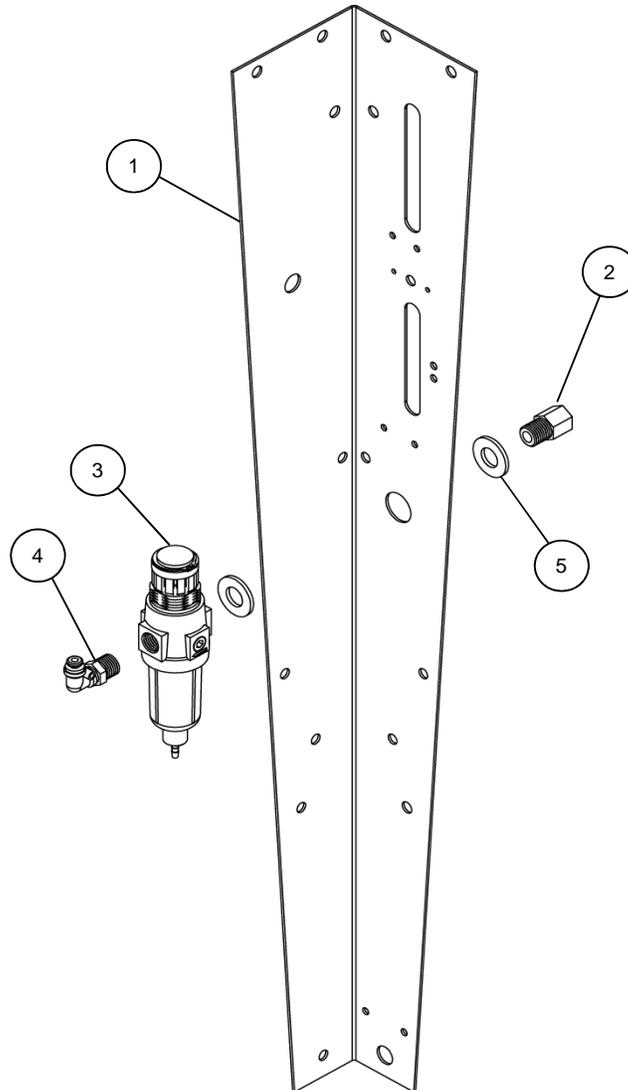
See pg. 10

Consumables Replacement Options

1	13835	Inner Filter Replacement - 5 Pack	1	EA
2	13836	Outer Filter Replacement - 5 Pack	1	EA
3	CA01	CoAgent Flocculant 2 kg	1	EA

Note: For parts shown but not identified refer to assembly layouts on page 10

R500 Leg Layout



Part #	Description	Quantity
1	1002378 Leg	1 EA
2	67 Adaptor 1/4 NPT Brass	1 EA
3	T17M Filter / Regulator	1 EA
4	T25 Fitting PTC 90 Degree Swivel 5/32 T x 1/4 NPT	1 EA
5	85D Flat Washer 1/2 SAE Zinc	2 EA

Note: Parts are shown for reference purposes only and are not necessarily part of a Herkules assembly.

Discover other paint spray guns and accessories on our website.