

G507



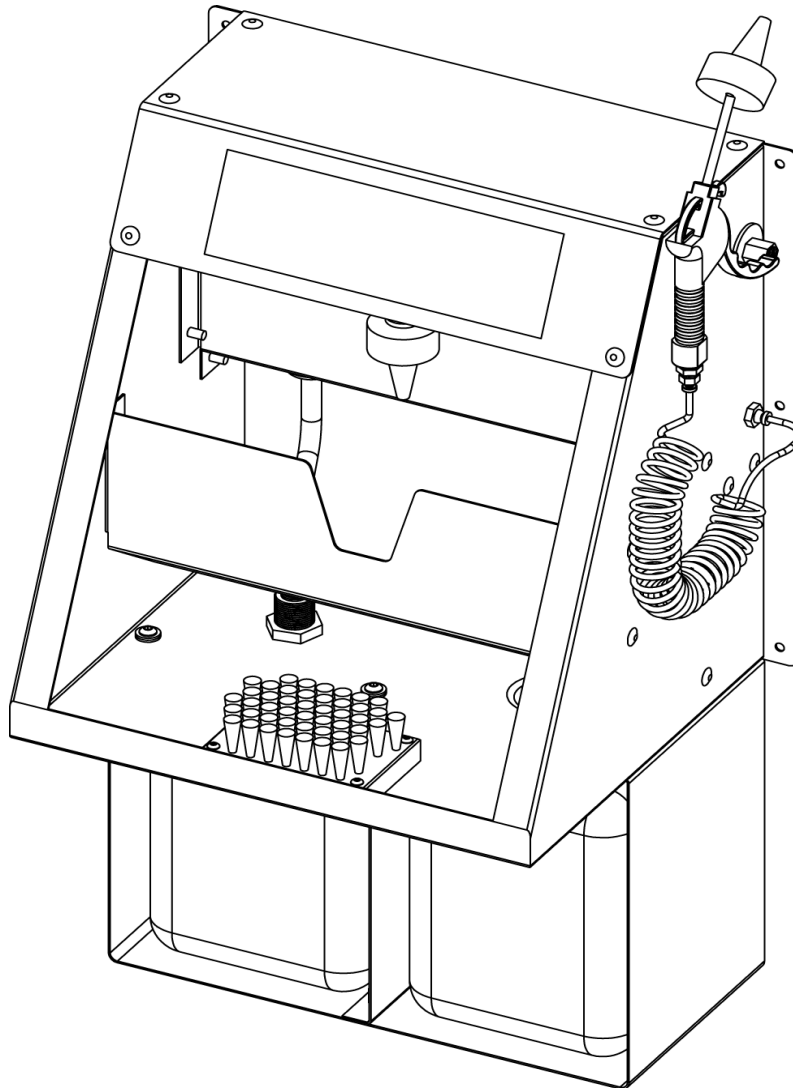
Made in USA

OWNER'S MANUAL



This manual contains important information concerning the installation and operation of the gun washers listed above. Read manual thoroughly and keep for future reference.

INSTRUCTIONS



Herkules Patent Numbers

These products have patent protection under one or more of the following patent numbers:

9422142, 8733508, 8714524, 866247, 8052120,
7070167, 5485860, 5193561, 5174317,
4960142, 4793369 and Patents Pending

Table of Contents

Warnings 3-4

Model Information 5

Installation 5

Operation 6

Troubleshooting 7

Drawings with part lists: 8-12

G507 Schematic 13

Warning Symbol



This symbol alerts you to the possibility of serious injury or death if you do not follow the instructions.

Caution Symbol



This symbol alerts you to the possibility of damage to or destruction of equipment if you do not follow the instructions.

Serial Number _____

Model Number _____

Purchase Date _____

Distributor _____

Herkules Patent Numbers
These products have patent protection under one or more of the following patent numbers:
9422142, 8733508, 8714524, 866247, 8052120, 7070167, 5485860, 5193561, 5174317, 4960142, 4793369 and Patents Pending



WARNING



EQUIPMENT MISUSE HAZARD

Equipment misuse can cause the equipment to rupture, malfunction, or start unexpectedly and result in serious injury.

- This equipment is for professional use only.
- Read all instruction manuals, tags, and labels before operating the equipment.
- Use the equipment only for its intended use.
- Do not alter or modify this equipment.
- Do not exceed the maximum working pressure of the lowest rated system component.
- Do not operate the gun washer at a pressure above the maximum working pressure rating of the gun(s) being cleaned.
- Route the hoses away from traffic areas, sharp edges, moving parts, and hot surfaces.
- Do not use the hoses to pull the equipment.
- Do not move pressurized equipment.
- Comply with all applicable local, state and national fire, electrical and other safety regulation.



PRESSURIZED EQUIPMENT HAZARD

Spray from hose leaks or ruptured components can splash fluid in the eyes or on the skin and cause serious injury.

- Do not stop or deflect fluid leaks with your hand, body, glove, or rag.
- Tighten all fluid connections before operating the equipment.
- Replace worn, damaged, or loose parts immediately.



WARNING



FIRE AND EXPLOSION HAZARD



Improper grounding, poor air ventilation, open flames, or sparks can cause a hazardous condition and result in fire or explosion and serious injury.

- Ground the equipment. See **Installation** for grounding procedure.
- Provide fresh air ventilation to avoid the build up of fumes.
- Extinguish all open flames or pilot lights in the gun washer area.
- Disconnect all electrical equipment in the gun washer area.
- Keep the gun washer area free of debris, including cleaning solutions, rags, and gasoline.
- Do not turn on any light switch in the gun washer area while operating, or if fumes are present.
- Do not smoke in the gun washer area.
- Do not operate a gasoline engine in the gun washer area.
- If there is any static sparking while using the equipment, **stop operation immediately**. Identify and correct the problem.

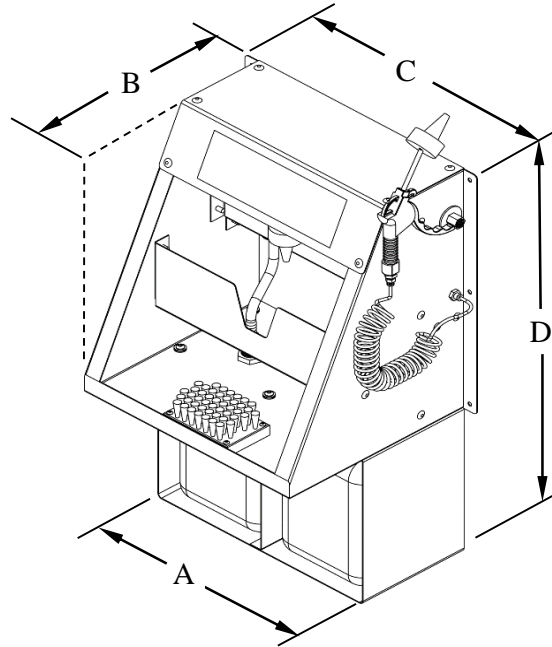


TOXIC FLUID HAZARD

Hazardous fluids or toxic fumes can cause serious injury or death if splashed in eyes or on the skin, swallowed, or inhaled.

- Know the specific hazards of the fluid you are using. Read the fluid manufacturer's warnings.
- Store hazardous fluid in an approved container. Dispose of hazardous fluid according to all local, state and national guidelines.
- Wear the appropriate protective clothing, gloves, eyewear and respirator.
- Pipe and dispose of the exhaust air safely. If diaphragm fails, the fluid may be exhausted along with the air.

Model Information



NOTE: Dimensions listed are overall measurements.

Model	Description	Weight lbs/(kg)	Dimensions in./(mm)			
			A	B	C	D
G507	Manual cleaning waterborne/solvent Gun Washer includes pressure cleaning nozzle, cleaning brush and air gun.	31.0 (14)	14.5 (368)	12.45 (316)	16.40 (417)	26.25 (667)

Installation

Installing the Gun Washer

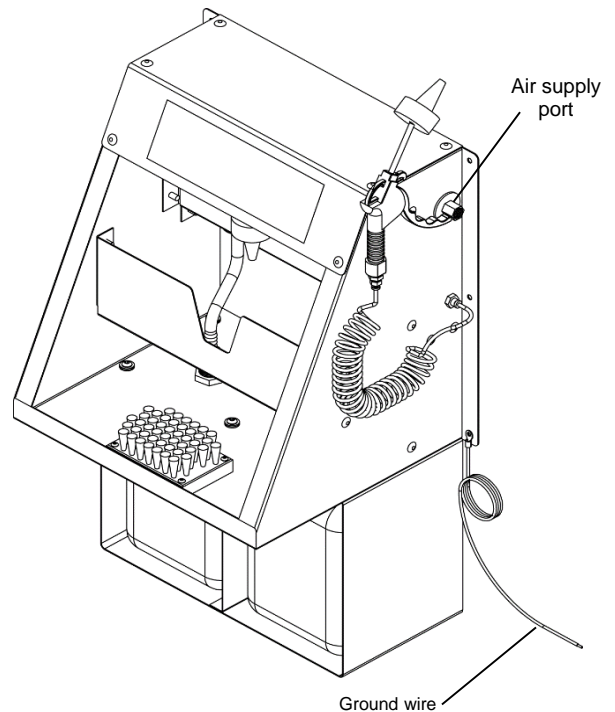
- 1) Mount the Gun Washer to a wall (hardware not included), in a Spray Booth, or another convenient location in the shop.

Grounding the Gun Washer

- 1) Using the ground wire supplied with the unit, ground the unit to a true earth ground.

Connecting the air line

- 1) Install a 1/4 in. npt male coupler, that is compatible with the quick disconnect of your air supply line, into the air supply port on the side on the unit.
- 2) Connect air line with at least 80 psi to the coupler.



Operation

Connecting an external air line to the Gun Washer (Optional)

- 1) The G507 is equipped with an external air output port on the left side of the unit. When installing the unit in a paint booth, an air line can be run directly from this port to the paint gun.

Note: When installing the unit outside the paint booth, a small air line can be attached to the side port to attach to the paint gun during cleaning.

Adding water or solvent to the Gun Washer

- 1) Fill the supply container with water/solution/solvent and insert the pick up line.
- 2) Place an empty 1-gallon can under the drain spout.

The G507 can use both water and solvent interchangeably to clean guns using differing types of paint.

WARNING: Caution is advised when switching between the two types of cleaning solutions. To prevent damage to the paint gun (or the next paint job), please flush the cleaning nozzle with two bursts of the new cleaning fluid---whether it is water or solvent, before using on the paint gun. This rinse will eliminate any residual fluid, preventing the accidental spraying of the wrong type of cleaning into the paint gun. For example, when switching from solvent to water, run two bursts of water through the nozzle. When switching from water to solvent, run two bursts of solvent through the nozzle.

Preparing the equipment to be washed

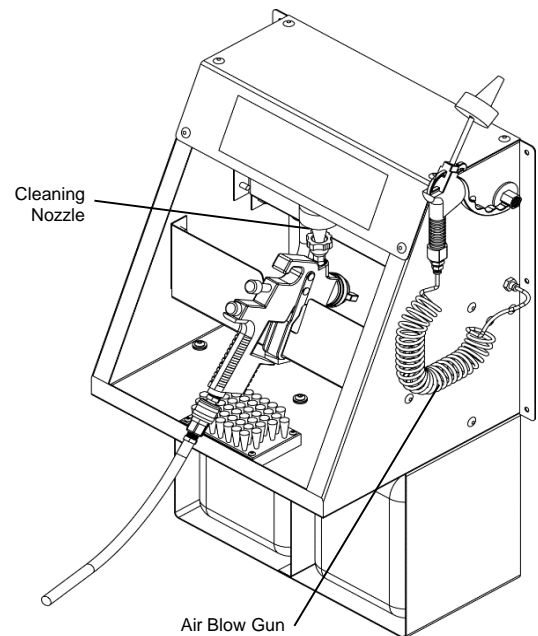
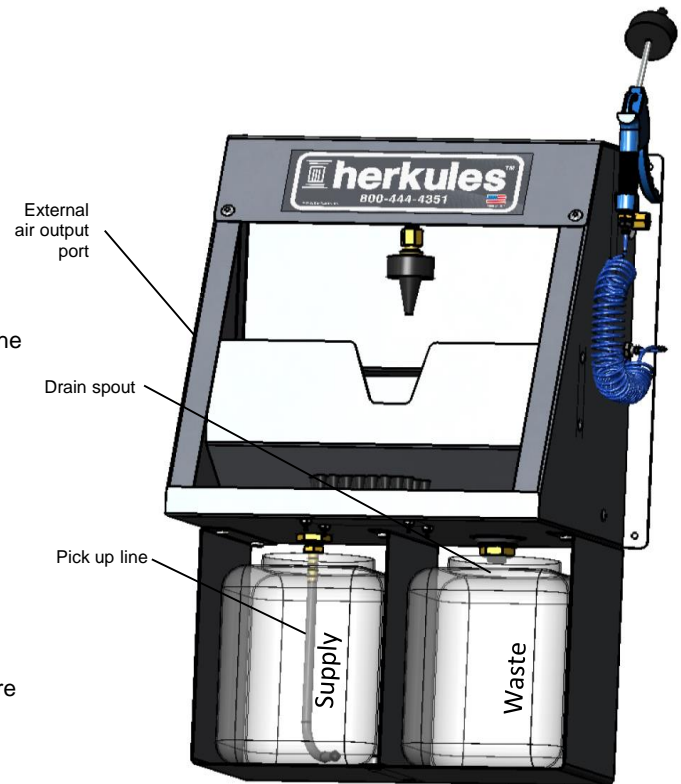
- 1) Remove paint cup from the paint gun. Allow the air line to remain attached to the paint gun, or connect the air line added to the side of the unit
- 2) Drain any unused paint into a separate container.
- 3) Remove all gauges and regulators from painting equipment.

Cleaning equipment

- 1) Place the paint channel of the paint gun under the cleaning nozzle. Squeeze the trigger of the paint gun while pressing the paint gun up against the nozzle to activate the pump. Allow the pump to run for 10-15 seconds.

Note: Position the spray gun so that the flow of water/solvent exiting the paint gun is contained within the Gun Washer cabinet

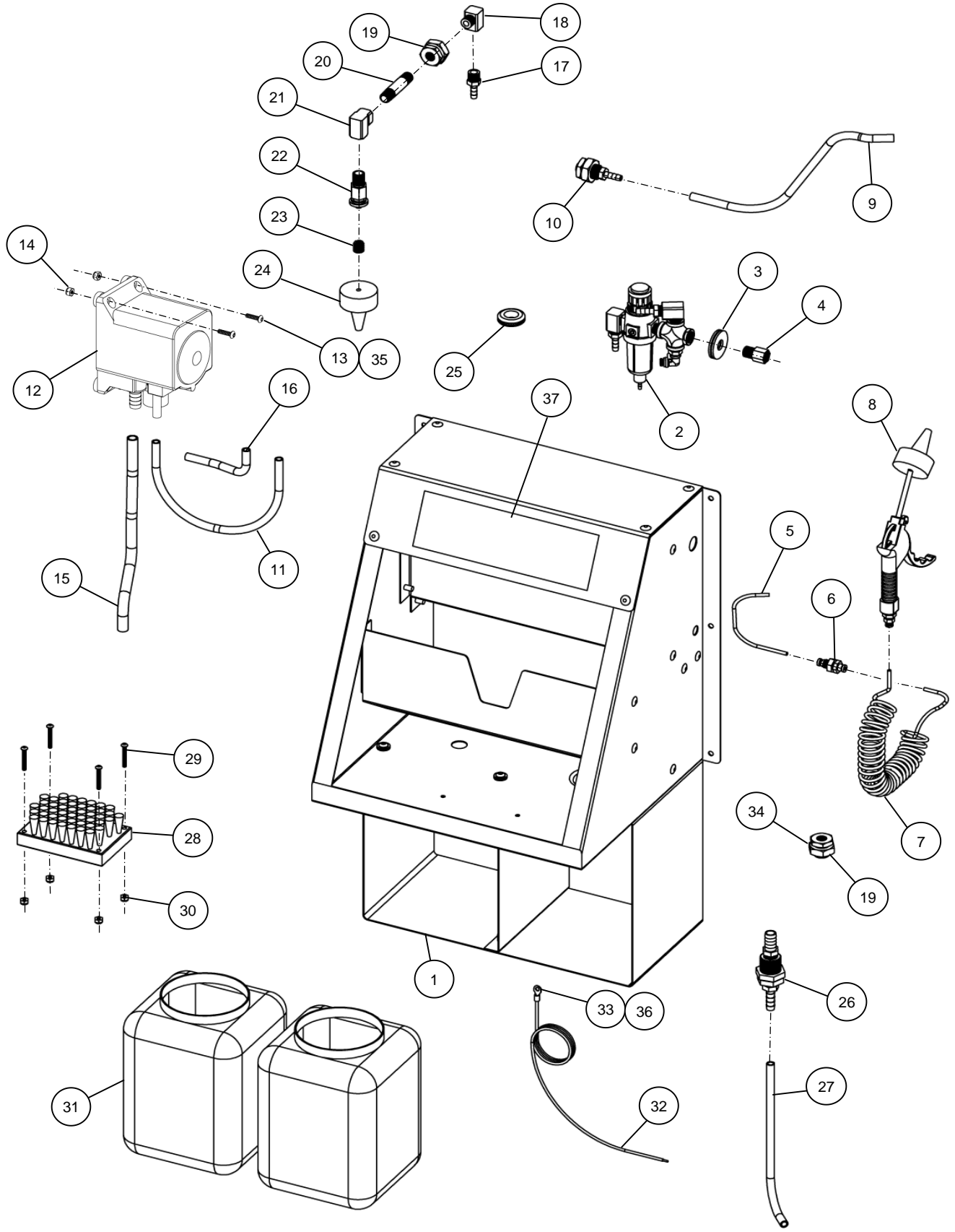
- 2) Clean the air cap of the paint gun by rubbing it on the panel mounted brush.
- 3) Dry the paint gun using the air blow gun on the side of the unit.
- 4) Dispose of all paint waste according to local, state and federal regulations.



Troubleshooting

Problem	Possible Solution
Pump turns on but wash water does not flow.	<ol style="list-style-type: none"><li data-bbox="574 342 1539 380">1 Make sure wash bucket is not empty.<li data-bbox="574 401 1539 438">2 Make sure the pick up tube is completely submerged in water.<li data-bbox="574 459 1539 497">3 Check all fluid connections to ensure that there are no leaks.
Pump does not turn on.	<ol style="list-style-type: none"><li data-bbox="574 537 1539 596">1 Make sure the air line is properly connected with at least 75 psi. Air pressure is regulated at 75 psi.<li data-bbox="574 617 1539 655">2 Check all air connections to ensure that there are no leaks.

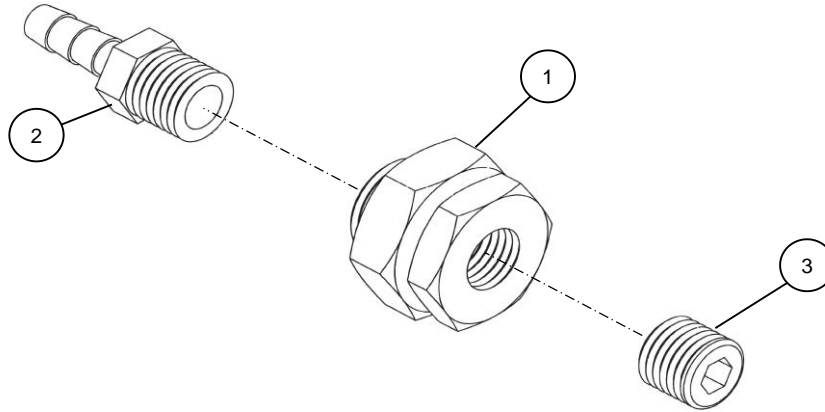
G507 Parts Layout



G507 Parts Layout

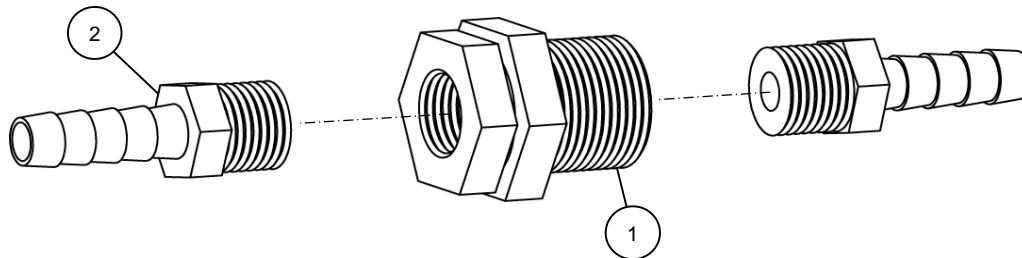
	Part #	Description	Quantity	
1	1009517	Cabinet Assembly	1	EA
2	16654	Regulator Assembly	1	EA
3	85I	Washer Flat 1/2 USS Zinc	2	EA
4	67	Adapter 1/4 NPT Brass	1	EA
5	M5	Tube 5/32 Nylon Blue	9	IN
6	1000986	Bulkhead PTC 5/32	1	EA
7	1002968	Tube Coiled 5/32 x 6 Nylon	1	EA
8	13800	Air Gun Assembly	1	EA
9	M7APE	3/8 PE Tube	17	IN
10	14185	Bulkhead Air Inlet Assembly	1	EA
11	M7APE	3/8 PE Tube	14	IN
12	14600	Pump	1	EA
13	1005265	BHSC 8-32 x 3/4 SS	4	EA
14	002-172S	Nylock Nut 8-32 SS	4	EA
15	64PE	1/2 PE Tube	11	IN
16	64PE	1/2 PE Tube	12	IN
17	57	Hose Barb 3/8 x 1/4 NPT Brass	1	EA
18	002-131	Elbow Street 1/4 NPT Brass	1	EA
19	1002644	Bulkhead 1-14 UNS x 3/8 NPT Brass	1	EA
20	M26A	Nipple 1/4 NPT x 1-1/2 Brass	1	EA
21	C4B	Elbow 1/4 NPT Brass	1	EA
22	15216	Valve Push 1/4 NPT x 5/16-24 Brass	1	EA
23	1004790	Threaded Insert 5/16-24 x 1/2-13 SS	1	EA
24	1004269	Rubber Nozzle w/ Guard	1	EA
25	1003554	Rubber Grommet	1	EA
26	16655	Bulkhead Water Inlet Assembly	1	EA
27	100-079	Tube Flexible Spiral	11	IN
28	1003559	Brush Panel Mount Nylon	1	EA
29	008-247S	BHSC 8-32 x 1-1/4 SS	4	EA
30	002-172S	Nylock Nut 8-32 SS	4	EA
31	1003504	Plastic Container	2	EA
32	002-120A-72	Grounding Wire	1	EA
33	005-131	Screw 10-24 x 1/2 SS	1	EA
34	85B	Washer Flat 1-1/2 Nylon	1	EA
35	002-150	Washer #8	4	EA
36	005-137	Nylock Nut 10-24 Zinc	1	EA
37	1009270	Sticker Clean Solvent Warning	1	EA

14185 Parts Layout



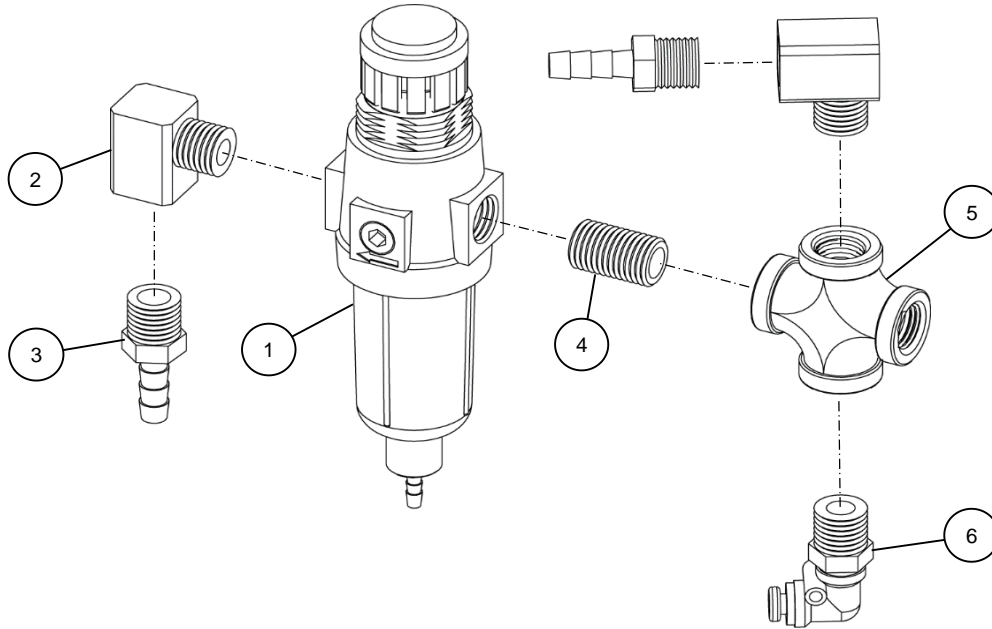
	Part #	Description	Quantity	
1	1002643	BULKHD 3/4-16UNS X 1/4 NPT W/NUT BR	1	EA
2	990	HOSE BARB 1/4 X 1/4 NPT BRASS	1	EA
3	993	PLUG SOCKET 1/4 NPT	1	EA

16655 Parts Layout



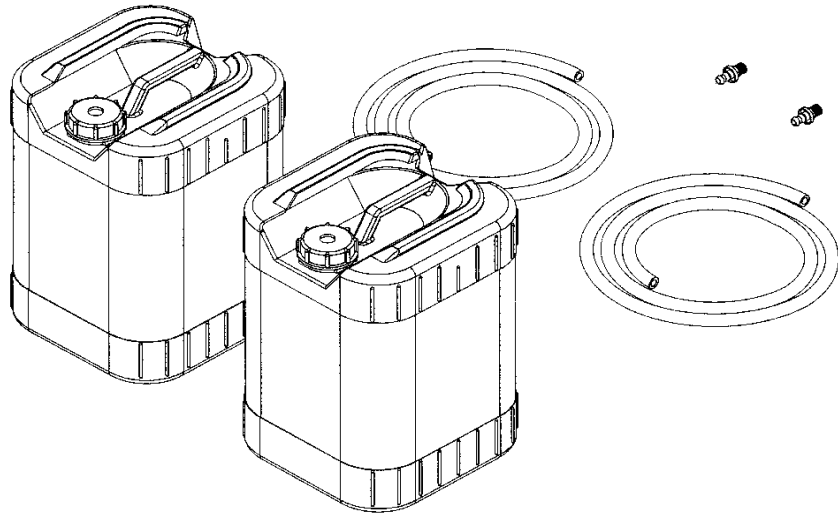
	Part #	Description	Quantity	
1	1002644	BULKHEAD 1-14UNS X 3/8 NPT W/NUT BR	1	EA
2	1002654	HOSE BARB 3/8 X 3/8 NPT BRASS	2	EA

16654 Parts Layout



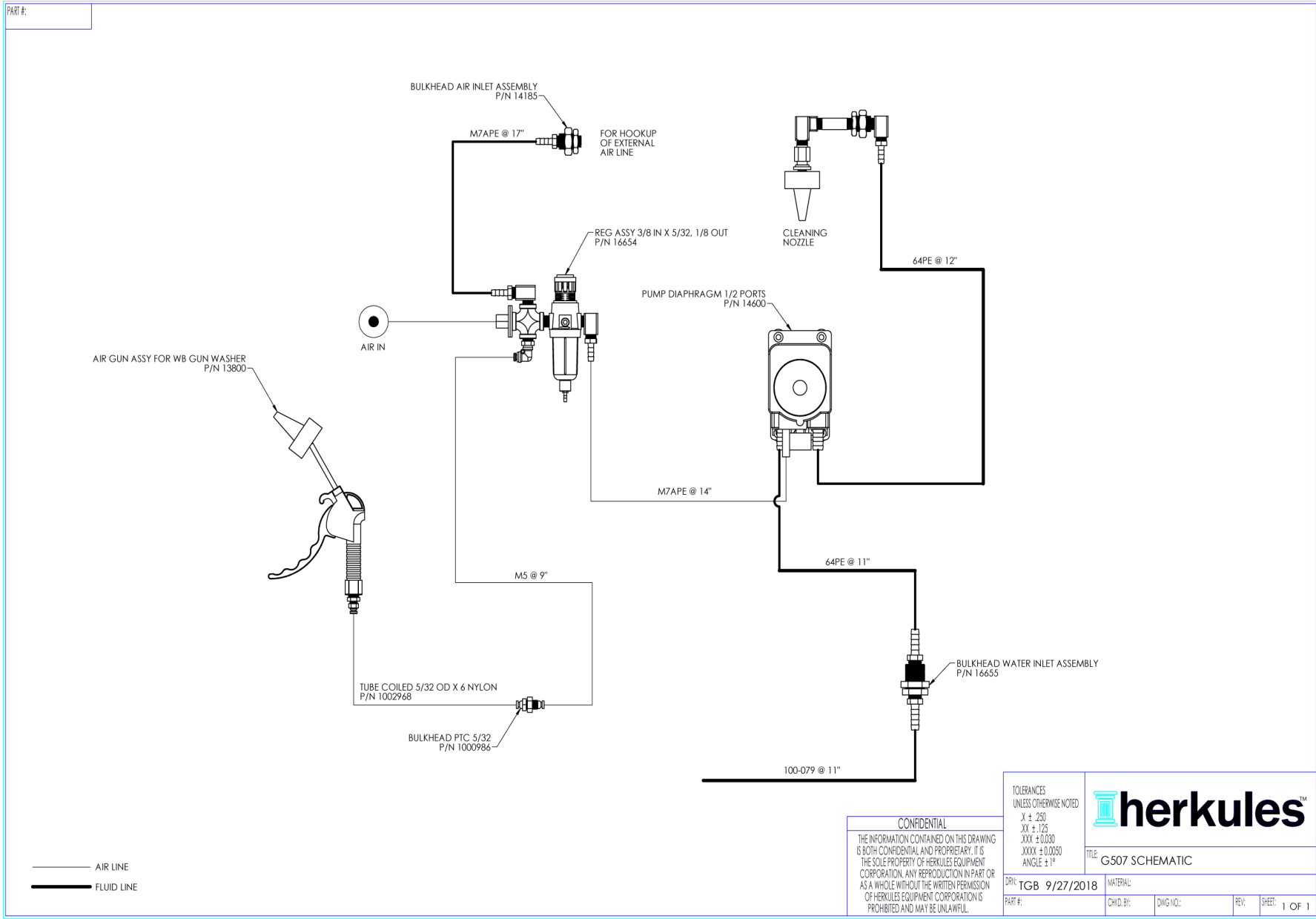
	Part #	Description	Quantity	
1	11238	FILTER/REG ASSY-MTL SET 38 PSI	1	EA
2	002-131	ELBOW STREET 1/4 NPT BRASS EXTRUDED	2	EA
3	990	HOSE BARB 1/4 X 1/4 NPT BRASS	2	EA
4	T12	NIPPLE CLOSE 1/4 NPT BRASS	1	EA
5	1002088	CROSS 1/4 NPT MALEABLE	1	EA
6	T25	FITTING PTC 90D SVL 5/32Tx1/4NPT	1	EA

G507 Available Options



5-Gallon Container Kit # 13939

Includes (2) 5-Gallon containers, hose & hose fittings



<p>CONFIDENTIAL</p> <p>THE INFORMATION CONTAINED ON THIS DRAWING IS BOTH CONFIDENTIAL AND PROPRIETARY. IT IS THE SOLE PROPERTY OF HERKULES EQUIPMENT CORPORATION. ANY REPRODUCTION IN PART OR AS A WHOLE WITHOUT THE WRITTEN PERMISSION OF HERKULES EQUIPMENT CORPORATION IS PROHIBITED AND MAY BE UNLAWFUL.</p>	<p>TOLERANCES UNLESS OTHERWISE NOTED</p> <p>.X ± .250</p> <p>.XX ± .125</p> <p>.XXX ± 0.030</p> <p>.XXXX ± 0.0050</p> <p>ANGLE ± 1°</p>	<p>herkules™</p> <p>TITLE: G507 SCHEMATIC</p>
	<p>DRW: TGB 9/27/2018</p> <p>MATERIAL:</p>	