

herkulesTM

G45 FASTTRACK

Part# 1005364-02
5/3/2013

OWNER'S MANUAL



This manual contains important information concerning the installation and operation of the gun washers listed above. **Read manual thoroughly and keep for future reference**

INSTRUCTIONS

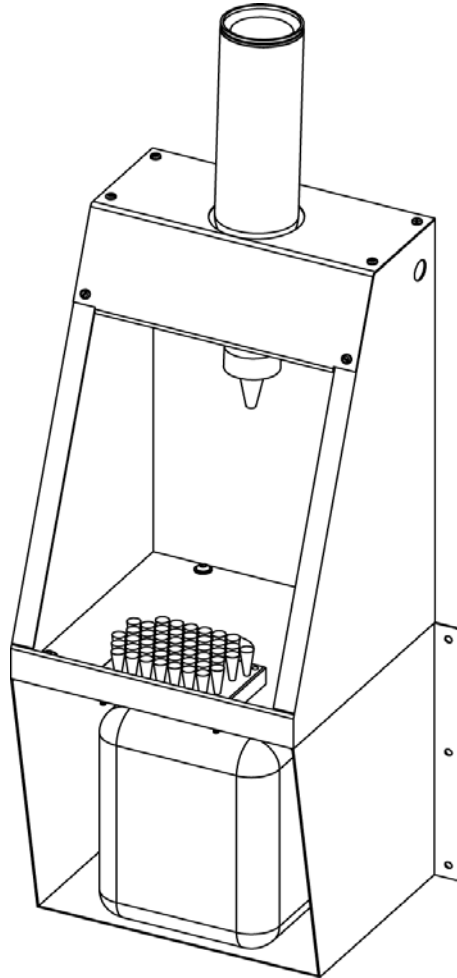


Table of Contents

Warnings	3-4
Model Information	5
Installation	5
Operation	6
Troubleshooting	6
Drawings with part lists:	7-8

Warning Symbol



This symbol alerts you to the possibility of serious injury or death if you do not follow the instructions.

Caution Symbol



This symbol alerts you to the possibility of damage to or destruction of equipment if you do not follow the instructions.



WARNING



EQUIPMENT MISUSE HAZARD

Equipment misuse can cause the equipment to rupture, malfunction, or start unexpectedly and result in serious injury.

- This equipment is for professional use only.
- Read all instruction manuals, tags, and labels before operating the equipment.
- Use the equipment only for its intended use.
- Do not alter or modify this equipment.
- Do not move pressurized equipment.
- Comply with all applicable local, state and national fire, electrical and other safety regulation.



PRESSURIZED EQUIPMENT HAZARD

Spray from the cleaning process can splash fluid in the eyes or on the skin and cause serious injury.

- Do not stop or deflect fluid leaks with your hand, body, glove, or rag.
- Tighten all fluid connections before operating the equipment.
- Replace worn, damaged, or loose parts immediately.



WARNING



FIRE AND EXPLOSION HAZARD



Improper grounding, poor air ventilation, open flames, or sparks can cause a hazardous condition and result in fire or explosion and serious injury.

- Provide fresh air ventilation to avoid the build up of fumes.
- Extinguish all open flames or pilot lights in the gun washer area.
- Disconnect all electrical equipment in the gun washer area.
- Keep the gun washer area free of debris, including cleaning solutions, rags, and gasoline.
- Do not turn on any light switch in the gun washer area while operating or if fumes are present.
- Do not smoke in the gun washer area.
- Do not operate a gasoline engine in the gun washer area.
- If there is any static sparking while using the equipment, **stop operation immediately**. Identify and correct the problem.

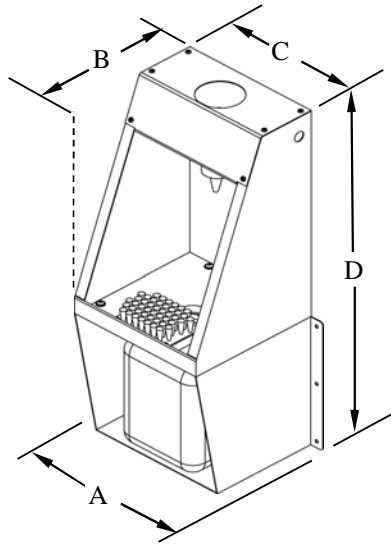


TOXIC FLUID HAZARD

Hazardous fluids or toxic fumes can cause serious injury or death if splashed in eyes or on the skin, swallowed, or inhaled.

- Know the specific hazards of the fluid you are using. Read the fluid manufacturer's warnings.
- Store hazardous fluid in an approved container. Dispose of hazardous fluid according to all local, state and national guidelines.
- Wear the appropriate protective clothing, gloves, eyewear and respirator.
- Read all warnings and labels on the SCB-01 Sparkle Clean Blast can before use.

Model Information



NOTE: Dimensions listed are overall measurements.

Model	Description	Weight lbs/(kg)	Dimensions in./(mm)			
			A	B	C	D
G45	Manual cleaning Gun Washer includes pressure cleaning nozzle and cleaning brush surface	6 (2.7)	12.0 (305)	9.5 (241)	10.0 (254)	26.13 (664)

Installation

Installing the Gun Washer

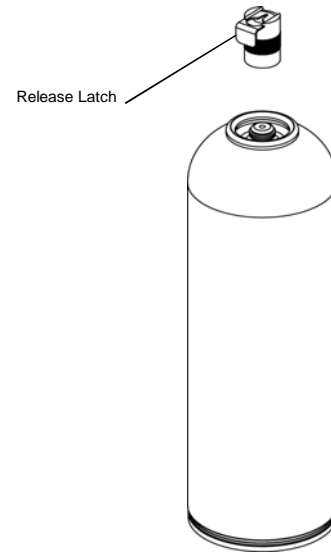
- 1) Mount the Gun Washer to a wall (hardware not included) in a Spray Booth or another convenient location in the shop.

Operation

Preparing SCB-01 Can for use with the G45

- 1) Take the female end of the Schrader Valve (P/N 1005344) and screw on to the top of the SCB-01 can.

Note: make sure the Schrader Valve is in the open position with the button in the up position



Attaching/Removing SCB-01 Can to the G45

- 1) To attach can, flip new can over so Schrader Valve female end is pointed down through the top of the G45.
- 2) Push can down into hole and onto the male end of the Schrader Valve, you will feel and hear a snap to indicate valves are now interlocked.
- 3) To remove can, you need to reach up inside the unit and then lift and press the release latch on the Schrader Valve and pull can off.

Preparing the equipment to be washed

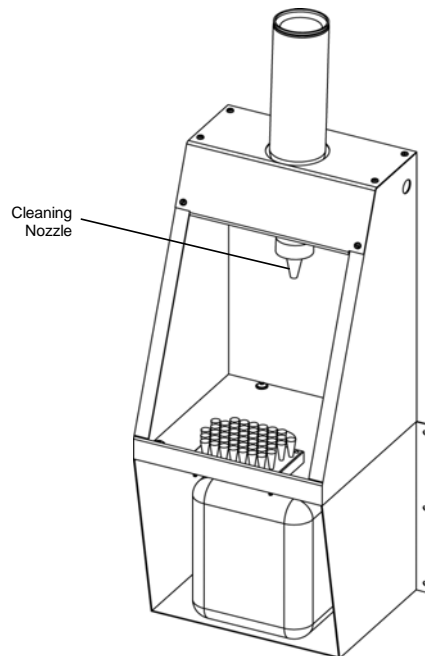
- 1) Remove paint cup from the paint gun.
- 2) Drain any unused paint into a separate container.

Cleaning equipment

- 1) Place the paint channel of the paint gun under the cleaning nozzle. Squeeze the trigger of the paint gun while pressing the paint gun up against the nozzle to activate the valve. Allow can to spray for 5-10 seconds.

Note: Position the spray gun so that the flow of solution exiting the paint gun is contained within the Gun Washer cabinet.

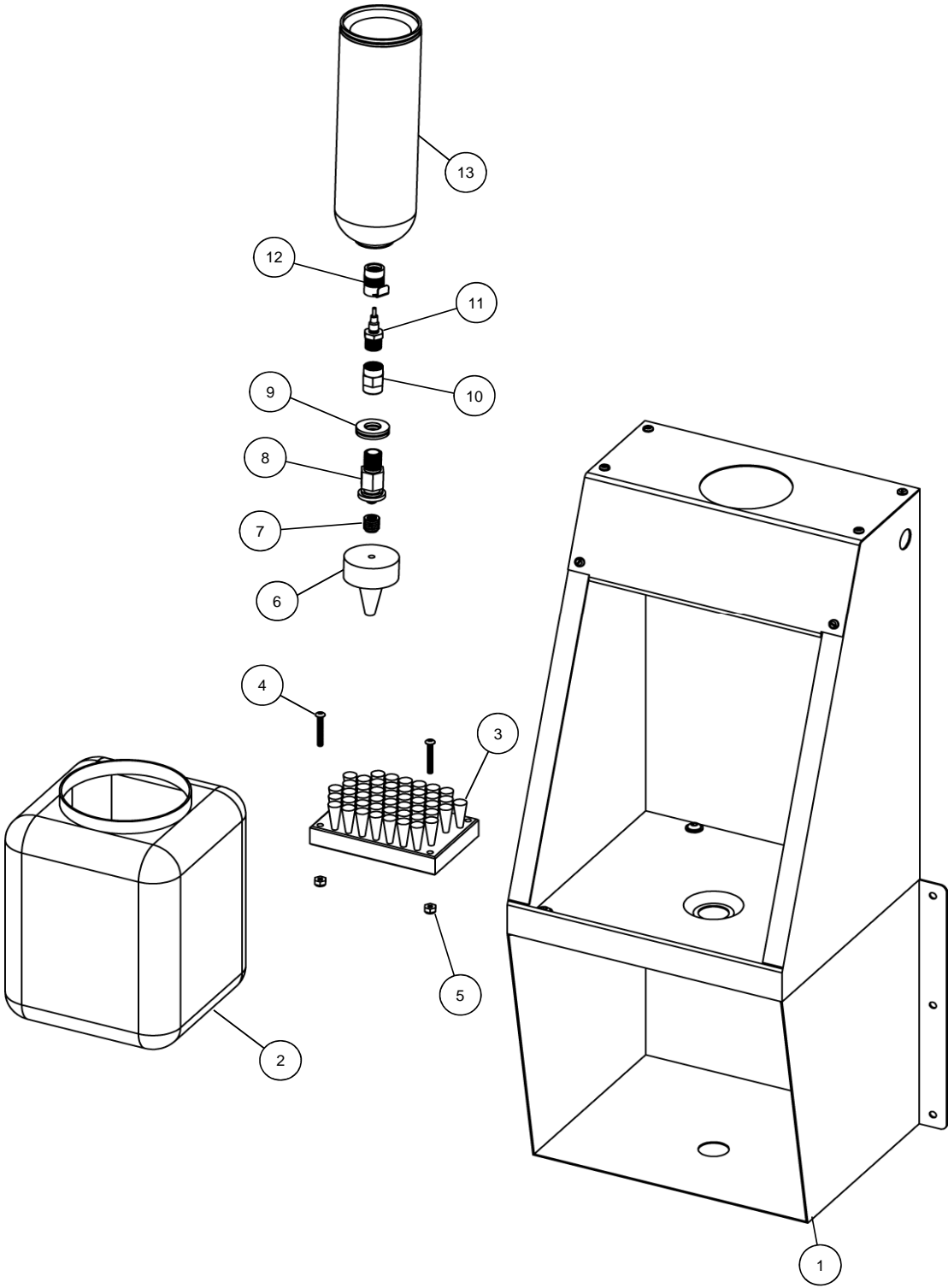
- 2) Clean the air cap of the paint gun by rubbing it on the panel mounted brush.
- 4) Dispose of all paint waste in accordance with all local, state and federal regulations.



Troubleshooting

Problem	Possible Solution
Valve is pushed up but solution does not flow.	1 Press down on SCB-01 can.
	2 Make sure SCB-01 can is not empty.

G45 Parts Layout



G45 Parts Layout

	Part #	Description	Quantity	
1	1005288	CABINET WELDMENT	11	EA
2	1003504	CONTAINER SQ 6-1/4 X 8-1/4 HDPE	1	EA
3	1003559	BRUSH PANEL	1	EA
4	008-247S	SCREW BHSC 8-32 X 1-1/4 SS	2	EA
5	002-172S	NUT NYLOCK 8-32 SS	2	EA
6	1004269	NOZZLE W/GUARD RUBBER	1	EA
7	1004790	THREADED INSERT 5/16-24 X 1/2-13 SS	1	EA
8	15216	VALVE PUSH 1/4 NPT X 5/16-24 BRASS	1	EA
9	85I	WASHER FLAT 1/2 USS Z	2	EA
10	002-133	COUPLE 1/4 NPT BRASS	1	EA
11	1005345	SCHRADER VALVE MALE END	1	EA
12	1005344	SCHRADER VALVE FEMALE END	1	EA
13	SCB-01	SPARKLE CLEAN BLAST PAINT GUN CLEANER	1	EA