



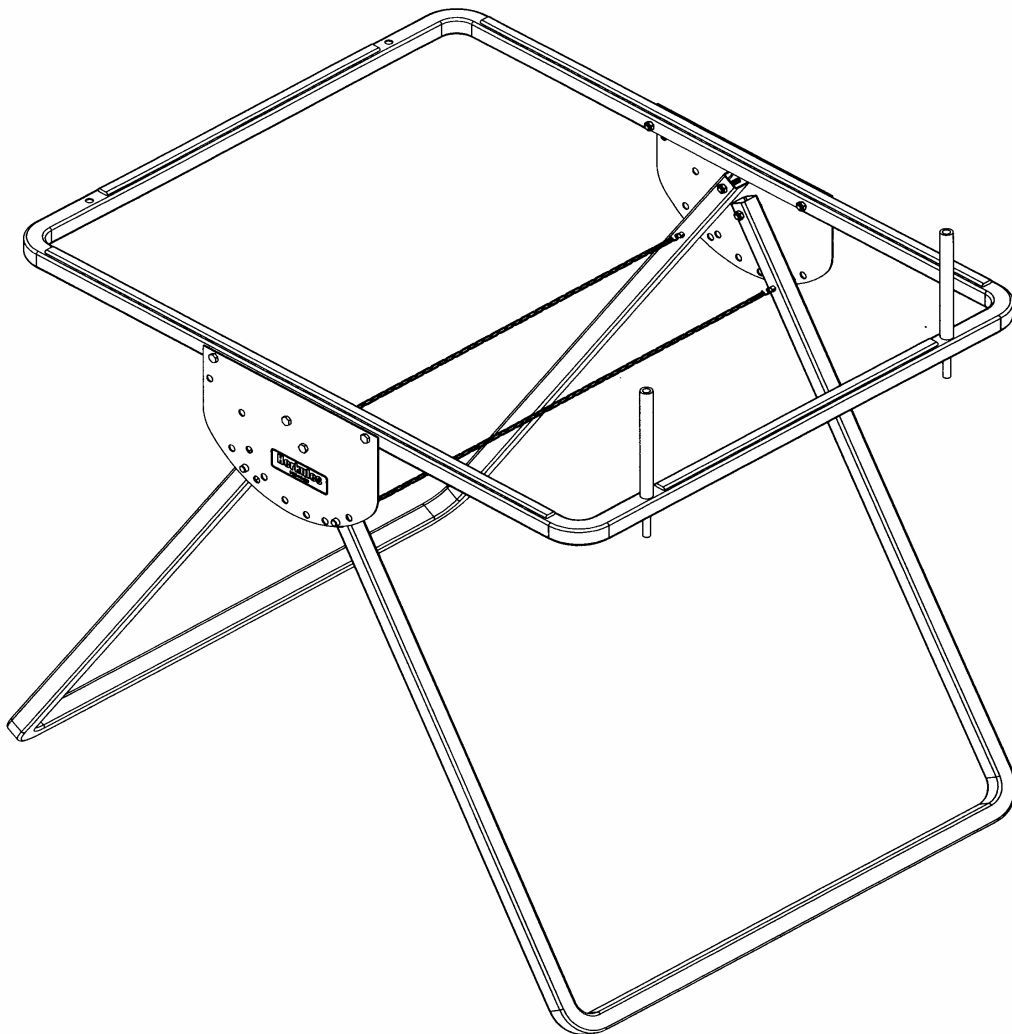
FT 1

OWNERS MANUAL



This manual contains important information concerning the installation and operation of the product listed above.
Read manual thoroughly and keep for future reference

INSTRUCTIONS



Contents

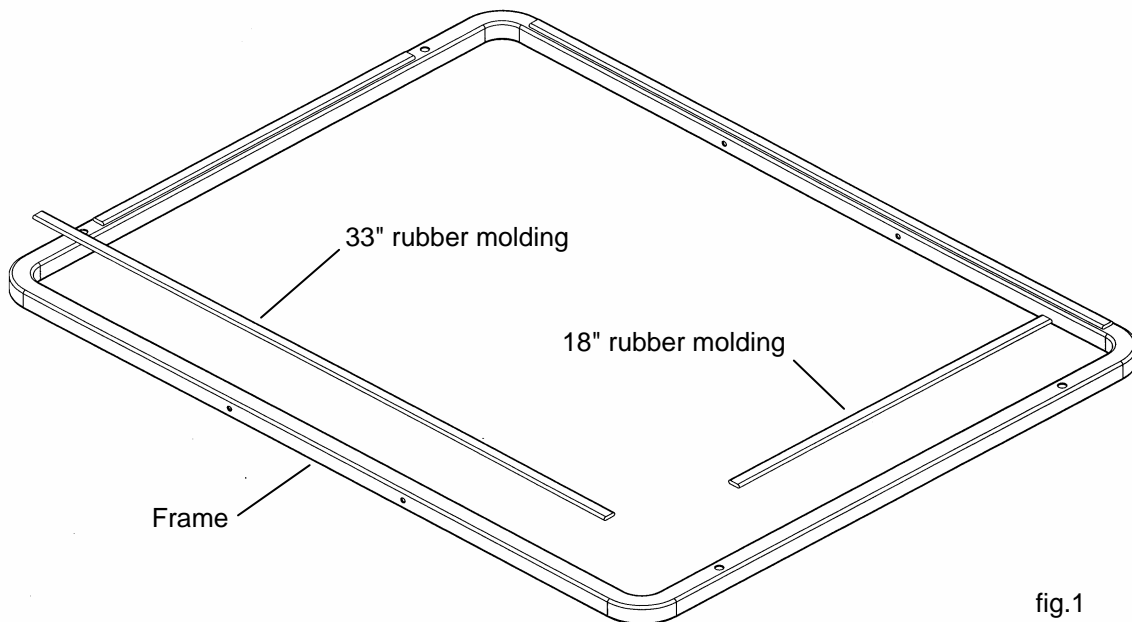
Part #	Description	Qty.
001-705	Flat washer 1/4 USS	8 ea.
003-101	Rubber molding	102 in.
003-301	Spring	4 ea.
003-700	Bolt hex 1/4-20 x 1-1/2	8 ea.
003-702	Fender washer 1/4 x 1-1/2	4 ea.
005-130	Nylock nut 1/4-20	8 ea.
100-031	Chain	30 in.
100-031	Chain	30 in.
10041	Pin	4 ea.
10458	Peg	2 ea.
1001802	S-hook	4 ea.
1002483	Long leg	1 ea.
1002484	Short leg	1 ea.
1002485	Plate	2 ea.
1002486	Frame	1 ea.

Assembly

STEP 1

Cut the 102" piece of rubber molding into two 33" and two 18" pieces. Remove the backing and place the 33" pieces on the longer sides of the frame. Place the 18" pieces between the holes on the shorter sides of the frame (see fig.1).

Note: All of the rubber molding should be on the same side of the frame. There is no "top" side of the frame prior to applying rubber molding.



Assembly

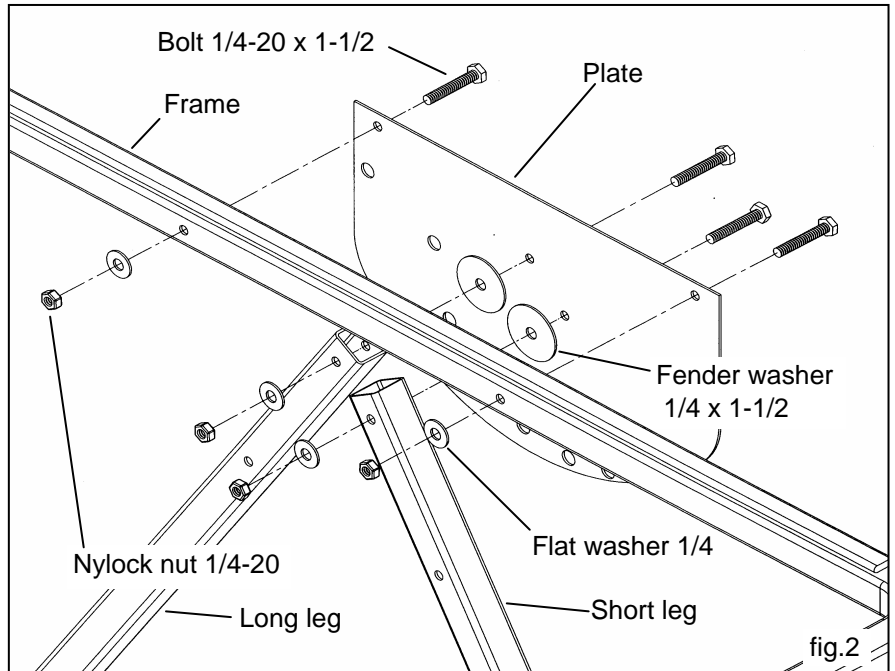
STEP 2

Attach the plate to the frame using (2) 1/4-20 x 1-1/2 bolts, (2) 1/4 flat washers, and (2) 1/4-20 nylock nuts. Securely tighten. (see fig.2)

STEP 3

Repeat step 2 for the opposite side of the frame.

Note: The plates should be symmetrical across the center of the unit. Looking from one side to the other, the holes should line up.



STEP 4

Attach the short leg to the plates on both sides using (1) 1/4-20 x 1-1/2 bolt, (1) 1/4 x 1-1/2 fender washer, (1) 1/4 flat washer, and (1) 1/4-20 nylock nut per side. (see fig.2)

Note: The fender washer is installed between the plate and the leg. Do not over tighten; the leg must rotate freely about this point.

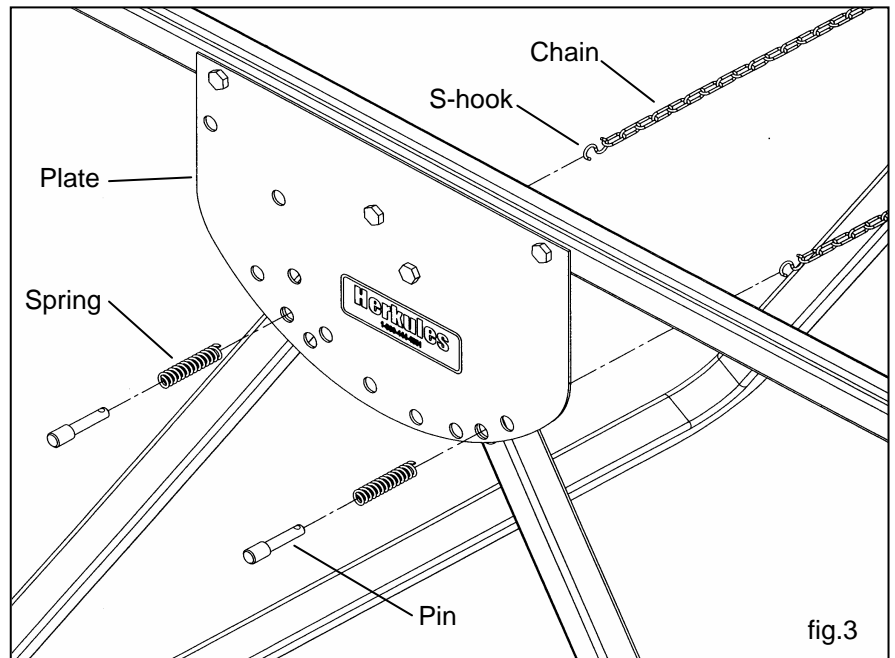
STEP 5

Attach the long leg to the plates on both sides using (1) 1/4-20 x 1-1/2 bolt, (1) 1/4 x 1-1/2 fender washer, (1) 1/4 flat washer, and (1) 1/4-20 nylock nut per side. (see fig.2)

Note: The fender washer is installed between the plate and the leg. Do not over tighten; the leg must rotate freely about this point.

STEP 6

Line up the hole in a leg with a hole in the plate and slide (1) spring through followed by (1) pin. Push the pin so that it protrudes through the inside of the leg and slide (1) s-hook through the hole in the pin. (see fig.3)



STEP 7

Repeat step 6 for the three remaining ends of the legs.

STEP 8

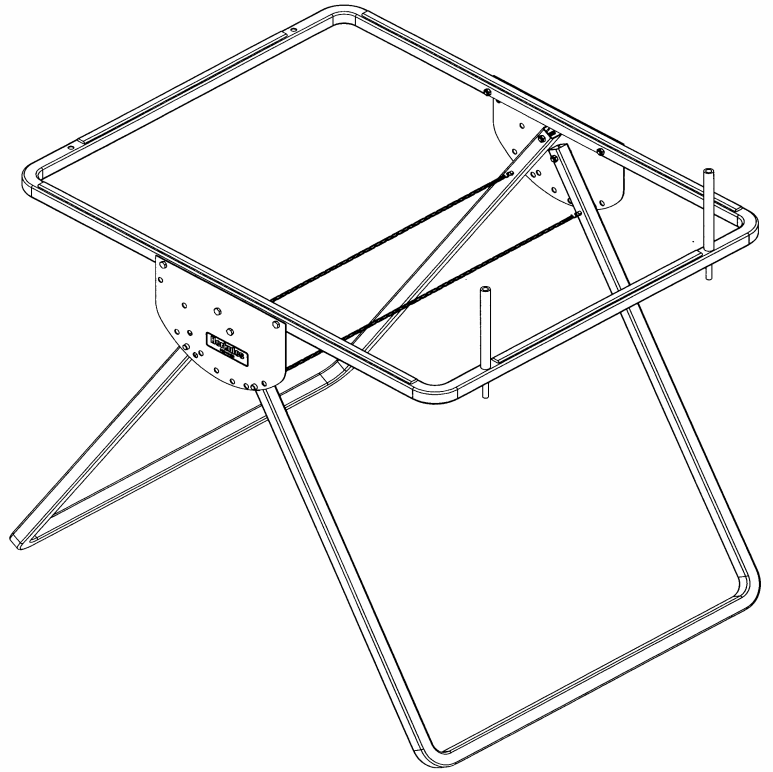
Attach (1) sections of chain to the s-hooks directly opposite each other and repeat for the remaining set of s-hooks and crimp all of the s-hooks to the chains (see fig.3).

Note: Chains should not be completely taught.

Operation

Using the FT1 in a horizontal position

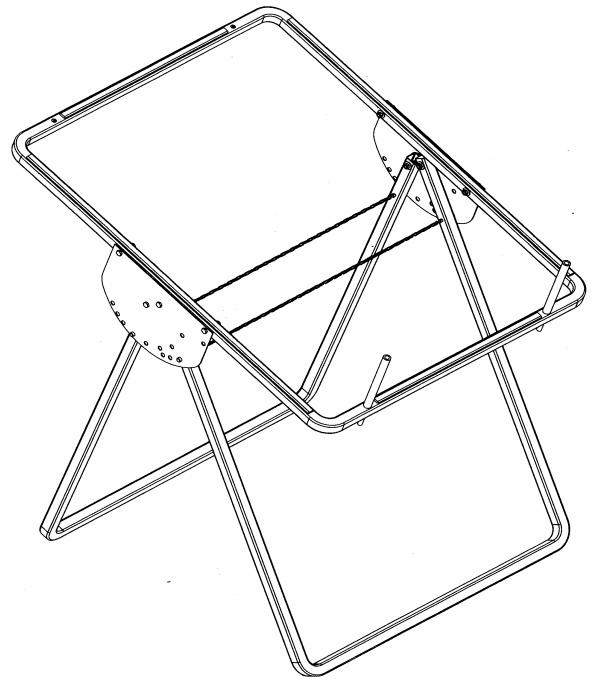
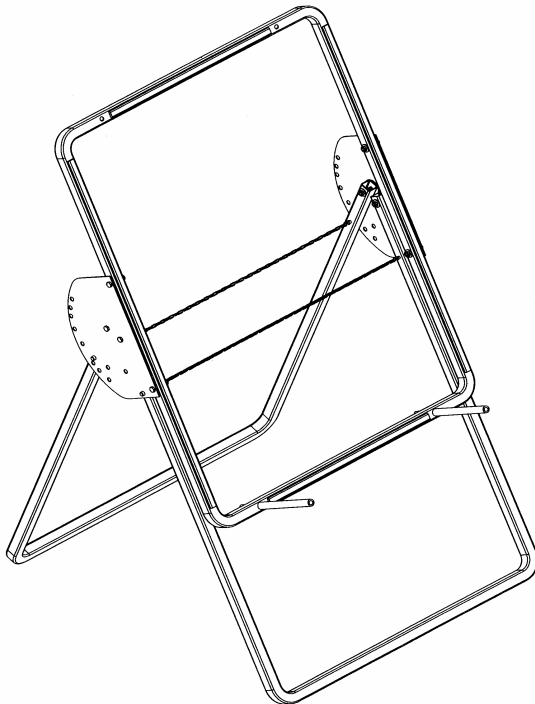
1. Set the table vertically with only the long leg touching the floor.
2. Standing on the side, reach into the center with one hand and grab the adjusting chain for the short leg. Pull the cable to release the pins from the plate and move the leg outward with your foot until the pins are forced back into a set of holes.
3. Bracing the short leg with your foot, pull both adjusting chains and bring the table top to a horizontal position.
4. There are 3 horizontal positions available. The middle position is the second hole from each end of the plates. For higher or lower positions adjust accordingly.



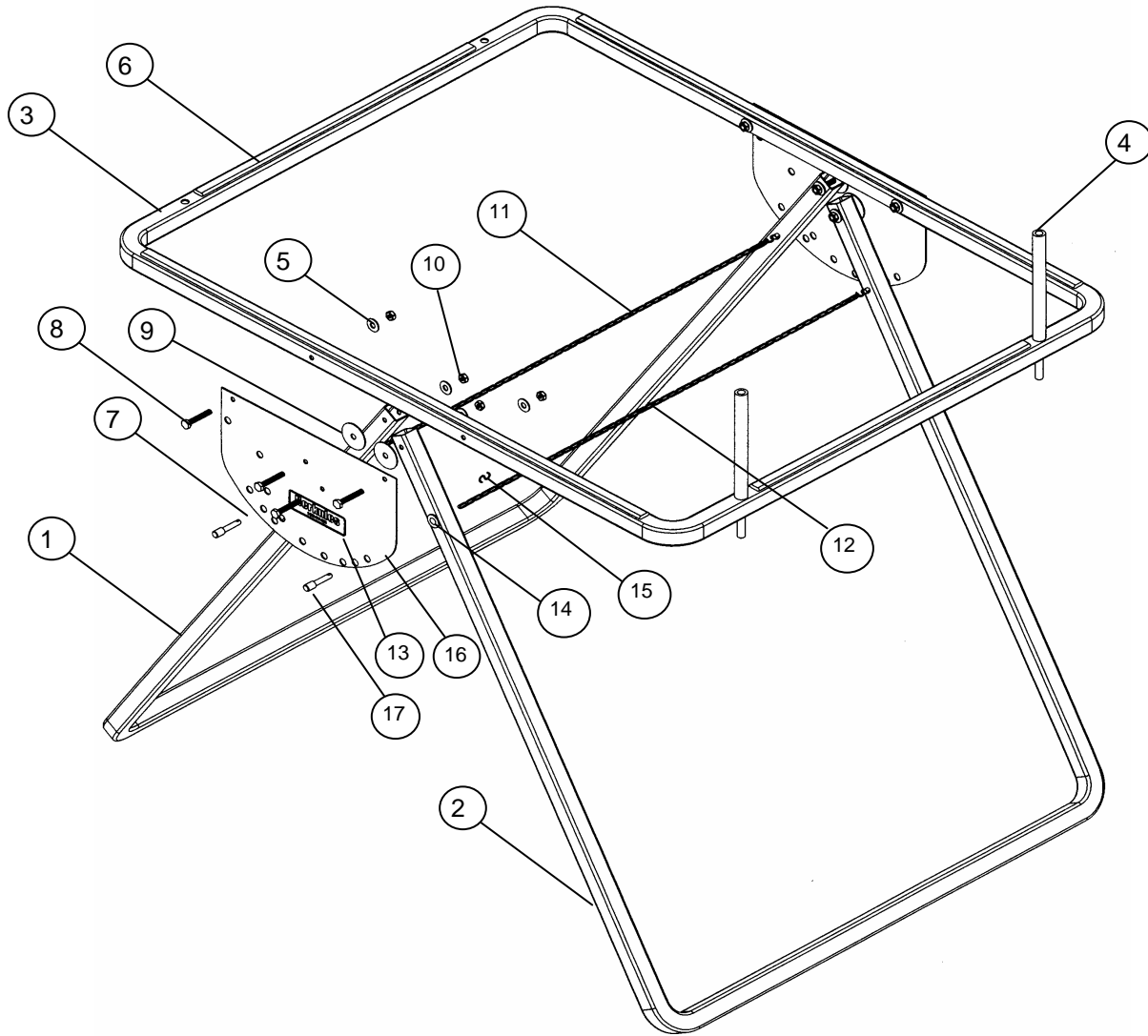
Non-horizontal positions

The FT1 was designed to be useful in several different applications. The frame can be placed at several angles for maximum work efficiency.

Simply pull the adjusting chains and rotate the legs to the desired position and allow the pins to snap back into the plates.



Parts Call Out



Pos	Part Number	Description	Qty.	Unit
1	1002483	Long leg	1	EA
2	1002484	Short leg	1	EA
3	1002486	Frame	1	EA
4	10458	Peg	2	EA.
5	001-705	Flat washer 1/4 USS	8	EA.
6	003-101	Rubber molding	102	IN.
7	003-301	Spring	4	EA
8	003-700	Hex bolt 1/4-20 X 1-1/2 Z	8	EA.
9	003-702	Washer 1/4 X 1-1/2 Z	4	EA.
10	005-130	Nylock nut 1/4-20 Z	8	EA.
11	100-031	Chain	30	IN.
12	100-031	Chain	30	IN.
13	1001372	1-800 Sticker	2	EA.
14	1001447	Bushing	4	EA.
15	1001802	S-Hook	4	EA
16	1002485	Plate	2	EA
17	10041	Pin	4	EA.

Discover other paint spray guns and accessories on our website.