



INSTALLATION INSTRUCTIONS

11981 TIMED DIAPHRAGM PUMP CONVERSION ASSEMBLY FOR CONVERTING A TIMED GUN WASHER FROM A PISTON PUMP TO A DIAPHRAGM PUMP

Plastic Bag Contents

- Installation Instructions
- 2 nuts, 2 flat washers, 2 lock washers, and 2 nylon spacers
- Solvent intake filter
- 2 steel tubes with flare nuts.
- Operating instructions decal for washer lid
- Owner's Manual: GW/R-T-OM

Removal of Gun Washer's Piston Pump Assembly

- 1) Disconnect shop air line from Gun Washer.
- 2) Drain and clean inside of tub.
- 3) Remove filter from inside tub.
- 4) Disconnect ground wire from pump.
- 5) Disconnect the solvent tube fittings at the tub inlet and outlet locations.
- 6) Cut or disconnect the ties holding the grey timer tube to the Gun Washer frame.
- 7) Remove the two plastic air lines on the safety shut-off switch at the lid.

Note: To remove air lines use a fingernail or screw driver to press in brass collar on the roller switch, then pull on tubing to remove.

- 8) Remove piston pump saddle clamp from Gun Washer frame. Dispose of the entire piston pump assembly, including the timer tube.

Assembling Diaphragm Pump Housing onto Gun Washer

- 1) Loosely mount the 11981 diaphragm pump assembly onto the gun washer stand.

Note: The timer knob is at the front of the housing assembly and the filter and air tubing lines are at the rear.

- 2) Place the two nylon spacers over the housing bolts and insert into the gun washer frame holes. Place flat washer, then lock washer, then nut onto the 1" bolt. Finger tighten only.
- 3) Connect the steel tubes between the pump and the tub. Use finger force to engage threads on flare nuts.
 - a) Connect the shorter, 3/8" diameter tube between the "Material Outlet" of the pump and the upper bulkhead of the tub. Finger tighten.
 - b) Connect the longer, 1/2" diameter tube between the "Material Inlet" of the pump to the lower bulkhead of the tub. Finger tighten.
 - c) When the housing and solvent tubes are aligned, tighten the four flare nuts
- 4) Tighten the diaphragm pump housing's two 1/4-20 x 1" hex head bolts, washers, and nuts as loosely assembled in step 1.

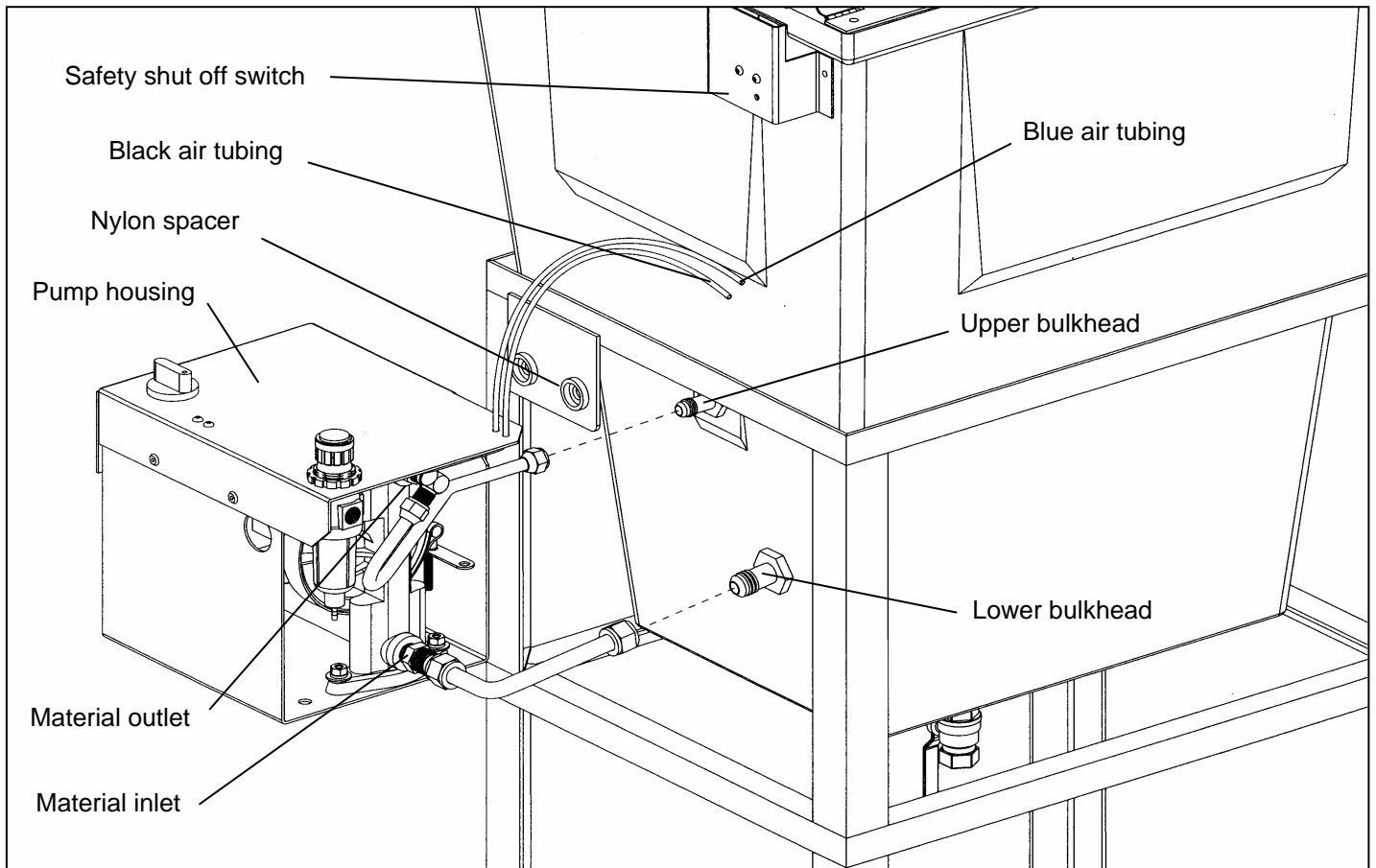
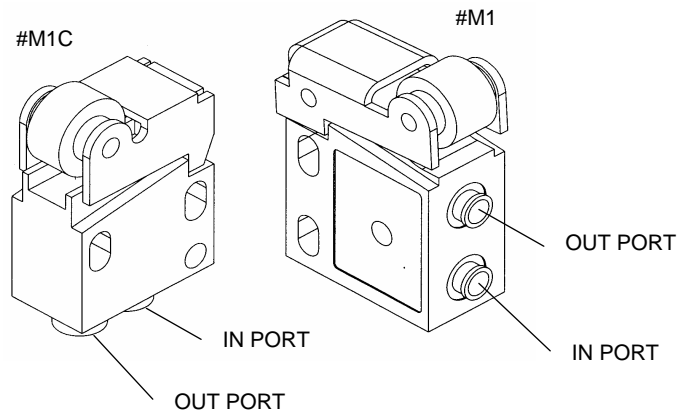
5) Connect the blue plastic air tubing running from the housing (timer cut off switch) to the in port of the safety shut-off switch at the lid. The switch is shielded by an aluminum panel. See drawings. Press tubing in through the collar until seated in the black, roller safety shut-off switch. The hose must bottom out in the switch. Then, pull firmly to test for a tight connection.

In the same way, connect the black plastic air tubing line running from housing (pump) to the out port of the safety shut-off switch at the lid. Again press tubing in through the collar until seated in the roller safety shut-off switch. The hose must bottom out in the switch. Then, pull firmly to test for a tight connection.

6) Install your own 1/4" male connector into the filter-regulator inlet at the back of the pump housing. **IMPORTANT:** Hand tighten your air coupler male connector into the filter-regulator inlet. Then, wrench tighten it 1/4 turn only.

7) Connect a shop air line of 65-120 psi. The paint gun washer's filter-regulator is factory preset and locked at 65 psi. **DO NOT ATTEMPT TO CHANGE THIS SETTING.**

8) Connect the coiled ground wire attached at the front of the pump to the shop's ground. Route the wire through the housing and out the back.



Preparing and Starting the Gun Washer

- 1) Replace solvent intake filter inside the tub with the new filter provided.
- 2) Apply operating instructions decal to top of lid.
- 3) Fill gun washer tub with 5 gallons of new solvent. A high quality, slow evaporating solvent is recommended for the best and long run economical cleaning. Use DuPont 3661S or equivalent.
- 4) The paint gun washer is started by turning the black timer knob located at the top front of the housing. Turn knob clockwise 1/4 turn or 90 degrees. This starts the pump and the timer.
- 5) The timer will run 90 seconds and then cut off the air supply stopping the gun washer. To re-start the gun washer, turn the timer knob again.
- 6) If the lid is opened prior to the end of the timing cycle, the safety air cutoff switch will stop the pump. Note: The mechanical timer will continue to run.
- 7) The pump will start again when the lid is closed if time remains on the mechanical timer.
- 8) For a full 90 second timing cycle, turn the knob clockwise 90 degrees. Turning the knob less than 90 degrees will reduce the timing cycle.