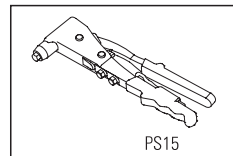
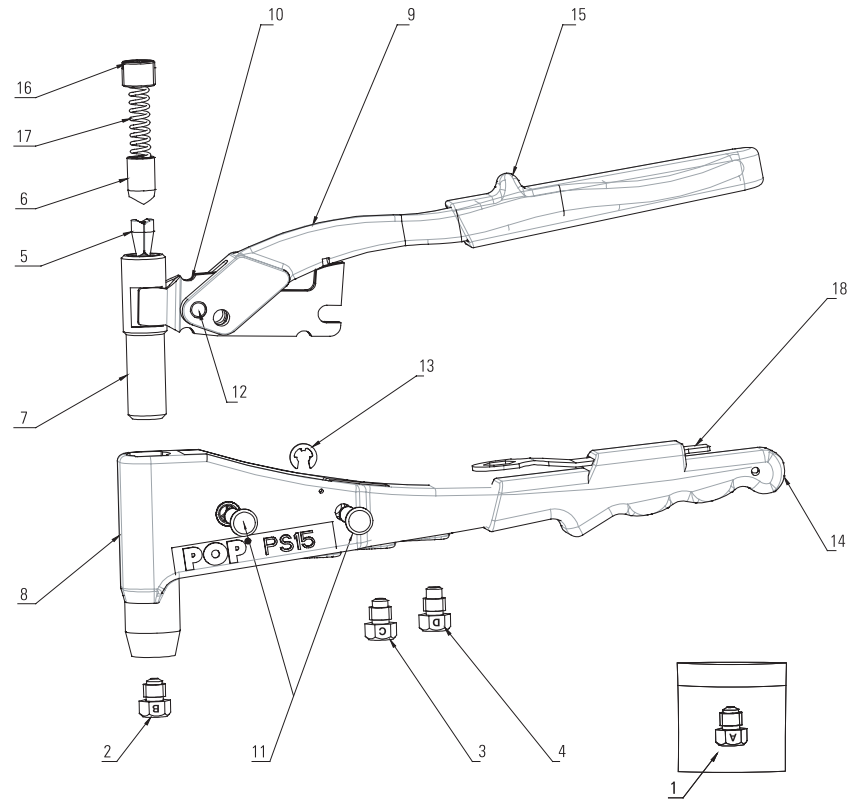
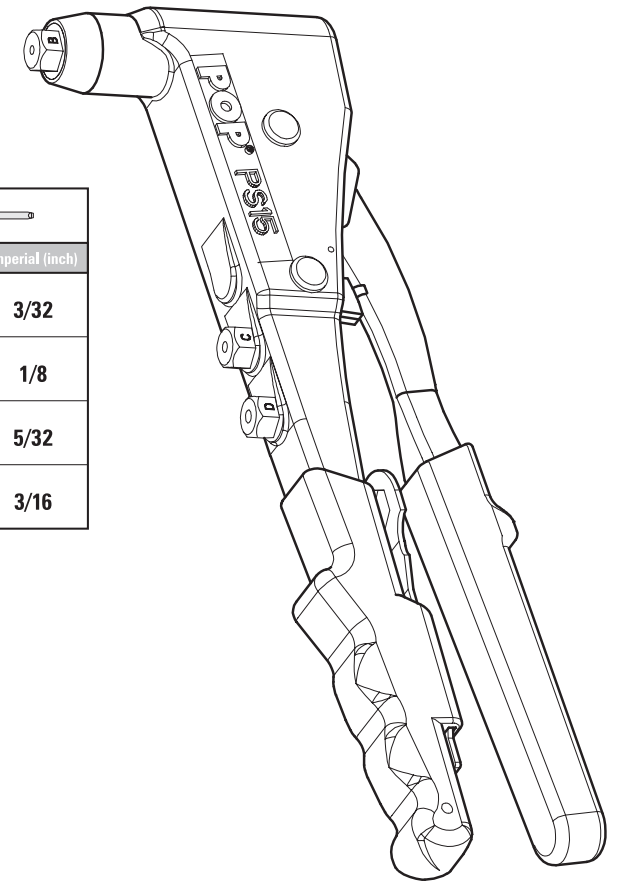


POPSet™ PS15

HeliCoil

Professional Hand Plier Rivet Tool

POP®



1	DPM400-A08	1
2	DPM400-B08	1
3	DPM400-C08	1
4	DPM400-D08	1
5	DPM400-084	1
6	DPM400-086	1
7	DPM400-083	1
8	FAM400-068	1
9	DPM400-067	1

10	FAM400-080	1
11	DPM400-077	2
12	DPM400-078	1
13	DPM400-079	2
14	DPM400-072	1
15	DPM400-073	1
16	DPM400-087	1
17	DPM400-089	1
18	DPM400-088	1

Nosepiece	Part Number	Metric (mm)		Imperial (inch)	
A	DPM400-A08	2,4	3/32		
B	DPM400-B08	3,0 - 3,2	1/8		
C	DPM400-C08	4,0	5/32		
D	DPM400-D08	4,8 - 5,0	3/16		

