

HEAT HOG™

PORTABLE PROPANE HEATER INSTRUCTION MANUAL

MODE D'EMPLOI DE LA CHAUFFERETTE PORTATIVE AU PROPANE

CALENTADOR DE PROPANO PORTÁTIL MANUAL DE INSTRUCCIONES

▲ WARNING: When this heater is used as a camp heater for indoor use, it can only be used in the US and in the location allowed where local authorities have jurisdiction. Do not use this heater indoors in Canada.

▲ AVERTISSEMENT : Lorsque cette chaufferette est utilisée comme chaufferette de camping à l'intérieur, elle peut seulement l'être aux États-Unis et dans des emplacements permis relevant de la compétence des autorités locales. Ne pas utiliser cette chaufferette à l'intérieur au Canada.

▲ ADVERTENCIA: Cuando se usa este calentador como calentador para campamento en interiores, solo puede usarse en EE.UU. y en ubicaciones permitidas donde autoridades locales tengan jurisdicción. No use este calentador en interiores en Canadá.

FOR CANADA AND USA (MASSACHUSETTS) SALES.
POUR LE CANADA ET LES ÉTATS-UNIS
(MASSACHUSETTS) VENTES
PARA SU VENTA EN CANADÁ Y EE.UU.
(MASSACHUSETTS).

HH-09SLN-A
HH-18SLN-A



IF YOU HAVE QUESTIONS OR COMMENTS, CONTACT US.
POUR TOUTE QUESTION OU TOUT COMMENTAIRE, NOUS CONTACTER.
SI TIENE DUDAS O COMENTARIOS, CONTÁCTENOS.

HH-09SLN-A is certified as an indoor/outdoor camp heater under ANSI Z21.103-2017 for the US only and is certified as an outdoor camp heater under ANSI Z21.63/CSA 11.3 for both the US and Canada.

HH-18SLN-A is certified as an indoor/outdoor camp heater under ANSI Z21.103-2017 for the US only, and is certified as a GAS FIRED OUTDOOR INFRARED PATIO HEATER under ANSI Z83.26/CSA 2.371 for both the US and Canada.

HH-09SLN-A • HH-18SLN-A

For ANSI Z21.103-2017 INDOOR/OUTDOOR CAMP HEATER

▲ WARNING: FIRE OR EXPLOSION HAZARD

If you smell gas:

1. Do not attempt to light appliance.
2. Extinguish any open flame.
3. Disconnect fuel supply.
4. Leave the area immediately.
5. Allow gas to dissipate 5 minutes before relighting the appliance.

Do not store or use gasoline or other flammable vapors and liquids in the vicinity of this or any other appliance.

Failure to follow these instructions could result in fire or explosion, which could cause property damage, personal injury, or death.

▲ WARNING: CARBON MONOXIDE POISONING MAY CAUSE DEATH OR INJURY

When used without adequate combustion and ventilation air, heater may give off excessive CARBON MONOXIDE, an odorless, poisonous gas. This is an unvented gas-fired heater. This heater uses air (oxygen) from the area in which the heater is used. Adequate combustion and ventilation air must be provided. Refer to page 11.

▲ WARNING: When used without adequate combustion and ventilation air heater may give off excessive CARBON MONOXIDE, an odorless, poisonous gas.

DO NOT USE THIS HEATER UNTIL ALL NECESSARY PROVISIONS ARE MADE FOR COMBUSTION AND VENTILATION AIR. CONSULT THE WRITTEN INSTRUCTIONS PROVIDED WITH THE HEATER FOR INFORMATION CONCERNING COMBUSTION AND VENTILATION AIR.

▲ DANGER: FOR YOUR SAFETY

Do not store or use gasoline or other flammable vapors and liquids in the vicinity of this or any other appliance. A propane cylinder not connected for use shall not be stored in the vicinity of this or any other appliance.

⚠ WARNING: Improper installation, adjustment, alteration, service, or maintenance can cause injury or property damage. Refer to this manual. For assistance or additional information, consult a qualified installer, service agency, or the gas supplier.



⚠ DANGER: CARBON MONOXIDE HAZARD

This appliance can product carbon monoxide which has no odor. Using it in an enclosed space can kill you. Never use this appliance in an enclosed space such as a camper, tent, car, or home.

⚠ WARNING: FIRE OR EXPLOSION HAZARD

If you smell gas:

1. Do not attempt to light appliance and make sure appliance is in the "OFF" position
2. Extinguish any nearby flame.
3. Shut off the cylinder fuel supply valve, if so equipped.
4. Disconnect the disposable fuel cylinder. if so equipped
5. Leave the area immediately.
6. Allow gas to dissipate 5 minutes.
7. If gas smell has dissipated from the area, the appliance, and fuel supply, follow gas connection procedures. If you smell gas again, follow steps 1-6 and have appliance serviced. Failure to follow these instructions could result in fire or explosion, which could cause property damage, personal injury, or death.

⚠ DANGER: Do not store or use gasoline or other flammable vapors and liquids in the vicinity of this or any other appliance. A propane cylinder not connected for use shall not be stored in the vicinity of this or any other appliance.

⚠ DANGER: If you smell gas:

1. Shut off gas to the appliance.
2. Extinguish any open flame.
3. If odor continues, keep away from the appliance and immediately call your gas supplier or fire department.

⚠ WARNING: For outdoor use only.

⚠ WARNING: Improper installation, adjustment, alteration, service, or maintenance can cause injury, property damage, or death. Read the installation, operating and maintenance instructions thoroughly before installing or servicing this equipment.



⚠ DANGER: CARBON MONOXIDE HAZARD
This appliance can product carbon monoxide which has no odor. Using it in an enclosed space can kill you. Never use this appliance in an enclosed space such as a camper, tent, car, or home.

⚠ DANGER: FOR YOUR SAFETY
Do not store or use gasoline or other flammable vapors and liquids in the vicinity of this or any other appliance. A propane cylinder not connected for use shall not be stored in the vicinity of this or any other appliance.

⚠ WARNING: DO NOT TAMPER WITH THE SAFETY SYSTEM!

⚠ WARNING: CARBON MONOXIDE POISONING MAY LEAD TO DEATH!

Heater is not to be used with fixed pipe system.
Please retain instructions for future reference.

DEFINITIONS: SAFETY ALERT SYMBOLS AND WORDS

This instruction manual uses the following safety alert symbols and words to alert you to hazardous situations and your risk of personal injury or property damage.

⚠ DANGER: Indicates an imminently hazardous situation which, if not avoided, will result in **death or serious injury**.

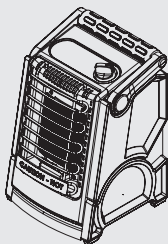
⚠ WARNING: Indicates a potentially hazardous situation which, if not avoided, could result in **death or serious injury**.


⚠ CAUTION: Indicates a potentially hazardous situation which, if not avoided, may result in **minor or moderate injury**.

⚠ (Used without word) Indicates a safety related message.

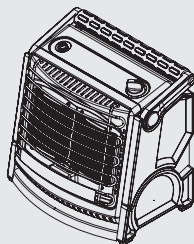
NOTICE: Indicates a practice not related to personal injury which, if not avoided, may result in **property damage**.


HEAT HOG® 9,000 BTU PORTABLE PROPANE HEATER



MODEL #	HH-09SLN-A
BTU	4,500 / 9,000
FUEL CONSUMPTION (LB./HR)	0.21 / 0.42
HEAT SETTINGS	2
MAXIMUM OPERATING HOURS (WITH 1-LB. TANK)	4.7 / 2.3
MINIMUM INLET PRESSURE	25 PSIG
MAXIMUM INLET PRESSURE	TANK PRESSURE
FUEL TYPE	USE ONLY 1-LB. LP (4" X 8", 10.2 CM X 20.3 CM) OR 20-LB. GAS CYLINDER (18" X 12.25", 45.7 CM X 31.1 CM)
HEATING AREA (FT.²)	225
MANIFOLD PRESSURE	11 INCHES WATER COLUMN
CERTIFICATION	

HEAT HOG® 18,000 BTU PORTABLE PROPANE HEATER




MODEL #	HH-18SLN-A
BTU	4,500 / 9,000 / 18,000
FUEL CONSUMPTION (LB./HR)	0.21 / 0.42 / 0.84
HEAT SETTINGS	3
MAXIMUM OPERATING HOURS (WITH OPTIONAL HOSE & REGULATOR)	4.7 / 2.3 / 1.1
MINIMUM INLET PRESSURE	25 PSIG
MAXIMUM INLET PRESSURE	TANK PRESSURE
FUEL TYPE	USE ONLY 1-LB. LP (4" X 8", 10.2 CM X 20.3 CM) OR 20-LB. GAS CYLINDER (18" X 12.25", 45.7 CM X 31.1 CM)
HEATING AREA (FT.²)	450
MANIFOLD PRESSURE	11 INCHES WATER COLUMN
CERTIFICATION	

Specifications subject to change without notice.

The HH-09SLN-A is designed and approved for use as a heater in accordance with Standard for gas camp heaters - for indoor/outdoor use - US only. ANSI Z21.103-2017. For Outdoor use- Canada and US only ANSI Z21.63:19/ CSA 11.3:19. The HH-18SLN-A is designed and approved for use as a heater in accordance with Standard for gas heaters for indoor/outdoor use - US only. ANSI Z21.103-2017. For Outdoor use- Canada and US only CSA/ANSI Z83.26:20 • CSA 2.37:20, this standard is for use as patio heater. CHECK WITH YOUR LOCAL FIRE SAFETY AUTHORITY IF YOU HAVE ANY QUESTIONS ABOUT APPLICATIONS. Other standards govern the use of fuel gasses and heating products for specific uses. Your local authority can advise you about these.

⚠ WARNING: Read all safety warnings and all instructions. Failure to follow the warnings and instructions may result in electric shock, fire, and/or serious injury.

 **WARNING:** To reduce the risk of injury, read the instruction manual.

⚠ WARNING: Never modify the product or any part of it. Damage or personal injury could result.

If you have any questions or comments about this or any product, call Heat Hog at **800.641.6996**.

HH-09SLN-A / HH-18SLN-A**GENERAL HAZARD WARNING**

⚠ DANGER: Failure to comply with the precautions and instructions provided with this heater, can result in death, serious bodily injury and property loss or damage from hazards of fire, explosion, burn, asphyxiation, carbon monoxide poisoning and / or electric shock. Only persons who can understand and follow the instructions should use or service this heater. If you need assistance or heater information such as an instructions manual, label, etc. contact the manufacturer.

SAVE ALL WARNINGS AND INSTRUCTIONS FOR FUTURE REFERENCE**SAFETY INFORMATION**

⚠ WARNING: This product can expose you to chemicals, including lead, which are known to the State of California to cause cancer and birth defects or other reproductive harm. For more information go to www.P65Warnings.ca.gov.

⚠ WARNING: Fire, burn, inhalation, and explosion hazard. Keep solid combustibles, such as building materials, paper or cardboard, a safe distance away from the heater as recommended by these instructions. Never use the heater in spaces which do or may contain volatile or airborne combustibles, or products such as gasoline, solvents, paint thinners, dust particles or unknown chemicals. Keep all combustible materials, gasoline, and other flammable vapors and liquid away from this heater.

⚠ DANGER: Carbon Monoxide Hazard This heater produces carbon monoxide, which has no odor. Burning the heater in an enclosed space can kill you. Never use the heater in enclosed spaces such as a tent, a camper, any vehicle or recreational vehicle (RV), enclosed shelter, building, garage, or any other enclosed areas without adequate ventilation.

⚠ DANGER: If the information in this manual is not followed exactly, a fire or explosion may result causing property damage, personal injury or loss of life.

⚠ WARNING: If the recreational enclosure does not have a window or roof vent, **DO NOT USE THIS HEATER** inside.

⚠ WARNING: DO NOT OPERATE THIS HEATER UNTIL YOU HAVE READ AND THOROUGHLY UNDERSTAND THESE SAFETY AND OPERATING INSTRUCTIONS.

Failure to comply with the precautions and instructions provided with this heater can result in death, serious bodily injury, property loss or damage from the hazards of fire, explosions, burns, asphyxiation or carbon monoxide poisoning. Only persons who can read and understand these instructions should use or service this heater.

⚠ WARNING: EXTREMELY HOT DURING OPERATION! Do Not touch any metal components while in operation. Keep all combustible materials, gasoline, and other flammable vapors and liquid away from this heater.

⚠ WARNING: This heater is equipped with a SAFETY SYSTEM designed to turn off the heater if not enough fresh air is available.

DO NOT TAMPER WITH THE SAFETY SYSTEM!

If the heater shuts off, do not relight until you provide fresh air. If heater keeps shutting off, have the heater serviced. Keep burner and control compartment clean.

⚠ WARNING: RISK OF INDOOR AIR POLLUTION! The products described in this manual are propane direct-fired heaters. Direct-fired means that all of the combustion products of the heater enter the heated space. This appliance is rated at 98% combustion efficiency, but does produce small amounts of carbon monoxide. Carbon monoxide is toxic. Humans can tolerate only small amounts of carbon monoxide and so precautions should be taken to provide proper ventilation. Failure to provide proper ventilation in accordance with the instructions in this manual can result in death.

⚠ WARNING: Early signs of carbon monoxide poisoning resemble the flu, with headache, dizziness, and/or nausea. If you have these signs, the heater may not be working properly. **GET FRESH AIR AT ONCE!** Have heater serviced. Some people—pregnant women, persons with heart or lung disease, anemia, those under the influence of alcohol, those at high altitudes—are more affected by carbon monoxide than others.

SAFETY INFORMATION (CONT.)

⚠ DANGER: PROPANE IS AN EXPLOSIVE GAS. WHAT TO DO IF THE SMELL OF GAS IS PRESENT:

- DO NOT attempt to light the heater.
- Extinguish any open flame.
- Disconnect fuel supply.
- If odor continues, contact your local gas supplier or fire department.
- DO NOT touch or use any electric switch or any electric device that can cause a spark.
- Immediately call your gas supplier from a neighbor's phone. Follow the gas suppliers instructions.
- If you can not reach your gas supplier, call the fire department.
- Service must be done by a qualified service agency.

⚠ WARNING: RISK OF BURNS, FIRE, AND EXPLOSION!

- NEVER store or use gasoline or other flammable vapors and liquids in the vicinity of this heater.
- Young children should be carefully supervised when they are in the are of the heater.
- Clothing or other flammable materials should not be hung from the heater or placed on or near the heater.
- Any guard or other protective device removed for servicing the heater must be replaced prior to operating the heater.
- NEVER connect heater to an unregulated gas supply.
- NEVER modify this heater or operate a heater that has been modified.
- NEVER service, move or handle heater while still hot or operating

Keep all combustible materials, gasoline, and other flammable vapors and liquid away from this heater.

Minimum Clearance from Combustibles

MODEL #	FRONT	SIDES	TOP	REAR
HH-09SLN-A	40 in.	16 in.	40 in.	0 in.
HH-18SLN-A	40 in.	16 in.	40 in.	0 in.

⚠ CAUTION: HOT WHILE IN OPERATION. DO NOT TOUCH. KEEP CHILDREN, ANIMALS, CLOTHING, AND COMBUSTIBLES AWAY FROM HEATER. HIGH SURFACE

TEMPERATURES CAN CAUSE BURNS AND CLOTHING IGNITION

⚠ WARNING: For use with propane (LP) gas only.

- ALWAYS position the heater so that it is not directly exposed to water spray, rain, dripping water, or wind.
- Use heater in accordance with all local codes.
- This heater is shipped from the factory for use with propane (LP) gas only. Do not convert to any other gas. Installation must conform to local codes, or in their absence, with the standard for the Storage and Handling of Liquefied Petroleum Gases ANSI/NFPA 58 and the Natural Gas and Propane Installation Code CSA B149.1.
- Gas supply connections should be checked by using a 50/50 soap and water solution. Never use a flame to check for gas leaks.
- Use only the regulator and hose assembly purchased from Heat Hog. Inspect the regulator/hose assembly prior to each use of the heater. If there is excessive abrasion or wear, or if the hose is cut, replace it with the proper assembly prior to using the heater. The replacement hose assembly should follow manufacturer's specification.
- This heater is not for use on finished surfaces such as floors and tables.
- Never use in a moving vehicle.
- Do not use for cooking or reheating food.

⚠ WARNING: The hose assembly shall be protected from traffic, building material, and contact with hot surfaces both during use and while in storage. An enclosure for a propane gas cylinder shall be ventilated by openings at both the upper and lower levels of the enclosure. The effectiveness of the opening(s) for purposes of ventilation shall be:

- One side of the enclosure shall be completely open; or
- For an enclosure having four sides, a top and a bottom:
 - At least two ventilation openings shall be provided in the sidewalls of the enclosure, located at the valve level, equally sized, spaced at a minimum of 90 degrees (1.57 rad), and unobstructed. The opening(s) shall have a total free area

SAFETY INFORMATION (CONT.)

of not less than 1 in²/lb (14.2 cm²/kg) of stored fuel capacity.

- Ventilation opening(s) shall be provided at floor level of the enclosure and shall have a total free area of not less than 1/2 in²/lb (7.1 cm²/kg) of stored fuel capacity. If ventilation openings at floor level are in a sidewall, there shall be at least two openings. The bottom of the openings shall be 1 in (25.4 mm) or less from the floor level and the upper edge no more than 5 in (127 mm) above the floor level. The openings shall be equally sized, spaced at a minimum of 90 degrees (1.57 rad), and unobstructed.
- Every opening shall have minimum dimensions to permit the entrance of a 1/8 in (3.2 mm) diameter rod.
- Ventilation openings in sidewalls shall not communicate directly with other enclosures of the heater.

MODEL	HH-09SLN-A	HH-18SLN-A
4,500 BTU	LOW	LOW
9,000 BTU	HIGH	MEDIUM
18,000 BTU	—	HIGH

⚠ WARNING: RISK OF FIRE! ALWAYS LOCATE HEATER ON A STABLE AND LEVEL SURFACE!

⚠ WARNING: NEVER LEAVE HEATER UNATTENDED WHILE BURNING, CONNECTED TO A POWER SOURCE, OR WHILE CONNECTED TO A FUEL SOURCE.

⚠ WARNING: Use only disposable cylinders marked with the proper fuel type.

- Do not leave this appliance unattended while in operation. Keep children and pets away from the appliance at all times.

- A propane fired portable heater used for emergency home use shall not be set at an input setting in excess of 5,000 BTU/Hr (466 W) when located in a bathroom and shall not be set at an input setting of more than 10,000 BTU/Hr (2,931 W) when located in a bedroom. The corresponding settings for bedroom or bathroom use shall be clearly adjustment means.
- Items stored under the heater will be subject to radiant heater and could be seriously damaged.
- Children and adults should be alerted to the hazards of high surface temperatures and should stay away to avoid burns or clothing ignition.
- Any guard or other protective device removed for servicing the heater must be replaced prior to operation of the heater.
- Installation and repair should be done by a qualified service person. The heater should be inspected before use and at least once every year by a qualified service person. More frequent cleaning may be required as necessary. It is imperative that the control compartment, burners, and circulating air passageways of the heater be kept clean.
- Appliance may shut down in windy conditions in excess of 3 miles per hour (4.83 kilometers per hour).
- When a heater is used with a remote propane cylinder the user must ensure that the propane cylinder meets specifications for self-contained propane gas cylinder enclosures, outlined on page 5.

SAFETY INFORMATION (CONT.)

ENCLOSURES FOR SELF-CONTAINED PROPANE GAS SUPPLY SYSTEMS

An enclosure for a propane gas cylinder shall be ventilated by openings at both the upper and lower levels of the enclosure. The effectiveness of the opening(s) for purposes of ventilation shall be determined with the propane gas supply cylinder in place. This shall be accompanied by one of the following:

- a) One side of the enclosure shall be completely open; or
- b) For an enclosure having four sides, a top and a bottom :
 - i) At least two ventilation openings shall be provided in the sidewalls of the enclosure, located at the valve level, equally sized, spaced at a minimum of 90 degrees (1.57 rad), and unobstructed. The opening(s) shall have a total free area of not less than 1 in²/lb (14.2 cm²/kg) of stored fuel capacity.
 - ii) Ventilation opening(s) shall be provided at floor level of the enclosure and shall have a total free area of not less than ½ in²/lb (7.1 cm²/kg) of stored fuel capacity. If ventilation openings at floor level are in a sidewall, there shall be at least two openings. The bottom of the openings shall be 1 in (25.4 mm) or less from the floor level and the upper edge no more than 5 in (127 mm) above the floor level. The openings shall be equally sized, spaced at a minimum of 90 degrees (1.57 rad), and unobstructed .
 - iii) Every opening shall have minimum dimensions to permit the entrance of a 1/8 in (3.2 mm) diameter rod.
 - iv) Ventilation openings in sidewalls shall not communicate directly with other enclosures of the heater.

The cylinder valve shall be readily accessible for hand operation. A door on the enclosure to gain access to the cylinder valves is acceptable, provided it is non-locking and can be opened without the use of tools. Designs using a cover to gain access to the cylinder and cylinder valve shall be provided with handles or equivalent at a minimum of 180 degrees apart to facilitate lifting of the cover.

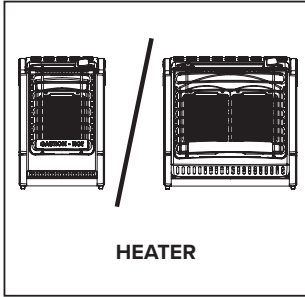
The enclosure for the propane gas cylinder shall isolate the cylinder from the burner compartment to provide

- a) Shielding from radiation;
- b) A flame barrier; and
- c) Protection from foreign material, such as hot drippings.

There shall be a minimum clearance of 2 in (50.8 mm) between the floor of the propane gas cylinder enclosure and the ground.

Leak tested inside the enclosure. When the appliance is equipped with a CGA No. 600 connection, the cylinder must be disconnected when the heater is not in use.

WHAT'S IN THE BOX

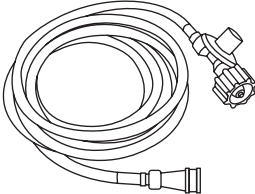
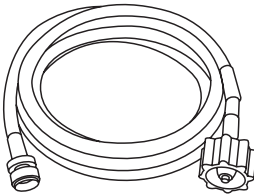


UNPACKING

1. Remove all packing items applied to heater for shipment. Keep plastic cover caps attached to inlet connector and hose / regulator assembly for storage.
2. Remove all items from carton.
3. Check all items for shipping damage. If the heater is damaged, promptly inform dealer where you purchased the heater.

For HH-18SLN-A, electronic ignitor AAA battery is not included.

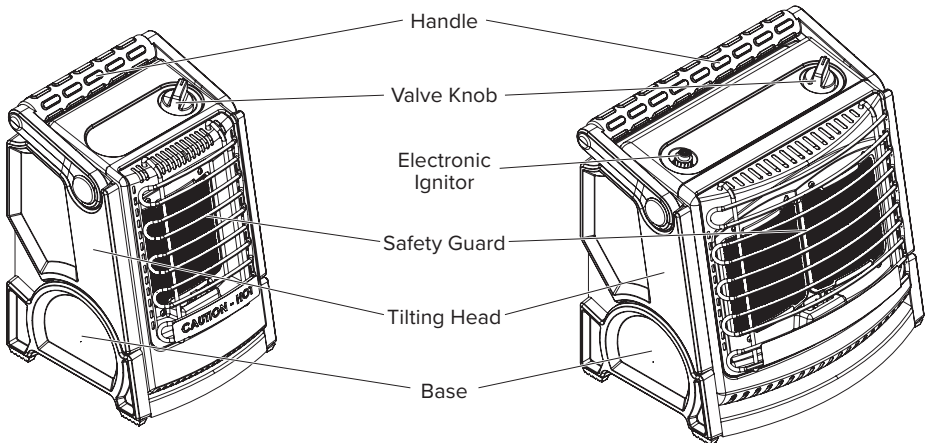
ACCESSORIES

<p>GC-00670</p>  <p>HOSE AND REGULATOR HH-18SLN-A Only (Sold Separately)</p>	<p>GC-00671</p>  <p>20-LB. ADAPTER (Sold Separately)</p>
<p>This hose and regulator is not suitable for CSA/ANSI Z83.26:20 • CSA 2.37:20: Gas-Fired outdoor infrared patio heaters</p>	<p>This connection assembly is not suitable for CSA/ANSI Z83.26:20 • CSA 2.37:20: Gas-Fired outdoor infrared patio heaters</p>

Only use Heat Hog branded accessories.

Call 800.641.6996 or visit us at HeatHog.com to order parts and accessories.

FEATURES



OPERATION

Propane Supply / Information:

Propane (LP)

This heater is not supplied with a propane cylinder. Use only an approved propane cylinders.

LP Characteristics

- Flammable, explosive under pressure, heavier than air and pools in low areas.
- In its natural state, propane has no odor, but for your safety an odor that smells like rotten cabbage has been added.
- Contact of propane (LP) gas with the skin can cause freeze burns.
- Heater is manufactured for use with propane gas only. DO NOT attempt to convert to any other gas. Such modifications are dangerous and will void the warranty.
- When heater is not in use, LP Cylinder must be removed.
- Be sure that the LP Cylinder is located on a level and stable surface.
- DO NOT use this heater in a basement or below ground level. Propane is heavier than air and will always seek the lowest level. If you suspect a leak, shut off the valve at the LP Cylinder immediately.

Basic Information

NOTE: The Heat Hog Portable Propane Heater can be used outdoors, but users may experience nuisance shutoffs due to certain wind conditions.

- In cold temperatures, the heat plaques may take a few minutes to get visibly hot. This is normal operation.
- It is normal for a small border around the edge of the heat plaques to not glow while operating.
- The guard that protects the user from the heat plaques gets very hot during operation. It has a special temperature resistant coating. The first time the heater is turned on, you may notice smoke or fumes emanating from the protective guard or the heater. This is normal and should stop after a few minutes.
- If you notice actual flames or any operation that does not meet the description in this

manual, turn the heater off and call a qualified service technician.

- Minimum operating and storage temperature is -20°F (-28.8°C)

Tilting Head Feature

The Heat Hog Portable Propane Heater features a patent pending tilting function that allows you to tilt the top portion of the heater up to 30° to direct heat to various heights.

- Turn heater to the OFF position.
- From the back side of the heater (opposite of the heating plaques and guard) place one hand on the top of the back side of the heater and one hand on the handle; see Figure 1.
- ! **CAUTION:** If heater has been previously operating, the wire guard will remain hot. Allow guard to cool before handling.
- Gently push down on the top of the heater until you hear the tilt mechanism click.
- Keep tilting until desired angle is reached or you reach the limit of the tilting function.

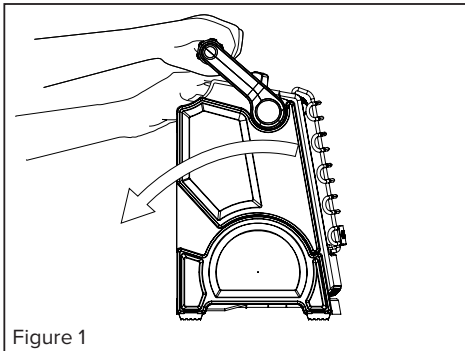


Figure 1

- Follow the Lighting & Operation instructions for continued usage.

! **CAUTION:** To avoid potential injury, do not adjust tilting angle while unit is operating.

Checking for Leaks

- To check for leaks, make up a 50/50 solution of dish soap and water. Apply this solution to all gas connections. If bubbles appear, there is a leak. If a leak is found, turn off the gas supply, and re-connect the leaking connection. If the leak persists after several tries, contact Heat Hog Service at 800.641.6996.

OPERATION (CONT.)

- The installation of this heater must meet all local codes and/or gas utility requirements. In the absence of local codes, the National Fuel Code ANSI Z223.1 should be followed.
- The minimum clearances to any combustible construction materials must be maintained at all times (See Page 3).
- Inspect the heater before each use, and at least annually by a qualified service person.

⚠ WARNING: EXTREMELY HOT during operation. Do Not touch any metal components while in operation. Keep gasoline and any other flammable liquids away from the heater.

The Heat Hog Portable Propane Heater may not burn as bright when operating at altitudes over 2,000 FT. above sea level. This is normal. At these high altitudes, the unit may shut off sporadically due to lower levels of oxygen. If this happens, provide fresh air and wait 5 minutes and re-light. Localized atmospheric conditions may cause heater to not re-light.

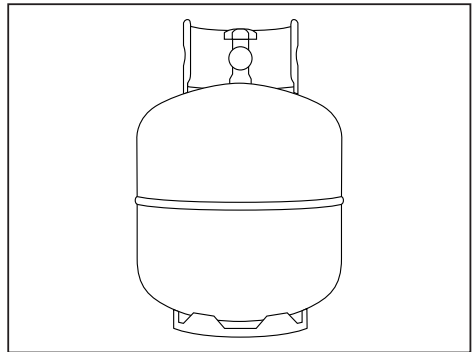
- In general, operating time will vary depending on the heater setting and the supply cylinder size. Up to 3 to 6 hours on a 1 lb. cylinder. Up to 48 to 110 hours on a 20 lb. cylinder (based on "HI" and "LO" settings). Run times of LP gas can be significantly reduced when operating continuously at temperatures below 20°F. The Heat Hog is designed to keep your 1lb cylinder warm. When using a 20 lb. tank, you may notice a decrease in BTU output.
- Your Heat Hog Portable Propane Heater is equipped with a tip-over safety switch. When moving the heater when lit, bumping heater, setting it down or adjusting the heating angle, the tip over switch may shut off heater. If this happens, be sure the base is level and re-light.
- Condensation may build up on 1lb LP cylinder and drip under heater. This may cause frost on the bottom of the cylinder or may refreeze under or around the heater. This is due to the natural operation of small LP cylinders and is normal.
- If heater shuts off, do not relight until you provide fresh air. If heater keeps shutting off, have the heater serviced. Keep burner and control compartment clean.

Lighting & Operating Instructions for Use with Disposable 1 Lb. Propane Cylinder

⚠ WARNING: Always inspect propane cylinder and heater propane connections for damage, dirt, and debris before attaching propane cylinder. Do not use if head of cylinder is damaged, punctured or deteriorated.

ALWAYS ATTACH OR DETACH CYLINDER OUTDOORS AWAY FROM FLAMES, OTHER SOURCES OF IGNITION, AND ONLY WHEN HEATER IS COOL TO TOUCH.

- Use only LP-gas cylinders marked in accordance with the U.S. Department of Transportation (DOT) or CSA B339, as applicable. Cylinders must be provided with a listed overfill protection device.
- Use only 1-lb. disposable cylinders (16.4 oz.) that mate with No. 600 valve connection, marked propane.
- Keep heater and cylinder in an upright position during operation.
- Before attaching propane make sure Control Knob on heater is in "OFF" position; see Figure 2.
- Tilt the regulator outward from the back and screw the 1-lb. disposable LP-gas cylinder clockwise (from bottom) into unit until hand-tight; see Figure 3. DO NOT use thread sealant on this connection.



- Be sure to inspect all connections for leaks, by using a 50/50 mixture of dish soap and water on all connection. Any bubbles forming indicate a leak.
- Heater must not be exposed to flammable vapors or liquids during lighting.

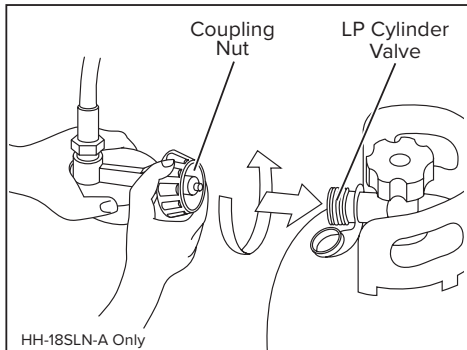
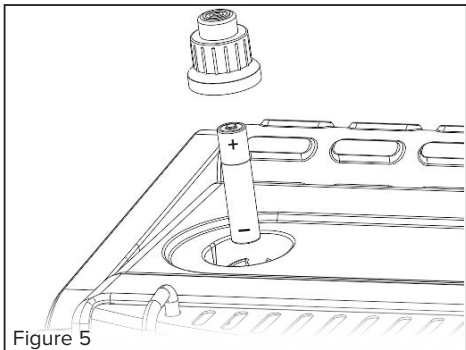
OPERATION (CONT.)

- For **HH-09SNL-A** turn Control Knob counterclockwise to “PILOT” position and depress knob to light; see Figure 2.
- If pilot light does not light, release and depress again. Repeat until pilot lights.
- After pilot lights, continue to hold Control Knob down for 30–60 seconds until heating plaques are lit and thermocouple is hot. Release knob. Knob should return to fully extended position; see Figure 2.
- To operate heater slightly depress knob and gently turn to desired setting.
- For **HH-18SNL-A** To install the AAA battery for the electronic ignitor, remove the ignitor top housing counterclockwise by hand. Place the AAA battery into the electronic ignitor bottom housing with the positive “+” terminal button facing up, see Figure 5. Reinstall the electronic ignitor top housing clockwise.
- Turn Control Knob counterclockwise to “PILOT” position and depress knob and hold down; see Figure 4.
- Press ignition button from behind the heater while still holding the Control Knob down until pilot lights. If pilot does not light, repeat steps.
- After pilot lights, hold Control Knob down for 30–60 seconds until heating plaques are lit and thermocouple is hot. Release knob. Knob should return to fully extended position; see Figure 2.
- To operate heater slightly depress knob and gently turn to desired setting.

Lighting & Operating Instructions for Use with Hose Connected to a Remote Cylinder, Maximum Size 20 Lb.

The Propane (LP) cylinder must also be equipped with the following:

- A collar to protect the gas valve.
 - A shut-off valve terminating a LP cylinder valve outlet as specified in the American National Standard for Compressed Gas Cylinder Valve Outlets and Inlets Connections.
 - A safety relief valve having direct communications with the vapor space of the LP cylinder.
 - Do not store a spare propane gas cylinder under or near this appliance.
 - Never fill the cylinder beyond 80% full.
 - Place the dust cap on the cylinder valve outlet whenever the cylinder is not in use. Only install the type of dust cap on the cylinder valve that is provided with the cylinder valve. Other types of caps or plugs may result in leakage of propane.
 - The heater must operate on vapor withdrawal from the operating cylinder.
 - Heater must be in an upright position during operation.
- ⚠ DANGER:** NEVER bring a refillable propane cylinder indoors. A fire or explosion can occur causing property damage, serious injury or death!
- Inspect the hose before each use. If there is excessive abrasion or wear, or the hose is cut, replace prior to use. Keep hose out of pathways where people may trip over it or or in areas where the hose may be subject to accidental damage.



HH-18SLN-A Only

- Keep heater and cylinder in an upright position during operation.
- Before attaching propane make sure Control Knob on heater is in “OFF” position; see Figure 4.
- Be sure to inspect all connections for leaks, by using a 50/50 mixture of dish soap and water on all connection. Any bubbles forming indicate a leak.
- Follow operating instructions for your model.

Shut Down Instructions Using 1 Lb. Disposable Cylinder

- To shut off heater, slightly push down and turn Control Knob clockwise to “OFF” position.
- ⚠ CAUTION:** After turning heater off, wire guard will remain hot. Allow guard to cool before handling and storing.
- Do not operate, store, or remove cylinder near flammable items or ignition sources.
 - A cylinder shall be stored outdoors in a well ventilated area out of the reach of children. A disconnected cylinder shall have dust caps tightly installed and shall not be stored in a building, garage, or any other enclosed area.
 - LP-GAS CYLINDERS MUST BE DISCONNECTED FROM HEATER WHEN NOT IN USE!

Shut Down Instructions Using 20 Lb. Tank

- To shut off heater, shut off propane at supply tank first, allow heater to use up propane in supply line until heater shuts off, then slightly push down and turn Control Knob clockwise to “OFF” position.
- ⚠ CAUTION:** After turning heater off, wire guard will remain hot. Allow guard to cool before handling and storing.
- Do not operate, store, or remove cylinder near flammable items or ignition sources.
 - Cylinders must be stored outdoors out of the reach of children and must not be stored in a building, garage, or any other enclosed area.
 - LP-GAS CYLINDERS MUST BE DISCONNECTED FROM HEATER WHEN NOT IN USE!

⚠ DANGER: CARBON MONOXIDE POISONING MAY LEAD TO DEATH!

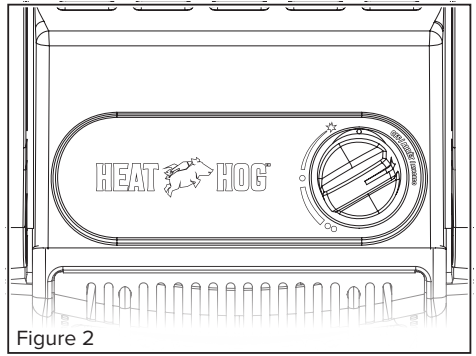


Figure 2

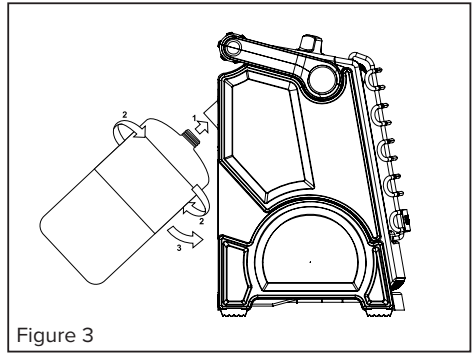


Figure 3

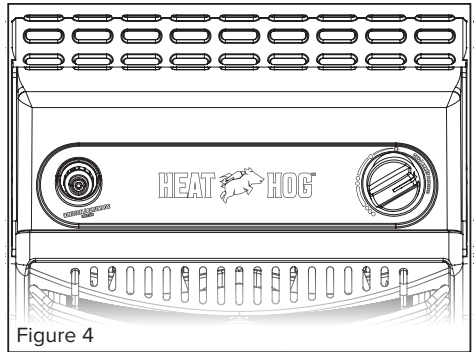


Figure 4

VENTILATION

Heater shall be used only in a well-ventilated space and shall not be used in a building, garage, or any other enclosed area.

Heater may be used with shelter no more inclusive than the following:

- With walls on all sides, but with no overhead cover.
- Within a partial enclosure, which includes an overhead cover and no more than two side walls. These side walls may be parallel, as in a breezeway, or at right angles to each other.

- Within a partial enclosure which includes an overhead cover and three side walls, as long as 30% or more of the horizontal periphery of the enclosure is permanently open.
- Heater shall only be used in a well-ventilated space and shall not be used in a building, garage, or any other enclosed area.

STORAGE / MAINTENANCE

Always disconnect the LP cylinder from the regulator assembly and remove the LP cylinder from the heater before putting the heater into storage. If, for any reason, the heater is to be stored in-doors, the heater **MUST** be disconnected from the LP cylinder, and the cylinder stored outdoors in a well-ventilated area, out of the reach of children, and in accordance with the Standard for Storage and Handling of Liquefied Gasses, ANSI/NFPA 58 and Natural Gas and Propane Installation Code, CSA B149.1- latest edition. The plastic valve plug or valve cover supplied with the LP cylinder must be reinstalled on the valve to protect the fitting from damage.

NOTE: Repair of this heater should be done by a qualified service person.

It is recommended that you save all the packaging materials that came with your heater, and re-package the heater using these materials for safe storage.

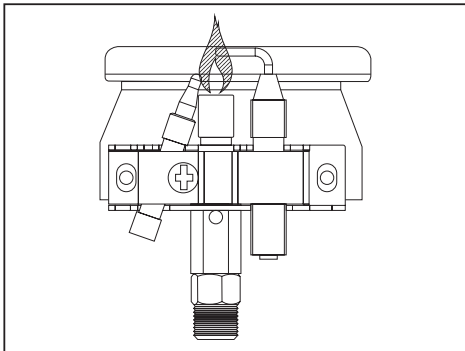
Debris, dust, and dirt inside of the heater body can affect the performance of your heater. This debris can impair the heater's ability to draw air for ventilation and combustion. Spiderwebs can also appear during periods of inactivity.

Be sure to inspect the heater before each use to look for any such obstructions. Be sure to keep the air passageways (the slots below and above the heater plaques), burner and combustion areas clean. Wipe with a damp cloth or use a vacuum cleaner to clean these areas. It is suggested that you perform a thorough cleaning at least once every 30 days of operation. You may need to clean the heater more often if conditions are naturally dirty.

Keep heater area clear and free from combustible materials, gasoline, and other flammable vapors and liquids.

Clean the ceramic plaques using compressed air (max. 30 PSI) to prevent damage to plaques. A yellow tip of the pilot flame indicates that the burner area may be in need of cleaning. Inspect and clean the pilot (mounted to bracket) by using a vacuum or apply air pressure through the holes in the pilot Figure 4.

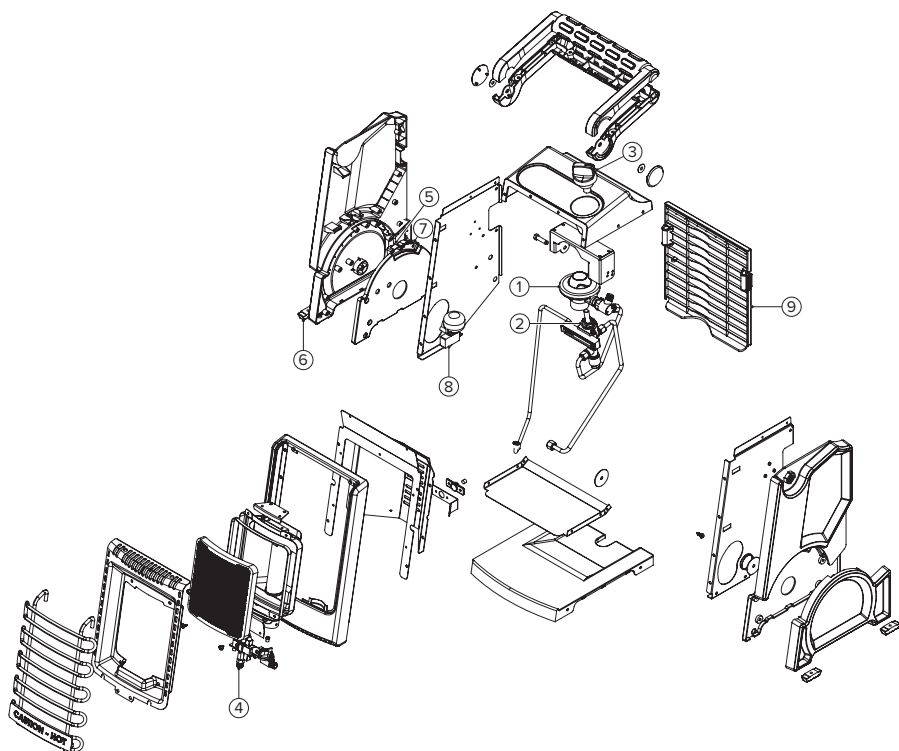
- ⚠ WARNING:** Never use sharp objects to clean the pilot. Avoid damaging the precisely calibrated pilot orifice that controls the gas flow.
- ⚠ DANGER:** Never store an LP cylinder inside of a building or near any other gas or oil burning applications.
- ⚠ CAUTION:** Always be sure that the heater has been allowed to cool for at least 30 minutes before attempting to store, service, or perform maintenance.



TROUBLESHOOTING GUIDE

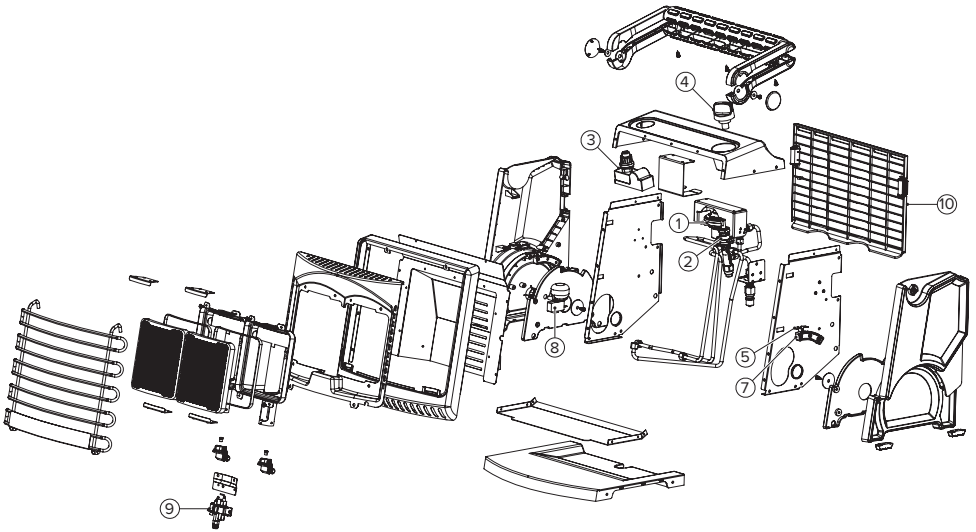
PROBLEM	POSSIBLE CAUSE	SOLUTION
Unit will not create a spark.	1. Spark electrode broken.	1. Replace electrode, part of ODS (Oxygen Depletion Sensor).
	2. Igniter wire may not be attached to spark electrode.	2. Attach spark electrode.
	3. Ground wire may not be attached to frame.	3. Attach ground to frame.
	4. Igniter wire damaged.	4. Replace igniter wire
	5. Piezo igniter defective or broken.	5. Replace piezo, part of gas valve assembly.
	6. HH-18SLN-A Only: Battery needs to be replaced.	6. Replace with a new AAA non-rechargeable battery.
Spark but not lighting.	1. No propane to heater.	1. Check propane level, replace disposable cylinder or connect hose and turn on valve at remote cylinder.
	2. "PILOT" position not properly aligned.	2. Be sure knob is in pilot position.
	3. Pilot is blocked from spider web or dirt.	3. Clean pilot, see STORAGE / MAINTENANCE section.
Pilot will not stay lit.	1. Control knob not in "PILOT" position.	1. Ensure knob is in Pilot Position.
	2. New cylinders and tanks need fuel line purged of air.	2. Depress knob in pilot position for 5 seconds before spark to purge air from lines.
	3. Pilot flame not surrounding thermocouple.	3. Clean pilot, see Maintenance section.
	4. Pilot flame too small to reach thermocouple.	4. Clean pilot; be sure enough fresh air ventilation.
	5. Tip-switch is activated.	5. Be sure heater base is fairly level.
	6. Location is too windy.	6. Be sure heater is facing away from wind or placed in a protected area.
Pilot stays lit, but main burner will not ignite.	1. Main burner orifice is blocked.	1. Clean heating plaques, see Maintenance section.
	2. Location is too windy.	2. Be sure heater is facing away from wind or placed in a protected area.
Main burner goes out periodically.	1. Pilot is partially blocked.	1. Clean pilot, see maintenance.
	2. Oxygen Depletion Sensor (ODS) is sensing low oxygen level.	2. Provide minimum fresh air opening of 9 square inches, see section on Carbon Monoxide.
	3. Tip-over switch is activating.	3. Make sure unit base is fairly level. Re-light.
	4. Low gas pressure.	4. Check fuel level. Replace LP regulator if faulty.
Burner goes out when heat angle is changed.	1. Tip-over switch is activated.	1. Make sure base is fairly level and secure before tilting heater. Tilt heater head slower, avoid shaking heater.

Call Technical Services at 800.641.6996 or visit us at HeatHog.com for additional troubleshooting information, videos and FAQs.

EXPLODED VIEW (HH-09SLN-A)**PARTS LIST (HH-09SLN-A)**

ITEM #	DESCRIPTION	HH-09SLN-A
1	Gas Regulator	GC-00374
2	Gas Control Valve	EL-00061
3	Gas Control Valve Knob	GC-00094
4	ODS Pilot	EL-00060
5	Tilt Detent Spring	GC-00143
6	Rubber Foot	GC-00167
7	Tilt Detent	GC-00170
8	Tip Switch	50-017-0065
9	Rear Cover Panel	GC-00098

Call Technical Services at 800.641.6996 or visit us at HeatHog.com to order spare parts.

EXPLODED VIEW (HH-18SLN-A)**PARTS LIST (HH-18SLN-A)**

ITEM #	DESCRIPTION	HH-18SLN-A
1	Gas Regulator	GC-00156
2	Gas Control Valve	EL-00062
3	Electronic Igniter	EL-00063
4	Gas Control Valve Knob	GC-00111
5	Tilt Detent Spring	GC-00143
6	Rubber Foot	GC-00167
7	Tilt Detent	GC-00170
8	Tip Switch	50-017-0065
9	ODS Pilot	EL-00060
10	Rear Cover Panel	GC-00118

Call Technical Services at 800.641.6996 or visit us at HeatHog.com to order spare parts.



LIMITED WARRANTY

Pinnacle Climate Technologies, Inc. warrants this product to the original retail purchaser only, to be free from defects in material and workmanship for a period of one (1) year from the date of initial purchase. This product must be properly installed, maintained and operated in accordance with the instructions provided.

Pinnacle Climate Technologies, Inc. requires reasonable proof of your date of purchase from an authorized retailer or distributor. Therefore, you should keep your sales slip, invoice, or cancelled check from the original purchase. This Limited Warranty shall be limited to the repair or replacement of parts, which prove defective under normal use and service within the warranty period, and which **Pinnacle Climate Technologies, Inc.** shall determine at its reasonable discretion.

This warranty does not apply to products purchased for rental use.

This Limited Warranty does not cover replacement of belts or tightening of belts, or any failures or operating difficulties due to normal wear and tear, accident, abuse, misuse, alteration, misapplication, improper installation or improper maintenance and service by you or any third party. Failure to perform normal and routine maintenance on the fan, shipping damage, damage related to insects, birds, or animals of any kind, and damage due to weather conditions are also not covered. In addition, the Limited Warranty does not cover damage to the finish, such as scratches, dents, discoloration, rust or other weather damage, after purchase.

All transportation costs for the return of the damaged product or parts will be the responsibility of the purchaser. Upon receipt of damaged item, **Pinnacle Climate Technologies, Inc.** will examine the item and determine if defective.

Pinnacle Climate Technologies, Inc. will repair or replace and return the item, freight pre-paid. If **Pinnacle Climate Technologies, Inc.** finds the item to be in normal operating condition, or not defective, the item will be returned freight collect.

This Limited Warranty is in lieu of all other express warranties. **Pinnacle Climate Technologies, Inc.** disclaims all warranties for products that are purchased from sellers other than authorized retailers or distributors.

AFTER THE PERIOD OF THE ONE (1) YEAR LIMITED WARRANTY EXPIRES, **Pinnacle Climate Technologies, Inc.** DISCLAIMS ANY AND ALL IMPLIED WARRANTIES, INCLUDING WITHOUT LIMITATION THE IMPLIED WARRANTIES OF MERCHANTABILITY AND FITNESS FOR A PARTICULAR APPLICATION. FURTHER, **Pinnacle Climate Technologies, Inc.** SHALL HAVE NO LIABILITY WHATSOEVER TO PURCHASER OR ANY THIRD PARTY FOR ANY SPECIAL, INDIRECT, PUNITIVE, INCIDENTAL, OR CONSEQUENTIAL DAMAGES. **Pinnacle Climate Technologies, Inc.** assumes no responsibility for any defects caused by third parties. This Limited Warranty gives the purchaser specific legal rights; a purchaser may have other rights depending upon where he or she lives. Some states do not allow the exclusion or limitation of special, incidental or consequential damages, or limitations on how long a warranty lasts, so the above exclusion and limitations may not apply to you.

Pinnacle Climate Technologies, Inc. does not authorize any person or company to assume for it any other obligation or liability in connection with the sale, installation, use, removal, return, or replacement of its equipment, and no such representations are binding on **Pinnacle Climate Technologies, Inc.**

Always be sure to specify the model number and serial number when making any claim with **Pinnacle Climate Technologies, Inc.** For your convenience, use the space provided below to list this information.

Model #: _____

Serial #: _____

Date of Purchase: _____

Le modèle HH-09SLN-A est homologué comme une chaufferette de camping intérieure/extérieure en vertu de la norme ANSI Z21.103-2017 uniquement pour les États-Unis, elle est homologuée comme une chaufferette de camping extérieure en vertu de la norme ANSI Z21.63/CSA 11.3 à la fois pour les États-Unis et le Canada.

Le modèle HH-18SLN-A est homologué comme une chaufferette de camping intérieure/extérieure en vertu de la norme ANSI Z21.103-2017 uniquement aux États-Unis, elle est homologuée comme une CHAUFFERETTE EXTÉRIEURE INFRAROUGE AU GAZ POUR TERRASSE en vertu de la norme ANSI Z83.26/CSA 2.371 à la fois pour les États-Unis et le Canada.

HH-09SLN-A • HH-18SLN-A

Norme ANSI Z21.103-2017 : CHAUFFERETTE INTÉRIEURE/EXTÉRIEURE DE CAMPING

▲ AVERTISSEMENT : RISQUE D'INCENDIE OU D'EXPLOSION

Si une odeur de gaz se dégage :

- 1). N'essayez pas d'allumer l'appareil.
- 2). Éteignez toute flamme nue.
- 3). Débranchez l'alimentation en carburant.
- 4). Quittez les lieux immédiatement.
- 5). Laissez le gaz se dissiper pendant 5 minutes avant de rallumer l'appareil.

N'entreposez pas et n'utilisez pas d'essence ou d'autres vapeurs et liquides inflammables à proximité de ce gril ou de tout autre appareil.

La non-observation de ces instructions peut provoquer un incendie ou une explosion et entraîner des dommages matériels et des blessures qui pourraient se révéler mortelles.

▲ AVERTISSEMENT : L'EMPOISONNEMENT AU MONOXYDE DE CARBONE PEUT ENTRAÎNER LA MORT OU DES BLESSURES

La chaufferette doit recevoir une quantité suffisante d'air de combustion et de ventilation, sinon elle produira un excès de MONOXYDE DE CARBONE, un gaz toxique inodore. Cette chaufferette à gaz est non raccordée. Cette chaufferette utilise l'air ambiant (oxygène) de l'espace où elle est utilisée. Une quantité d'air suffisante pour la combustion et pour la ventilation doit être fournie. Voir à la page 11.

▲ AVERTISSEMENT : La chaufferette doit recevoir une quantité suffisante d'air de combustion et de ventilation, sinon elle produira un excès de MONOXYDE DE CARBONE, un gaz toxique inodore.

NE PAS UTILISER CETTE CHAUFFERETTE SANS AVOIR AU PRÉALABLE PRIS TOUTES LES MESURES NÉCESSAIRES POUR LUI FOURNIR UN AIR DE COMBUSTION ET DE VENTILATION SUFFISANT. CONSULTER LES INSTRUCTIONS ÉCRITES FOURNIES AVEC LA CHAUFFERETTE POUR S'INFORMER SUR L'AIR DE COMBUSTION ET DE VENTILATION.

⚠ DANGER: POUR VOTRE SÉCURITÉ

N'entreposez pas et n'utilisez pas d'essence ou d'autres vapeurs et liquides inflammables à proximité de ce gril ou de tout autre appareil. N'entreposez pas de bouteille de propane liquide non raccordée à proximité de cette chaufferette ou d'un autre appareil ménager.

⚠ AVERTISSEMENT : Une installation, un réglage, une modification, un une réparation ou un entretien inadéquats présentent des risques de blessure, de dommage matériel ou de décès. Lisez attentivement les instructions d'installation d'utilisation et d'entretien avant d'installer ou de réparer cet appareil.



⚠ DANGER : DANGER DE MONOXYDE DE CARBONE

Cet appareil peut émettre du monoxyde de carbone, une substance qui n'a pas d'odeur. Son utilisation dans un espace clos représente un danger mortel. N'utilisez jamais cet appareil dans un espace clos tel qu'une autocaravane, une tente, une voiture ou une maison.

⚠ AVERTISSEMENT : RISQUE D'INCENDIE OU D'EXPLOSION

Si une odeur de gaz se dégage :

1. Ne tentez pas d'allumer l'appareil et assurez-vous qu'il est en position « OFF » (arrêt).
2. Éteignez toute flamme nue.
3. Fermez le robinet d'alimentation en gaz de la bouteille, le cas échéant.
4. Débranchez la bouteille de gaz jetable, le cas échéant.
5. Quittez les lieux immédiatement.
6. Laissez le gaz se dissiper pendant 5 minutes.
7. Si l'odeur de gaz s'est dissipée de la zone, de l'appareil et de l'alimentation en gaz, suivez les procédures de branchement du gaz. Si vous percevez de nouveau une odeur de gaz, suivez les étapes 1 à 6 et faites réparer l'appareil.

La non-observation de ces instructions peut provoquer un incendie ou une explosion et entraîner des dommages matériels et des blessures qui pourraient se révéler mortelles.

⚠ DANGER : N'entreposez pas et n'utilisez pas d'essence ou d'autres vapeurs et liquides inflammables à proximité de ce gril ou de tout autre appareil.

N'entreposez pas de bouteille de propane liquide non raccordée à proximité de cette chaufferette ou d'un autre appareil ménager.

⚠ DANGER : Si une odeur de gaz se dégage :

- 1). Coupez le gaz à l'appareil.
- 2). Éteignez toute flamme nue.
- 3). Si l'odeur persiste, tenez-vous à l'écart de l'appareil et communiquez immédiatement avec votre fournisseur de gaz ou appelez le service incendie.

⚠ AVERTISSEMENT : Pour usage à l'extérieur seulement.

⚠ AVERTISSEMENT : Une installation, un réglage, une modification, une réparation ou un entretien incorrect peut causer des blessures ou des dommages matériels. Consultez ce manuel. Pour obtenir de l'aide ou d'autres renseignements, consultez un installateur qualifié, un centre d'entretien ou le fournisseur de gaz.



⚠ DANGER : DANGER DE MONOXYDE DE CARBONE

Cet appareil peut émettre du monoxyde de carbone, une substance qui n'a pas d'odeur. Son utilisation dans un espace clos représente un danger mortel. N'utilisez jamais cet appareil dans un espace clos tel qu'une autocaravane, une tente, une voiture ou une maison.

⚠ DANGER: POUR VOTRE SÉCURITÉ

N'entreposez pas et n'utilisez pas d'essence ou d'autres vapeurs et liquides inflammables à proximité de ce gril ou de tout autre appareil. N'entreposez pas de bouteille de propane liquide non raccordée à proximité de cette chaufferette ou d'un autre appareil ménager.

⚠ AVERTISSEMENT : NE PAS MODIFIER LE SYSTÈME DE SÉCURITÉ!

⚠ AVERTISSEMENT : L'EMPOISONNEMENT AU MONOXYDE DE CARBONE PEUT ENTRAÎNER LA MORT!

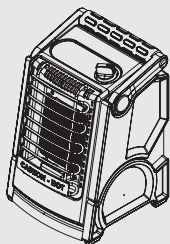
L'appareil de chauffage ne doit pas être utilisé avec une tuyauterie fixe.


Veillez conserver ces instructions pour consultation ultérieure.

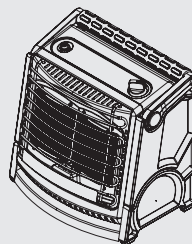
DÉFINITIONS : SYMBOLES D'AVERTISSEMENT ET TERMES RELATIFS À LA SÉCURITÉ


Ce mode d'emploi utilise les symboles et les termes suivants, relatifs à la sécurité, afin de vous informer de situations dangereuses et des risques de blessures personnelles ou de dommages matériels.

- ⚠ DANGER :** Signale une situation éminemment dangereuse qui, si certaines précautions ne sont pas prises, **entraînera des blessures graves, voire mortelles.**
- ⚠ AVERTISSEMENT :** Indique une situation potentiellement dangereuse qui, si elle n'est pas évitée, **pourrait causer des blessures graves, voire mortelles.**
- ⚠ Mise en garde :** Indique une situation potentiellement dangereuse qui, si elle n'est pas évitée, **risque de causer des blessures mineures, voire modérées.**
- ⚠ (Utilisés sans mention)** Indique un message de sécurité connexe.
- AVIS :** Indique une pratique non liée à une blessure personnelle qui, si elle n'est pas évitée, **risque de causer des dommages matériels.**

**CHAUFFERETTE PORTATIVE AU PROPANE
HEAT HOG^{MD} DE 9 000 BTU**


MODÈLE N°	HH-09SLN-A
BTU	4 500/9 000
CONSOMMATION DE CARBURANT (LB/H)	0,21/0,42
RÉGLAGES DE CHALEUR	2
NOMBRE MAXIMAL D'HEURES DE FONCTIONNEMENT (AVEC UN RÉSERVOIR DE 1 LB)	4,7/2,3
PRESSIION D'ALIMENTATION MINIMALE	25 PSIG
PRESSIION D'ALIMENTATION MAXIMALE	PRESSIION DU RÉSERVOIR
TYPE DE CARBURANT	UTILISEZ SEULEMENT AVEC UNE BOUTEILLE DE GAZ DE 1 LB (4 PO X 8 PO, 10,2 CM X 20,3 CM) OU AVEC UNE BONBONNE DE GAZ DE 20 LB (18 PO X 12,25 PO, 45,7 CM X 31,1 CM)
SURFACE CHAUFFÉE (PI²)	225
PRESSIION AU COLLECTEUR :	11 PO DE COLONNE D'EAU
CERTIFICATIONS	

**CHAUFFERETTE PORTATIVE AU PROPANE
HEAT HOG^{MD} DE 18 000 BTU**


MODÈLE N°	HH-18SLN-A
BTU	4 500/9 000/18 000
CONSOMMATION DE CARBURANT (LB/H)	0,21/0,42/0,84
RÉGLAGES DE CHALEUR	3
NOMBRE MAXIMAL D'HEURES DE FONCTIONNEMENT (AVEC TUYAU ET RÉGULATEUR EN OPTION)	4,7/2,3/1
PRESSIION D'ALIMENTATION MINIMALE	25 PSIG
PRESSIION D'ALIMENTATION MAXIMALE	PRESSIION DU RÉSERVOIR
TYPE DE CARBURANT	UTILISEZ SEULEMENT AVEC UNE BOUTEILLE DE GAZ DE 1 LB (4 PO X 8 PO, 10,2 CM X 20,3 CM) OU AVEC UNE BONBONNE DE GAZ DE 20 LB (18 PO X 12,25 PO, 45,7 CM X 31,1 CM)
SURFACE CHAUFFÉE (PI²)	450
PRESSIION AU COLLECTEUR :	11 PO DE COLONNE D'EAU
CERTIFICATIONS	

Caractéristiques modifiables sans préavis.

Le modèle HH-09SLN-A est conçu et homologué pour une utilisation en tant que chaufferette de camping à gaz – Utilisation prévue à l'intérieur ou à l'extérieur – É.-U. seulement, ANSI Z21.103-2017. Utilisation prévue à l'extérieur – Canada et É.-U. seulement, ANSI Z21.63:19/CSA 11.3:19. Le modèle HH-18SLN-A est une chaufferette conçue et homologuée suivant les normes d'utilisation Utilisation prévue à l'extérieur – Canada et É.-U. seulement, CSA/ANSI Z83.26:20 • CSA 2.37:20; cette norme concerne une utilisation en tant que chaufferette pour terrasse. **VÉRIFIER AVEC LE SERVICE LOCAL DES INCENDIES EN CAS DE QUESTIONS SUR LES UTILISATIONS.** D'autres normes régissent les utilisations spécifiques de gaz combustibles et de produits de chauffage. Les autorités locales peuvent vous informer sur ces dernières.

- ⚠ AVERTISSEMENT :** Veuillez lire toutes les consignes de sécurité et les instructions. La non-observation de toutes les consignes et instructions fournies ci-après peut entraîner une décharge électrique, un incendie ou de graves blessures.

⚠ AVERTISSEMENT : Pour réduire les risques de blessures, veuillez lire le mode d'emploi.

- ⚠ AVERTISSEMENT :** Ne modifiez jamais le produit ni aucune de ses pièces. Des blessures corporelles ou des dommages matériels pourraient survenir.

Pour toute question ou tout commentaire concernant ceci ou tout autre produit, appelez au numéro sans frais 800 641-6996.

HH-09SLN-A / HH-18SLN-A**AVERTISSEMENT GÉNÉRAL CONCERNANT LE DANGER**

! **DANGER** : Le non-respect des mises en garde et des instructions fournies avec cette chaufferette peut entraîner la mort, de graves blessures et des dommages matériels résultant d'un incendie, d'une explosion, de brûlures, d'asphyxie, d'empoisonnement au monoxyde de carbone ou d'une décharge électrique. Seules les personnes qui peuvent comprendre et suivre ces instructions doivent utiliser cet appareil de chauffage ou en effectuer l'entretien. Pour obtenir de l'aide ou de l'information sur l'appareil de chauffage, comme une notice de mode d'emploi ou une étiquette, joindre le fabricant.

CONSERVEZ TOUTES LES CONSIGNES DE SÉCURITÉ ET DE FONCTIONNEMENT POUR POUVOIR LES CONSULTER ULTÉRIEUREMENT**CONSIGNES DE SÉCURITÉ**

! **AVERTISSEMENT** : Ce produit peut vous exposer à des produits chimiques, notamment du plomb, reconnus dans l'Etat de Californie comme cause de cancer, de malformations congénitales ou d'autres troubles de la reproduction. Pour plus d'informations, consulter www.P65Warnings.ca.gov.

! **AVERTISSEMENT** : Risques d'incendie, de brûlure, d'inhalation et d'explosion. Maintenez les combustibles solides tels que les matériaux de construction, le papier ou les cartons à une distance raisonnable de l'appareil de chauffage, conformément aux instructions. N'utilisez jamais l'appareil de chauffage dans des endroits qui contiennent ou pourraient contenir des combustibles volatiles, des aérosols ou des produits tels que de l'essence, des solvants, des diluants, des particules de poussière ou des produits chimiques inconnus. Gardez tous les matériaux combustibles, l'essence et autres vapeurs et liquides inflammables à l'écart de cette chaufferette.

! **DANGER** : **Danger lié au monoxyde de carbone**. Cette chaufferette produit du monoxyde de carbone, qui n'a pas d'odeur. Utiliser cette chaufferette dans un espace clos peut causer la mort. N'utilisez jamais la chaufferette dans des espaces clos comme une tente, une autocaravane, tout véhicule ou véhicule récréatif (VR), un abri fermé, un bâtiment, un garage ou tout autre type d'espace clos ventilation.

! **DANGER** : Si les informations contenues dans ce manuel ne sont pas suivies à la lettre, un incendie ou une explosion peuvent survenir et causer des dommages matériels, des blessures ou la mort.

! **AVERTISSEMENT** : Si l'enceinte de loisir n'est pas dotée d'une fenêtre ou d'un événement de toit, N'UTILISEZ PAS CETTE CHAUFFERETTE à l'intérieur.

! **AVERTISSEMENT : N'UTILISEZ PAS CETTE CHAUFFERETTE AVANT D'AVOIR LU ET PARFAITEMENT COMPRIS CES CONSIGNES DE SÉCURITÉ ET D'UTILISATION.** Le non-respect des précautions et des instructions fournies avec cet appareil peut entraîner la mort, des blessures corporelles graves, la perte ou des dommages aux biens causés par les risques d'incendie, une explosion, des brûlures, une asphyxie ou un empoisonnement au monoxyde de carbone. Seules les personnes qui peuvent lire et comprendre les présentes directives doivent utiliser ou faire l'entretien de cette chaufferette.

! **AVERTISSEMENT : CET APPAREIL EST EXTRÊMEMENT CHAUD PENDANT SON FONCTIONNEMENT!** Ne touchez à aucun composant en métal pendant le fonctionnement. Gardez tous les matériaux combustibles, l'essence et autres vapeurs et liquides inflammables à l'écart de cette chaufferette.

! **AVERTISSEMENT** : Cette chaufferette est équipée d'un SYSTÈME DE SÉCURITÉ conçu pour l'éteindre si la quantité d'air frais disponible est insuffisante.

NE MODIFIEZ PAS LE SYSTÈME DE SÉCURITÉ!

Si la chaufferette s'éteint, ne la rallumez pas avant un apport d'air frais. Si la chaufferette continue de s'éteindre, faites-la réparer. Maintenez le brûleur et le bloc-commande propres.

! **AVERTISSEMENT : RISQUE DE POLLUTION DE L'AIR INTÉRIEUR!** Les produits décrits dans ce manuel sont des chaufferettes à feu direct alimentées au propane. Feu direct signifie que tous les produits de combustion de la chaufferette entrent dans l'espace chauffé. Le rendement nominal de combustion de cet appareil est 98 %, mais il produit néanmoins de petites quantités de monoxyde de carbone. Le monoxyde de carbone est toxique. Les êtres humains peuvent en tolérer seulement de petites quantités; des précautions doivent donc être prises pour assurer une ventilation adéquate. Une ventilation non adéquate, en violation des consignes figurant dans ce manuel, peut entraîner la mort.

! **AVERTISSEMENT** : Les signes précurseurs d'un empoisonnement au monoxyde de carbone sont comparables à une grippe avec maux de tête, étourdissements ou nausées. Si vous éprouvez ces symptômes, l'appareil de chauffage pourrait ne pas fonctionner correctement. **SORTEZ IMMÉDIATEMENT RESPIRER DE L'AIR FRAIS!** Faites réparer la chaufferette. Certaines personnes – les femmes enceintes, les personnes souffrant d'une maladie cardiaque ou pulmonaire, ayant les facultés affaiblies par l'alcool ou qui se trouvent en haute altitude – sont plus susceptibles d'être affectées par le monoxyde de carbone.

CONSIGNES DE SÉCURITÉ (SUITE)**! DANGER : LE PROPANE EST UN GAZ EXPLOSIF! QUE FAIRE SI UNE ODEUR DE GAZ EST DÉTECTÉE :**

- NE tentez PAS d'allumer la chaufferette.
- Éteignez toute flamme nue.
- Débranchez l'alimentation en carburant.
- Si l'odeur persiste, appelez le fournisseur de gaz local ou le service des incendies.
- NE touchez PAS ou N'utilisez PAS un commutateur électrique ou un appareil électrique qui pourrait produire une étincelle.
- Appelez immédiatement le fournisseur de gaz à partir du téléphone d'un voisin. Suivez les instructions du fournisseur de gaz.
- Si le fournisseur de gaz ne peut être joint, appelez le service des incendies.
- La réparation doit être effectuée par un centre d'entretien agréé.

! AVERTISSEMENT : RISQUES DE BRÛLURES, D'INCENDIE ET D'EXPLOSION!

- N'entreposez et n'utilisez JAMAIS d'essence ou d'autres vapeurs ou liquides inflammables à proximité de cette chaufferette ou de tout autre appareil.
- Les jeunes enfants qui se trouvent à proximité de la chaufferette doivent être étroitement surveillés.
- Les vêtements ou autres articles inflammables à proximité de la chaufferette ne doivent pas être suspendus près de la chaufferette ni placés au-dessus ou à proximité de celle-ci.
- Tout cache ou autre dispositif de protection retiré au fins d'entretien de la chaufferette doit être remis en place avant l'utilisation de celle-ci.
- Ne connectez JAMAIS une chaufferette à une alimentation en gaz sans régulation.
- NE modifiez JAMAIS cette chaufferette ou n'utilisez jamais une chaufferette qui a été modifiée.
- NE déplacez et ne manipulez JAMAIS la chaufferette lorsqu'elle est en marche ou encore chaude.

Gardez tous les matériaux combustibles, l'essence et autres vapeurs et liquides inflammables à l'écart de cette chaufferette.

Dégagement minimal par rapport aux combustibles

MODÈLE N°	AVANT	CÔTÉS	HAUT	ARRIÈRE
HH-09SLN-A	101 cm (40 po)	41 cm (16 po)	101 cm (40 po)	0 cm (0 po)
HH-18SLN-A	101 cm (40 po)	41 cm (16 po)	101 cm (40 po)	0 cm (0 po)

! AVERTISSEMENT : CHAUD EN FONCTIONNEMENT. NE PAS TOUCHER. GARDER HORS DE LA PORTÉE DES ENFANTS ET DES ANIMAUX ET À L'ÉCART DES VÊTEMENTS OU DE TOUT MATÉRIAU COMBUSTIBLE. DES TEMPÉRATURES ÉLEVÉES DES SURFACES POURRAIENT**CAUSER DES BRÛLURES ET ENFLAMMER LES VÊTEMENTS.****! AVERTISSEMENT : Utilisation prévue avec du gaz propane (GPL) seulement.**

- Placez TOUJOURS la chaufferette de façon à ne pas l'exposer directement aux pulvérisations d'eau, à la pluie, aux gouttes d'eau ou au vent.
- Utilisez la chaufferette conformément à tous les codes locaux.
- Cette chaufferette est expédiée de l'usine dans le but d'être utilisée avec du gaz propane (GPL) exclusivement. Elle ne doit pas être convertie pour un autre gaz. L'installation doit être conforme aux codes locaux, ou en leur absence, avec la norme du Storage and Handling of Liquefied Petroleum Gases ANSI/NFPA 58 et du Code d'installation du propane et du gaz naturel CSA B149.1.
- Vérifiez les raccords d'alimentation en gaz avec une solution de 50/50 d'eau et de savon. N'utilisez jamais une flamme pour détecter des fuites de gaz.
- N'utilisez que l'ensemble de régulateur et tuyau fourni avec cette chaufferette. Inspectez l'ensemble régulateur/tuyau avant chaque utilisation de la chaufferette. Si l'abrasion ou l'usure est excessive, ou si le tuyau est coupé, remplacez-le par l'ensemble qui convient avant d'utiliser la chaufferette. L'ensemble de tuyau de remplacement doit respecter la fiche technique du fabricant.
- Cette chaufferette n'est pas conçue pour une utilisation sur des planchers ou sur des tables.
- Ne l'utilisez jamais dans un véhicule en déplacement.
- Ne l'utilisez pas pour la cuisson ou pour le réchauffage d'aliments.

! AVERTISSEMENT : L'ensemble de tuyauterie doit être protégé de la circulation, des matériaux de construction et de tout contact avec des surfaces chaudes, durant l'utilisation et pendant l'entreposage. Une enceinte pour une bouteille de gaz propane doit être ventilée par des ouvertures à la fois aux niveaux supérieur et inférieur. L'efficacité des ouvertures à des fins de ventilation doit être :

- Un côté de l'enceinte doit être complètement ouvert; ou
- Pour une enceinte ayant quatre côtés, une au-dessus et une au-dessous :
- Au moins deux ouvertures de ventilation doivent être fournies dans les parois latérales de l'enceinte, au niveau du robinet, de taille égale, espacées d'un minimum de 90 degrés (rayon de 1,57) et non obstruées. La ou les ouvertures doivent présenter une surface libre totale d'au moins 14,2 cm²/kg (1 po²/lb) de capacité en combustible entreposé.

CONSIGNES DE SÉCURITÉ (SUITE)

- La ou les ouvertures doivent se trouver au niveau du plancher de l'enceinte et présenter une surface libre totale d'au moins 7,1 cm²/kg (1/2 po²/lb) de capacité en combustible entreposé. Si la ventilation au niveau du plancher se trouve dans un mur latéral, il doit y avoir au moins deux ouvertures. Le bas des ouvertures doit se trouver à une distance de 25,4 mm (1 po) ou moins du niveau du sol et le bord supérieur à une distance de 127 mm (5 po) ou moins au-dessus du niveau du sol. Les ouvertures doivent être de mêmes tailles et également distancées à un angle de 90 degrés (rayon de 1,57) et non obstruées.
- Chaque ouverture doit présenter des dimensions minimales pour permettre l'insertion d'une tige d'un diamètre de 3,2 mm (1/8 po).
- Les ouvertures de ventilation dans les murs latéraux ne doivent pas communiquer directement avec d'autres enceintes de la chaufferette.

la chaufferette doit obligatoirement être remis en place avant l'utilisation de celle-ci.

- L'installation et les réparations doivent être effectuées par un technicien d'entretien qualifié. L'appareil doit être inspecté avant chaque utilisation et au moins une fois par an par un technicien qualifié. Un nettoyage plus fréquent sera parfois nécessaire. Il est primordial de garder le bloc-commande, les brûleurs et les passages d'air de la chaufferette bien propres.
- L'appareil pourrait s'éteindre par temps venteux si les rafales sont de plus de 4,83 km/h (3 mi/h).
- Lorsqu'on utilise une chaufferette avec une bouteille de propane distante, il faut s'assurer que la bouteille est conforme aux normes pour les enceintes de bouteilles de gaz autonomes, indiquées à la page 5.

MODÈLE	HH-09SLN-A	HH-18SLN-A
4 500 BTU	BAS	BAS
9 000 BTU	ÉLEVÉ	MOYEN
18 000 BTU	–	ÉLEVÉ

⚠ AVERTISSEMENT : RISQUE D'INCENDIE! PLACEZ TOUJOURS LA CHAUFFERETTE SUR UNE SURFACE PLANE ET STABLE.

⚠ AVERTISSEMENT : NE LAISSEZ JAMAIS UNE CHAUFFERETTE ALLUMÉE SANS SURVEILLANCE, OU LORSQU'ELLE EST BRANCHÉE SUR UNE SOURCE D'ALIMENTATION OU DE COMBUSTIBLE.

⚠ AVERTISSEMENT : Utilisez seulement des bouteilles contenant le bon type de carburant selon leur marquage.

- Ne laissez pas l'appareil sans surveillance pendant qu'il fonctionne. Tenez en tout temps les enfants et les animaux domestiques à l'écart de l'appareil.
- Le réglage de débit calorifique d'une chaufferette portable au propane utilisée comme chauffage domestique d'urgence ne doit pas dépasser 5 000 BTU/h (466 W) dans une salle de bains (10 000 BTU/h (2 931 W) (dans une chambre). Ce réglage conforme à l'emplacement de la chaufferette (salle de bains ou chambre) est d'une importance primordiale.
- Les articles placés sous la chaufferette subissent un chauffage par rayonnement, pouvant entraîner des dommages importants.
- Prévenir les enfants et les adultes du danger des surfaces brûlantes; leur demander d'en rester éloignés pour éviter qu'ils se blessent ou que leurs vêtements prennent feu.
- Tout cache ou autre dispositif de protection retiré aux fins d'entretien de

CONSIGNES DE SÉCURITÉ (SUITE)

ENCEINTES POUR LES SYSTÈMES D'ALIMENTATION AU GAZ PROPANE AUTONOMES

L'enceinte d'une bouteille de gaz propane doit être ventilée par des ouvertures à la fois aux niveaux supérieur et inférieur. On doit s'assurer de l'efficacité des ouvertures de ventilation après avoir placé la bouteille de gaz propane. L'une des conditions suivantes doit en outre être remplie :

- a) Un côté de l'enceinte doit être complètement ouvert; ou
- b) Pour une enceinte ayant quatre côtés, une au-dessus et une au-dessous :
 - i) Au moins deux ouvertures de ventilation doivent être fournies dans les parois latérales de l'enceinte, au niveau du robinet, de taille égale, espacées d'un minimum de 90 degrés (rayon de 1,57) et non obstruées. La ou les ouvertures doivent présenter une surface libre totale d'au moins 14,2 cm²/kg (1 po²/lb) de capacité en combustible entreposé.
 - ii) La ou les ouvertures doivent se trouver au niveau du plancher de l'enceinte et présenter une surface libre totale d'au moins 7,1 cm²/kg (1/2 po²/lb) de capacité en combustible entreposé. Si la ventilation au niveau du plancher se trouve dans un mur latéral, il doit y avoir au moins deux ouvertures. Le bas des ouvertures doit se trouver à une distance de 25,4 mm (1 po) ou moins du niveau du sol et le bord supérieur à une distance de 127 mm (5 po) ou moins au-dessus du niveau du sol. Les ouvertures doivent être de mêmes tailles et également distancées à un angle de 90 degrés (rayon de 1,57) et non obstruées.
 - iii) Chaque ouverture doit présenter des dimensions minimales pour permettre l'insertion d'une tige d'un diamètre de 3,2 mm (1/8 po).
 - iv) Les ouvertures de ventilation dans les murs latéraux ne doivent pas communiquer directement avec d'autres enceintes de la chaufferette.

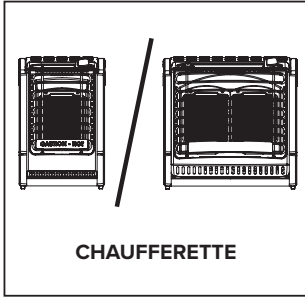
Le robinet de la bouteille doit être aisément accessible pour le tourner. Une porte pratiquée dans l'enceinte pour donner accès au robinet est acceptable, dans la mesure où elle n'a pas de verrou et peut être ouverte sous l'aide d'outils. Si l'enceinte comporte un couvercle (accès à la bouteille et au robinet), il doit avoir des poignées ou des pièces équivalentes également distancées à un angle de 180 degrés au minimum pour faciliter son ouverture.

L'enceinte de la bouteille de gaz propane doit isoler la bouteille du bloc des brûleurs de manière à assurer

- a) Un bouclier thermique ;
- b) Un pare-feu; et
- c) Une protection contre les corps étrangers, comme les égouttements brûlants.

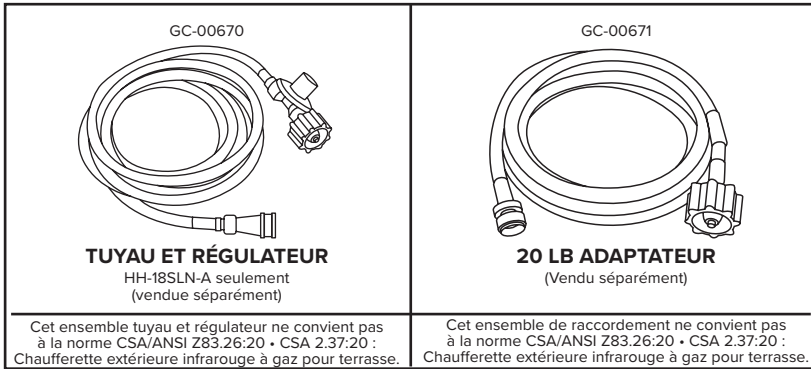
La hauteur libre entre le plancher de l'enceinte pour la bouteille de gaz propane et le sol doit être 50,8 mm (2 po) au minimum.

L'étanchéité de la bouteille dans l'enceinte doit être vérifiée. Lorsque l'appareil est muni d'un raccord CGA n° 600, on doit obligatoirement débrancher la bouteille lorsqu'on n'utilise pas la chaufferette.

CONTENU DE LA BOÎTE**DÉBALLAGE**

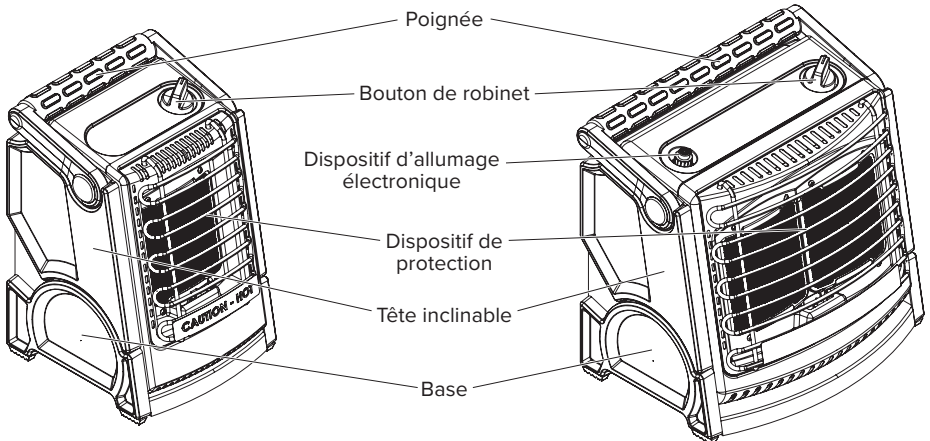
- 1). Déballez tous les articles appliqués à la chaufferette pour l'expédition. Gardez les capuchons en plastique attachés à l'ensemble connecteur d'entrée et tuyau/régulateur pour l'entreposage.
- 2). Enlevez tous les articles du carton.
- 3). Vérifiez qu'aucun article n'a été endommagé pendant le transport. Si la chaufferette est endommagée, informez immédiatement le détaillant qui vous l'a vendue.

Pour le HH-18SLN-A, la pile AAA du dispositif d'allumage électronique n'est pas comprise.

ACCESSOIRES

Utilisez uniquement des accessoires de marque Heat Hog.

Composez le 800 641-6996 ou visitez HeatHog.com pour commander d'autres pièces ou accessoires.

CARACTÉRISTIQUES

MODE D'EMPLOI

Informations/alimentation en propane :

Propane (GPL)

Cette chaufferette n'est pas vendue avec une bouteille de propane. Utilisez uniquement des bouteilles de propane approuvées.

Caractéristiques du GPL

- Inflammable, explosif si sous pression, plus lourd que l'air et s'accumule au ras du sol.
- Dans son état naturel, le gaz propane n'a aucune odeur, mais pour des raisons de sécurité un odorisant qui sent le chou pourri a été ajouté.
- Un contact du pétrole liquide avec la peau peut causer des brûlures par le froid.
- La chaufferette est conçue pour utiliser du gaz propane seulement. NE tentez PAS de la convertir vers un quelconque autre gaz. De telles modifications sont dangereuses et annulent la garantie.
- Lorsque la chaufferette n'est pas utilisée, la bouteille de GPL doit être retirée.
- Assurez-vous que la bouteille de GPL se trouve sur une surface plane et stable.
- N'utilisez PAS cette chaufferette dans un sous-sol ou au-dessous du niveau du sol. Le propane (GPL) est plus lourd que l'air, et recherchera toujours le niveau le plus bas. Si une fuite est suspectée, fermez immédiatement le robinet à la bouteille de propane.

Généralités

REMARQUE : La chaufferette portable au propane Heat Hog peut être utilisée à l'extérieur, mais les utilisateurs pourraient subir des coupures intempestives en raison du vent.

- Par temps froid, les plaques de chaleur peuvent prendre quelques minutes avant que l'on puisse percevoir qu'elles sont chaudes. Cela est normal.
- Il est normal qu'une petite bordure autour du bord des plaques de chaleur ne rougeoie pas pendant l'utilisation.
- La protection de l'utilisateur des plaques de chaleur devient très chaude durant l'utilisation. Elle comprend un revêtement spécial résistant à la température. La première fois que la chaufferette est allumée, il est possible d'apercevoir de la fumée ou des vapeurs s'échapper de la protection ou de la chaufferette. Cela est normal et s'arrêtera après quelques minutes.
- Si vous constatez des flammes ou un fonctionnement qui ne correspond pas à la description fournie dans le présent manuel, éteignez la chaufferette et appelez un technicien d'entretien qualifié.
- La température minimale de fonctionnement et d'entreposage est de -28,8 °C (-20 °F).

Fonction de tête inclinable

La chaufferette portable au propane Heat Hog se caractérise par une fonction d'inclinaison à brevet en instance qui vous permet d'incliner la partie supérieure de la chaufferette jusqu'à 30° pour diriger la chaleur à différentes hauteurs.

- Placez le bouton de la chaufferette à la position OFF (arrêt).
 - À partir de l'arrière de la chaufferette (du côté opposé aux plaques de chauffage et la protection), placez une main sur le dessus arrière de la chaufferette et l'autre sur la poignée; voir la figure 1.
- ⚠ AVERTISSEMENT :** Si la chaufferette a déjà fonctionné, la grille de protection restera chaude. Laissez la protection refroidir avant de manipuler la chaufferette.
- Poussez doucement sur le dessus de la chaufferette jusqu'à ce que vous entendiez le mécanisme d'inclinaison émettre un clic.
 - Continuez d'incliner la partie supérieure jusqu'à ce que vous atteigniez l'angle désiré ou la limite de la fonction d'inclinaison.

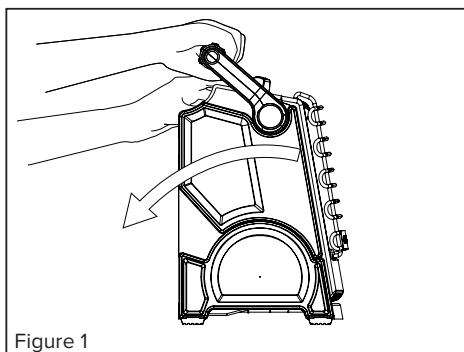


Figure 1

- Suivez les directives d'allumage et de fonctionnement pour une utilisation continue.

⚠ AVERTISSEMENT : Pour éviter des blessures éventuelles, ne réglez pas l'angle d'inclinaison pendant que l'unité fonctionne.

Essai d'étanchéité

- Pour vérifier qu'il n'y a pas de fuites, préparez une solution en mélangeant du savon à vaisselle et de l'eau à parts égales. Appliquez cette solution sur tous les raccords du gaz. Si des bulles apparaissent, il y a une fuite. Si une fuite est détectée, coupez l'alimentation en gaz et rebranchez le raccord qui fuit. Si la fuite persiste après plusieurs essais, communiquez avec le service technique de Heat Hog au numéro 800 641-6996.

FONCTIONNEMENT (SUITE)

- L'installation de la chaufferette doit être conforme aux codes locaux ou aux exigences des services de gaz. En l'absence de codes locaux, se conformer à la norme du National Fuel Code, ANSI Z223.1.
- Les dégagements minimaux par rapport aux matériaux de construction combustibles doivent être maintenus en tout temps (voir la page 3).
- La chaufferette doit être inspectée avant chaque utilisation, et au moins une fois par année par un technicien d'entretien qualifié.

⚠ AVERTISSEMENT : Cet appareil est **EXTRÊMEMENT CHAUD** pendant son fonctionnement. Ne touchez à aucun composant en métal pendant le fonctionnement. Gardez l'essence et tout autre liquide inflammable loin de la chaufferette.

La chaufferette portable au propane Heat Hog pourrait ne pas produire autant de chaleur à des altitudes de plus de 610 mètres (2 000 pieds) au-dessus du niveau de la mer. Cela est normal. À ces altitudes élevées, l'unité pourrait s'éteindre sporadiquement en raison des faibles teneurs en oxygène. Si cela se produit, fournir de l'air frais et attendre 5 minutes avant de la rallumer. Des conditions atmosphériques localisées pourraient empêcher le rallumage de la chaufferette.

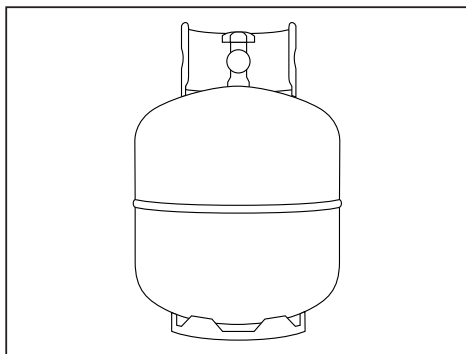
- En général, la durée d'utilisation variera en fonction du réglage de la chaufferette et de la contenance de la bouteille d'alimentation. Jusqu'à 3 à 6 heures avec une bouteille de 1 lb. Jusqu'à 48 à 110 heures avec une bouteille de 20 lb (en fonction de l'utilisation des réglages «HI » et «LO »). Les durées d'utilisation du gaz propane peuvent être très réduites lors d'une utilisation continue à des températures inférieures à -6,6 °C (20 °F). La chaufferette Heat Hog est conçue pour garder votre bouteille de 1 lb chaude. Lors d'une utilisation d'une bouteille de 20 lb, vous pourriez remarquer une baisse du débit calorifique.
- Votre chaufferette portable au propane est munie d'un interrupteur de sécurité anti-renversement. L'interrupteur anti-renversement pourrait éteindre la chaufferette si celle-ci est déplacée, heurtée, reposée ou réglée à un angle différent. Si cela se produit, assurez-vous que la base est de niveau, puis rallumez.
- De la condensation pourrait s'accumuler sur une bouteille de gaz propane liquide de 1 lb et dégoutter sous la chaufferette. Cela causera du gel sous la bouteille qui pourrait geler sous la chaufferette et autour de celle-ci. Cela est attribuable au fonctionnement naturel des petites bouteilles de gaz propane liquide et est normal.
- Si la chaufferette s'éteint, ne la rallumez pas avant un apport d'air frais. Si la chaufferette continue de s'éteindre, faites-la réparer. Maintenez le brûleur et le bloc-commande propres.

Instructions d'allumage et de fonctionnement à suivre lors de l'utilisation d'une bouteille de propane de 1 lb jetable

⚠ AVERTISSEMENT : Avant le raccordement d'une bouteille de propane, inspectez toujours la bouteille de propane et les raccords de propane de la chaufferette pour détecter des dommages, de la poussière et des débris. Ne l'utilisez pas si la tête de la bouteille est endommagée, percée ou détériorée.

FIXEZ OU RETIREZ TOUJOURS LES BONBONNES À L'EXTÉRIEUR, À L'ÉCART DES FLAMMES, D'AUTRES SOURCES D'ALLUMAGE ET SEULEMENT LORSQUE LA CHAUFFERETTE EST FROIDE AU TOUCHER.

- Utilisez seulement des bouteilles de gaz propane liquide marquées conformément au U.S. Department of Transportation (DOT) ou à la norme CSA B339, le cas échéant. Les bouteilles doivent être fournies avec un dispositif de protection antidébordement répertorié.
- Utilisez seulement des bouteilles jetables de 1 lb (16,4 oz) qui peuvent être accouplées avec des vannes n° 600, désignées propane.
- Gardez la chaufferette et la bouteille dans une position verticale durant le fonctionnement.
- Avant de connecter du propane, assurez-vous que le bouton de commande de la chaufferette est à la position « OFF » (arrêt); voir la figure 2.
- Basculez le régulateur vers l'arrière et vissez une bouteille de gaz propane liquide jetable de 1 lb dans le sens horaire (à partir du bas); serrez à bloc à la main (voir la figure 3). N'utilisez PAS de produit d'étanchéité sur ce raccord.



- Assurez-vous de vérifier que les raccords ne comportent aucune fuite à l'aide d'un mélange composé de savon à vaisselle et d'eau à parts égales. Toute formation de bulles indique une fuite.
- La chaufferette ne doit pas être exposée à des vapeurs ou à des liquides inflammables durant l'allumage.

FONCTIONNEMENT (SUITE)

- **Pour le modèle HH-09SNL-A** Tournez le bouton de commande dans le sens antihoraire à la position « PILOT » (veilleuse) et enfoncez le bouton pour l'allumage; voir la figure 2.
- Si la veilleuse ne s'allume pas, relâchez le bouton et enfoncez-le de nouveau. Recommencez jusqu'à ce que la veilleuse s'allume.
- Une fois la veilleuse allumée, maintenez le bouton de commande enfoncé pendant 30 à 60 secondes jusqu'à ce que les plaques chauffantes soient allumées et que le thermocouple soit chaud. Relâchez le bouton. Le bouton doit revenir à la position complètement relâchée; voir la figure 2.
- Pour utiliser la chauffe-ette, appuyez légèrement sur le bouton et tournez-le délicatement au réglage désiré.
- **Pour le modèle HH-18SNL-A** Pour installer la pile AAA du dispositif d'allumage électronique, retirer manuellement la partie du haut du logement du dispositif d'allumage dans le sens antihoraire. Placer la pile AAA dans la partie du bas du logement du dispositif d'allumage électronique avec la borne « + » orientée vers le haut, voir la figure 5. Réinstaller la partie supérieure du dispositif d'allumage.
- Tournez le bouton de commande dans le sens antihoraire à la position « PILOT » (veilleuse) et enfoncez le bouton; voir la figure 4.
- Appuyez sur le bouton d'allumage depuis l'arrière de la chauffe-ette tout en maintenant le bouton de commande enfoncé jusqu'à ce que la veilleuse s'allume. Si elle ne s'allume pas, répétez les étapes indiquées ci-haut.
- Une fois la veilleuse allumée, maintenez le bouton de commande enfoncé pendant 30 à 60 secondes jusqu'à ce que les plaques chauffantes soient allumées et que le thermocouple soit chaud. Relâchez le bouton. Le bouton doit revenir à la position complètement relâchée; voir la figure 2.

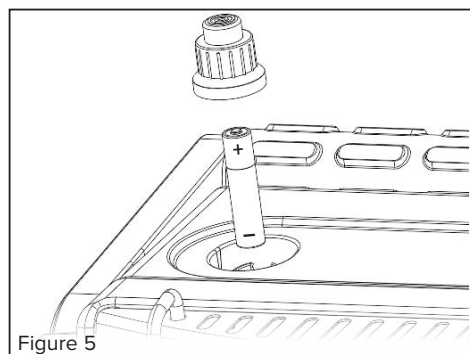


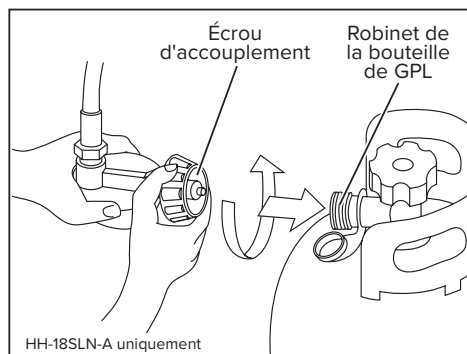
Figure 5

- Pour utiliser la chauffe-ette, appuyez légèrement sur le bouton et tournez-le délicatement au réglage désiré.

Instructions d'allumage et de fonctionnement pour une utilisation avec un tuyau connecté à une bouteille distante d'une capacité maximale de 20 lb.

La bouteille de GPL doit aussi être équipée des accessoires suivants :

- Un manchon qui protège le robinet de gaz.
 - Un robinet d'arrêt au bout de la sortie de robinet de la bouteille de propane, comme le précise les normes américaines pour les raccords de sortie et d'entrée des robinets de bouteilles de gaz comprimé.
 - Une soupape de sûreté en communication directe avec l'espace de vapeur de la bouteille.
 - Ne rangez pas une bouteille de propane de réserve en dessous ou près de cet appareil.
 - Ne remplissez jamais la bouteille au-delà de 80 % de sa capacité.
 - Placez le bouchon anti-poussière sur la sortie du robinet de la bouteille de propane lorsque la bouteille n'est pas utilisée. Installez seulement le type de bouchon anti-poussière sur le robinet qui est fourni avec celui-ci. D'autres types de bouchons et de capuchons pourraient causer une fuite de propane.
 - La chauffe-ette doit fonctionner à partir du gaz provenant de la bouteille d'alimentation.
 - La bouteille dans être en position verticale durant le fonctionnement.
- ⚠ DANGER :** N'apportez JAMAIS une bouteille de propane rechargeable à l'intérieur. Un incendie ou une explosion causant des dommages matériels des blessures graves ou mortelles pourraient survenir!
- Inspectez le tuyau avant l'utilisation. Si le tuyau présente des signes d'abrasion ou d'usure excessive, ou s'il est coupé, remplacez-le avant l'utilisation. Gardez le tuyau hors des zones passantes pour éviter qu'il ne fasse



HH-18SNL-A uniquement

trébucher des personnes ou soit endommagé accidentellement.

- Gardez la chauffeurette et la bouteille dans une position verticale durant le fonctionnement.
- Avant de connecter du propane, assurez-vous que le bouton de commande de la chauffeurette est à la position « OFF » (arrêt); voir la figure 4.
- Assurez-vous de vérifier que les raccords ne comportent aucune fuite à l'aide d'un mélange composé de savon à vaisselle et d'eau à parts égales. Toute formation de bulles indique une fuite.
- Suivez les instructions pour votre modèle.

Instructions d'arrêt (bouteille jetable de 1 lb)

- Pour éteindre la chauffeurette, poussez légèrement sur le bouton de commande et tournez-le dans le sens horaire jusqu'à la position « OFF » (arrêt).

⚠ MISE EN GARDE : Le grillage de protection restera chaud après l'extinction de la chauffeurette. Laissez-le refroidir avant de manipuler et de ranger la chauffeurette.

- N'utilisez pas, n'entrez pas et ne retirez pas la bouteille de propane à proximité d'éléments inflammables ou de source d'allumage.
- Les bouteilles doivent être rangées à l'extérieur, dans un endroit où l'air circule librement, hors de portée des enfants. Les bouteilles débranchées doivent avoir des bouchons anti-poussière bien serrés et ne doivent pas être rangées dans un bâtiment, un garage ou un autre espace fermé.

– LES BONBONNES DE GAZ PROPANE LIQUIDE DOIVENT ÊTRE DÉTACHÉES DE LA CHAUFFERETTE LORSQU'ELLE N'EST PAS UTILISÉE!

Instructions d'arrêt (bouteille de 20 lb)

- Pour éteindre la chauffeurette, coupez d'abord le propane, laissez la chauffeurette utiliser tout le propane dans la conduite d'alimentation jusqu'à ce que la chauffeurette s'éteigne, puis tournez le bouton de commande dans le sens horaire à la position « OFF » (arrêt).

⚠ MISE EN GARDE : Le grillage de protection restera chaud après l'extinction de la chauffeurette. Laissez-le refroidir avant de manipuler et de ranger la chauffeurette.

- N'utilisez pas, n'entrez pas et ne retirez pas la bouteille de propane à proximité d'éléments inflammables ou de source d'allumage.
- Les bouteilles doivent être rangées à l'extérieur, hors de la portée des enfants, et pas dans un bâtiment, un garage ou dans toute autre enceinte fermée.

– LES BONBONNES DE GAZ PROPANE LIQUIDE DOIVENT ÊTRE DÉTACHÉES DE LA CHAUFFERETTE LORSQU'ELLE N'EST PAS UTILISÉE!

⚠ DANGER : L'EMPOISONNEMENT AU MONOXYDE DE CARBONE PEUT ENTRAÎNER LA MORT!

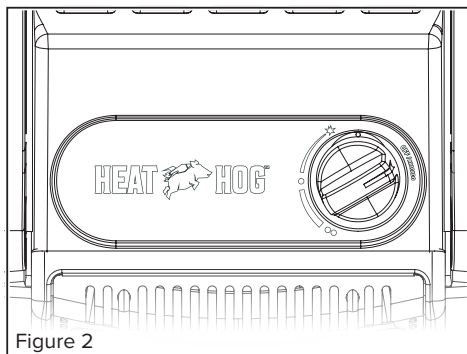


Figure 2

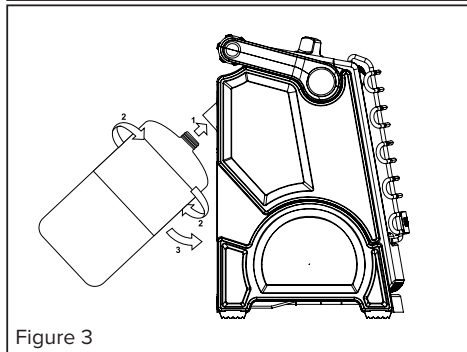


Figure 3

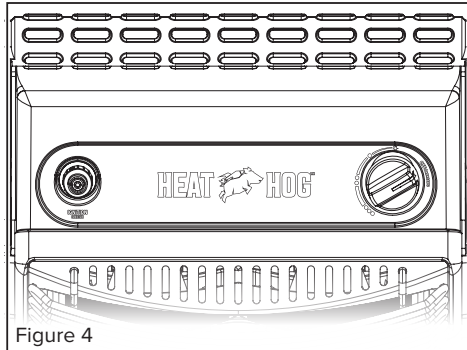


Figure 4

VENTILATION

La chaufferette doit seulement être utilisée dans un espace bien ventilé et ne doit pas être utilisée dans un bâtiment, un garage ou dans tout autre espace fermé.

La chaufferette peut être utilisée avec un abri créé par les éléments suivants seulement :

- Murs sur tous les côtés, mais aucun toit.
- Enceinte partielle qui comprend un toit et pas plus que deux parois latérales. Ces parois latérales peuvent être parallèles, comme un passage, ou à angles droits les unes des autres.

- Dans une enceinte partielle qui comprend un toit et trois parois latérales, pour autant que 30 % ou plus de la périphérie horizontale de l'enceinte soit ouverte en permanence.
- La chaufferette doit seulement être utilisée dans un espace bien ventilé et ne doit pas être utilisée dans un bâtiment, un garage ou dans tout autre espace fermé.

ENTREPOSAGE/ENTRETIEN

Avant d'entreposer la chaufferette, débranchez toujours l'ensemble de régulateur de la bouteille de propane. Si pour une raison quelconque, la chaufferette est entreposée à l'intérieur, la bouteille de gaz propane liquide DOIT absolument être débranchée de la chaufferette et entreposée à l'extérieur dans une zone bien ventilée, hors de portée des enfants, en conformité avec la dernière édition du Storage and Handling of Liquefied Gases ANSI/NFPA 58 et du Code d'installation du propane CSA B149.1. Le bouchon en plastique du robinet de la bouteille, fourni avec celle-ci, doit être posé pour protéger le raccord.

REMARQUE : Les réparations de cet appareil doivent être effectuées par un technicien d'entretien qualifié.

Il est recommandé de conserver tous les matériaux d'emballage de votre chaufferette et de la réemballer à l'aide de ces matériaux pour un rangement sûr.

Les débris, la poussière et les saletés dans le boîtier de la chaufferette peuvent nuire à son rendement. De tels débris peuvent réduire la capacité de la chaufferette à aspirer de l'air pour la ventilation et pour la combustion. Des toiles d'araignées peuvent également apparaître pendant les périodes d'inactivité.

Inspecter la chaufferette avant chaque utilisation pour éviter de telles obstructions. Assurez-vous de laisser les voies d'air libres (les fentes dessous et dessus des plaques de chaufferette), le brûleur et les zones de combustion propres. Utilisez un chiffon humide ou un aspirateur pour nettoyer ces parties. Il est recommandé d'effectuer un nettoyage en profondeur au moins une fois tous les 30 jours d'utilisation. Il se peut que la chaufferette ait besoin d'être nettoyée plus souvent si les conditions sont naturellement sales.

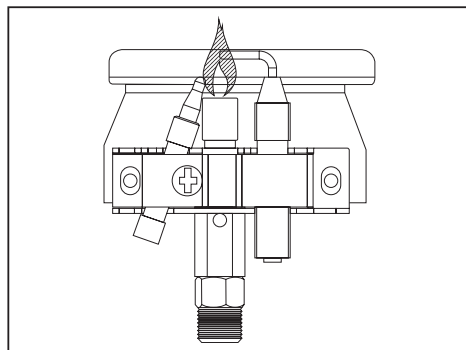
Gardez l'espace contigu à la chaufferette propre et exempt de matières combustibles, d'essence et d'autres vapeurs et liquides inflammables.

Nettoyez les plaques de céramique à l'air comprimé à une pression inférieure à 30 PSI pour éviter de les endommager. Une couleur jaune de la flamme de veilleuse indique que le brûleur pourrait avoir besoin d'un nettoyage. Inspectez et nettoyez la veilleuse (montée sur le support) en utilisant un aspirateur ou de l'air comprimé dans les orifices de la veilleuse, voir la figure 4.

⚠ AVERTISSEMENT : N'utilisez jamais d'objets pointus pour nettoyer la veilleuse. Évitez d'endommager l'orifice de veilleuse, calibré avec précision, qui contrôle le débit de gaz.

⚠ DANGER : N'entreposez jamais une bouteille de propane liquide dans un édifice ou à proximité d'un appareil qui brûle du gaz ou de l'huile.

⚠ AVERTISSEMENT : Prenez toujours soin de laisser refroidir la chaufferette pendant au moins 30 minutes avant de la ranger ou d'en effectuer l'entretien.

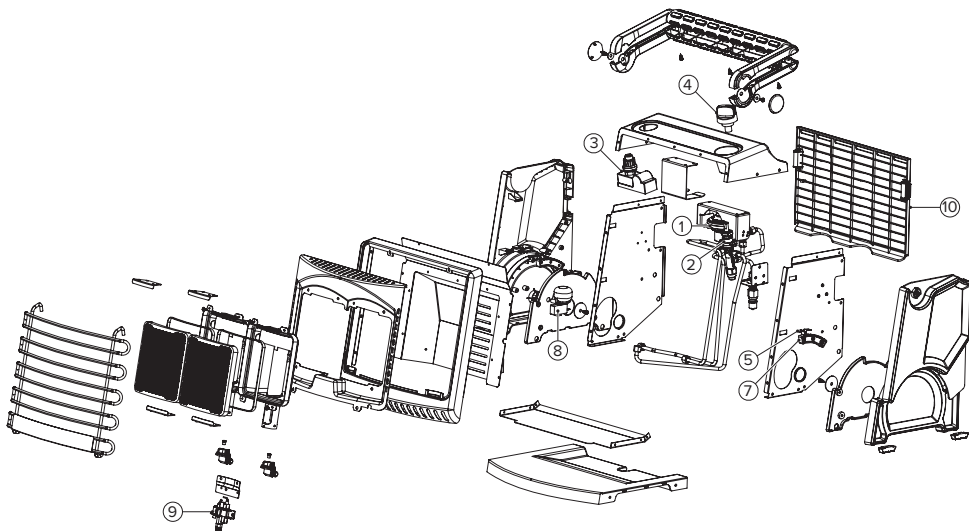


GUIDE DE DÉPANNAGE

ANOMALIE	CAUSE PROBABLE	CORRECTIF
L'unité ne produit pas d'étincelle.	<ol style="list-style-type: none"> 1). Électrode d'allumage brisée. 2). Fil d'allumage qui pourrait ne pas être fixé à l'électrode d'allumage. 3). Fil d'allumage qui pourrait ne pas être fixé au cadre. 4). Fil d'allumage endommagé. 5). Allumeur piézo défectueux ou brisé. 6). HH-18SLN-A seulement : La batterie doit être remplacée. 	<ol style="list-style-type: none"> 1). Remplacez l'électrode, une pièce d'ODS (capteur d'appauvrissement en oxygène). 2). Fixez l'électrode d'allumage. 3). Fixez la masse sur le cadre. 4). Remplacez le fil d'allumage. 5). Remplacez l'allumeur piézo, une pièce de l'ensemble de robinet de gaz. 6). Remplacez par une pile AAA neuve non rechargeable.
Fait des étincelles, mais ne s'allume pas.	<ol style="list-style-type: none"> 1). Pas d'alimentation de propane à la chaufferette. 2). La position « PILOT » n'est pas correctement alignée. 3). La veilleuse est bloquée par des toiles d'araignée ou de la poussière. 	<ol style="list-style-type: none"> 1). Vérifiez le niveau de propane, remplacez la bouteille jetable ou branchez le tuyau et ouvrez le robinet de la bouteille distante. 2). Assurez-vous que le bouton est en position veilleuse. 3). Nettoyez la veilleuse, consultez la section RANGEMENT/ENTRETIEN.
La veilleuse ne reste pas allumée.	<ol style="list-style-type: none"> 1). Assurez-vous que le bouton est en position « PILOT » (veilleuse). 2). Les conduites de carburant des bouteilles et des bonbonnes neuves doivent être purgées de l'air qu'elles contiennent. 3). La flamme de la veilleuse n'entoure pas le thermocouple. 4). La flamme de la veilleuse est trop courte pour atteindre le thermocouple. 5). L'interrupteur anti-renversement est activé. 6). L'emplacement est trop venteux. 	<ol style="list-style-type: none"> 1). Assurez-vous que le bouton est en position « Pilot » (veilleuse). 2). Enfoncez le bouton en position « Pilot » (veilleuse) pendant 5 secondes avant que l'étincelle s'enflamme pour purger l'air des conduites. 3). Nettoyez la veilleuse, consultez la section Entretien. 4). Nettoyez la veilleuse; assurez-vous d'avoir un apport suffisant en air frais. 5). Assurez-vous que la base de la chaufferette est relativement de niveau. 6). Assurez-vous que la chaufferette est disposée de manière à être éloignée du vent ou dans un espace protégé.
La veilleuse reste allumée, mais le brûleur principal ne s'allume pas.	<ol style="list-style-type: none"> 1). L'orifice du brûleur principal est bloqué. 2). L'emplacement est trop venteux. 	<ol style="list-style-type: none"> 1). Nettoyez les plaques de chauffage, consultez la section Entretien. 2). Assurez-vous que la chaufferette est placée de manière à être éloignée du vent ou dans un espace protégé.
Le brûleur principal s'éteint à l'occasion.	<ol style="list-style-type: none"> 1). La veilleuse est partiellement bloquée. 2). Le capteur d'appauvrissement en oxygène (ODS) détecte une faible teneur en oxygène. 3). L'anti-renversement est en cours d'activation. 4). Basse pression du gaz. 	<ol style="list-style-type: none"> 1). Nettoyez la veilleuse, consultez la section Entretien. 2). Assurez-vous d'un apport en air frais par une ouverture d'au moins 58 cm² (9 po²), consultez la section sur le monoxyde de carbone. 3). Assurez-vous que la base de l'unité est relativement de niveau. Rallumez. 4). Vérifiez le niveau de carburant. Remplacez le régulateur de gaz propane liquide s'il est défectueux.
Le brûleur s'éteint lorsque l'angle de chauffage est modifié.	<ol style="list-style-type: none"> 1). L'interrupteur anti-renversement est activé. 	<ol style="list-style-type: none"> 1). Assurez-vous que la base est relativement de niveau et fixée avant de basculer la chaufferette. Basculez doucement la tête de la chaufferette en évitant de la remuer.

Téléphonez aux services techniques au numéro 800 641-6996 ou rendez-vous sur HeatHog.com pour obtenir des renseignements de dépannage supplémentaires, des vidéos et la Foire aux questions.

VUE ÉCLATÉE (HH-18SLN-A)



LISTE DE PIÈCES (HH-18SLN-A)

ARTICLE N°	DESCRIPTION	HH-18SLN-A
1	Régulateur de gaz	GC-00156
2	Robinet de commande de gaz	EL-00062
3	Allumeur électronique	EL-00063
4	Bouton de robinet de commande de gaz	GC-00111
5	Ressort de détente de basculement	GC-00143
6	Pied en caoutchouc	GC-00167
7	Détente de basculement	GC-00170
8	Interrupteur anti-renversement	50-017-0065
9	Veilleuse ODS	EL-00060
10	Panneau de couvercle arrière	GC-00118

Téléphonez aux services techniques au numéro 800 641-6996 ou rendez-vous sur HeatHog.com pour commander des pièces de rechange.

HEAT HOG

GARANTIE LIMITÉE

Pinnacle Climate Technologies, Inc. garantit à l'acheteur au détail d'origine seulement que ce produit sera exempt de défauts de matériau et de fabrication pendant une période de un (1) an à compter de la date de l'achat initiale. Ce produit doit être installé, entretenu et utilisé correctement, en conformité avec les instructions fournies.

Pinnacle Climate Technologies, Inc. exige une preuve raisonnable de la date d'achat chez un détaillant ou un distributeur agréé. Il faut donc conserver le reçu de caisse, la facture ou le chèque payé pour l'achat d'origine. Cette garantie limitée couvre uniquement la réparation ou le remplacement des pièces jugées défectueuses dans des conditions d'utilisation et d'entretien normales pendant la période de garantie, ce que **Pinnacle Climate Technologies, Inc.** se réserve le droit de déterminer à sa seule discrétion.

Cette garantie ne s'applique pas à des produits achetés à des fins de location.

Cette garantie limitée ne couvre pas le remplacement des courroies ni le réglage de leur tension, ni aucune défaillance ou difficulté d'utilisation résultant d'une usure normale, d'un accident, d'un usage abusif ou incorrect, d'une modification, d'un usage impropre, d'une installation incorrecte ou encore d'une réparation ou d'un entretien incorrects par l'utilisateur ou un tiers. Le fait de négliger d'effectuer l'entretien normal et de routine du ventilateur, les dommages causés lors de l'expédition ou liés à des insectes, à des oiseaux ou à d'autres animaux ou encore à tout dommage résultant des conditions météorologiques ne sont pas couverts par cette garantie. En outre, cette garantie limitée ne couvre pas les dommages au fini, comme les égratignures, les traces de coups, la décoloration, la rouille ou d'autres dommages dus aux intempéries, et survenus après l'achat.

Tous les frais de transport pour le retour de produits ou de pièces endommagés sont à la charge de l'acheteur. Sur réception de l'article endommagé, **Pinnacle Climate Technologies, Inc.** examinera l'article en question et déterminera s'il est défectueux.

Pinnacle Climate Technologies, Inc. réparera ou remplacera et retournera l'article en port payé. Si **Pinnacle Climate Technologies, Inc.** détermine que l'article est dans un état d'utilisation normale, ou n'est pas défectueux, il sera retourné en port dû.

Cette garantie limitée remplace à toute autre garantie expresse. **Pinnacle Climate Technologies, Inc.** décline toute garantie de produits achetés auprès de vendeurs autres que des détaillants ou distributeurs agréés.

APRÈS L'EXPIRATION DE LA PÉRIODE DE UN (1) AN DE CETTE GARANTIE LIMITÉE, Pinnacle Climate Technologies, Inc. DÉCLINE TOUTE GARANTIE TACITE, Y COMPRIS TOUTE GARANTIE TACITE DE QUALITÉ MARCHANDE ET D'ADAPTATION À UN USAGE PARTICULIER. EN OUTRE, Pinnacle Climate Technologies, Inc. N'EST AUCUNEMENT RESPONSABLE ENVERS L'ACHETEUR NI ENVERS TOUT TIERS POUR UN QUELCONQUE DOMMAGE PARTICULIER, INDIRECT, PUNITIF, ACCESSOIRE OU FORTUIT. **Pinnacle Climate Technologies, Inc.** n'assume aucune responsabilité pour un quelconque défaut causé par des tiers. Cette garantie limitée accorde à l'acheteur des droits légaux précis auxquels peuvent s'ajouter d'autres droits suivant le lieu où il réside. Certaines provinces ne permettent pas l'exclusion ou la limitation des dommages spéciaux, accessoires ou indirects ni une limitation de la durée d'une garantie; les limitations ci-dessus pourraient donc ne pas s'appliquer à l'acheteur.

Pinnacle Climate Technologies, Inc. n'autorise aucune personne ni entreprise à assumer en son nom une autre obligation ou responsabilité quelconque liée à la vente, à l'installation, à l'utilisation, à l'enlèvement, au retour ou au remplacement de ses appareils et aucune représentation de cette nature ne lie en quelque manière que ce soit **Pinnacle Climate Technologies, Inc.**

Veillez toujours à préciser les numéros de modèle et de série lors de toute réclamation auprès de **Pinnacle Climate Technologies, Inc.** Pour ce faire, utiliser l'espace prévu ci-dessous à cet effet pour noter ces informations.

N° de modèle : _____

N° de série : _____

Date d'achat : _____

El HH-09SLN-A está certificado como calentador para campamento en interiores/exteriores según ANSI Z21.103-2017 solo para EE.UU. y está certificado como calentador para campamento en exteriores según ANSI Z21.63/CSA 11.3 tanto para EE.UU. como para Canadá.

El HH-18SLN-A está certificado como calentador para campamento en interiores/exteriores según ANSI Z21.103-2017 solo para EE.UU. y está certificado como CALENTADOR DE INFRARROJOS A GAS PARA PATIO EXTERIOR según ANSI Z83.26/CSA 2.371 tanto para EE.UU. como para Canadá.

HH-09SLN-A - HH-18SLN-A

Para CALENTADOR PARA CAMPAMENTO EN INTERIORES/EXTERIORES
según ANSI Z21.103-2017

⚠ ADVERTENCIA: RIESGO DE INCENDIO O EXPLOSIÓN

Si huele a gas:

1. No trate de encender el aparato.
2. Apague toda clase de flama abierta.
3. Desconecte el suministro de combustible.
4. Salga de inmediato del área.
5. Espere 5 minutos a que se disipe el gas antes de volver a encender el aparato.

No almacene ni use gasolina u otros vapores y líquidos inflamables cerca de este o de ningún otro aparato.

De no seguir estas instrucciones podría ocasionarse un incendio o explosión causantes de daños materiales, lesiones físicas o la muerte.

⚠ WARNING: LA INTOXICACIÓN POR MONÓXIDO DE CARBONO PUEDE PROVOCAR LESIONES O LA MUERTE

Cuando se usa sin aire adecuado para la combustión y la ventilación, puede que el calentador produzca demasiado MONÓXIDO DE CARBONO, un gas inodoro y venenoso. Este es un calentador de gas sin ventilación. Este calentador utiliza el aire (oxígeno) del espacio donde se usa. Es necesario suministrar suficiente aire para la combustión y la ventilación. Consulte la página 11.

NO USE ESTE CALENTADOR HASTA QUE SE HAYAN TOMADO TODAS LAS MEDIDAS NECESARIAS PARA SUMINISTRAR AIRE PARA LA COMBUSTIÓN Y LA VENTILACIÓN. PARA OBTENER INFORMACIÓN SOBRE EL AIRE PARA LA COMBUSTIÓN Y LA VENTILACIÓN, CONSULTE LAS INSTRUCCIONES ESCRITAS PROPORCIONADAS CON EL CALENTADOR.

⚠ ADVERTENCIA: Cuando se usa sin aire adecuado para la combustión y la ventilación, puede que el calentador produzca demasiado **MONÓXIDO DE CARBONO**, un gas inodoro y venenoso.

⚠ PELIGRO: POR SU SEGURIDAD

No almacene ni use gasolina u otros vapores y líquidos inflamables cerca de este o de ningún otro aparato. No debe almacenarse un tanque de propano que no esté conectado para usarlo cerca de este ni de ningún otro aparato.

⚠ ADVERTENCIA: La instalación, ajuste, modificación, servicio o mantenimiento de manera inadecuada puede provocar lesiones o daños materiales. Consulte este manual. Si desea ayuda o información adicional, consulte a un instalador capacitado, agencia de servicio o al proveedor de gas.



⚠ PELIGRO: RIESGO DE INHALACIÓN DE MONÓXIDO DE CARBONO

Este aparato puede generar monóxido de carbono, que es un gas inodoro. Utilizarlo en un espacio cerrado puede ocasionarle la muerte. Nunca utilice este aparato en un espacio cerrado como casa rodante, tienda, auto o casa.

⚠ ADVERTENCIA: RIESGO DE INCENDIO O EXPLOSIÓN

Si huele a gas:

1. No trate de encender el aparato y asegúrese de que esté en la posición "OFF" (apagado).
2. Apague toda clase de flama en las cercanías.
3. Cierre la válvula de suministro de combustible del tanque, si cuenta con ella.
4. Desconecte el cilindro de combustible desechable, si cuenta con él.
5. Salga de inmediato del área.
6. Espere 5 minutos para que se disipe el gas.
7. Si ya se disipó el olor a gas del área, el aparato y el suministro de combustible, siga los procedimientos para conectar el gas.

Si huele a gas otra vez, siga los pasos 1 a 6 y pida que le den servicio al aparato. De no seguir estas instrucciones podría ocasionarse un incendio o explosión causantes de daños materiales, lesiones físicas o la muerte.

⚠ PELIGRO: No almacene ni use gasolina u otros vapores y líquidos inflamables cerca de este o de ningún otro aparato. No debe almacenarse un tanque de propano que no esté conectado para usarlo cerca de este ni de ningún otro aparato.

⚠ PELIGRO: Si huele a gas:

1. Cierre el gas que va al aparato.
2. Apague toda clase de flama abierta.
3. Si persiste el olor, aléjese del aparato y llame de inmediato a su proveedor de gas o a los bomberos.

⚠ ADVERTENCIA: Solo para uso en exteriores.

⚠ ADVERTENCIA: La instalación, ajuste, modificación, servicio o mantenimiento de manera inadecuada puede provocar daños materiales, lesiones corporales o la muerte. Antes de instalar o dar servicio al equipo, lea detenidamente las instrucciones de instalación, funcionamiento y mantenimiento.



⚠ PELIGRO: RIESGO DE INHALACIÓN DE MONÓXIDO DE CARBONO
Este aparato puede generar monóxido de carbono, que es un gas inodoro. Utilizarlo en un espacio cerrado puede ocasionarle la muerte. Nunca utilice este aparato en un espacio cerrado como casa rodante, tienda, auto o casa.

⚠ PELIGRO: POR SU SEGURIDAD
No almacene ni use gasolina u otros vapores y líquidos inflamables cerca de este o de ningún otro aparato. No debe almacenarse un tanque de propano que no esté conectado para usarlo cerca de este ni de ningún otro aparato.

⚠ ADVERTENCIA: ¡NO ALTERE EL SISTEMA DE SEGURIDAD!

⚠ ADVERTENCIA: ¡LA INTOXICACIÓN POR MONÓXIDO DE CARBONO PUEDE CAUSAR LA MUERTE!

El calentador no debe usarse con un sistema de tubería fija.
Conserve las instrucciones para consultas futuras.

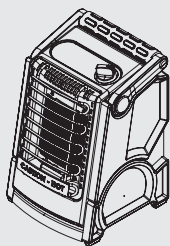
DEFINICIONES: SÍMBOLOS Y PALABRAS DE ALERTA DE SEGURIDAD


Este Manual de instrucciones utiliza los siguientes símbolos y palabras de alerta de seguridad para alertarle sobre situaciones peligrosas, así como su riesgo de lesiones físicas o daños materiales.

- ⚠ PELIGRO:** Indica una situación de riesgo inminente que, si no se evita, **tendrá** como resultado lesiones graves o la muerte.
- ⚠ ADVERTENCIA:** Indica una posible situación de riesgo que, si no se evita, **podría** causar la muerte o lesiones graves.
- ⚠ PRECAUCIÓN:** Indica una posible situación de riesgo que, si no se evita, **puede** causar lesiones moderadas o leves.
- ⚠ (Sin palabra)** Indica un mensaje relacionado con la seguridad.

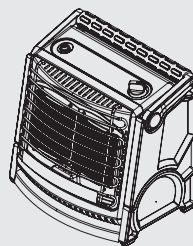
AVISO: Indica una práctica no relacionada con lesiones físicas que, si no se evita, **puede** causar daños materiales.

**CALENTADOR DE PROPANO PORTÁTIL
HEAT HOG® DE 9,000 BTU**



N.º DE MODELO	HH-09SLN-A
BTU	4,500 / 9,000
CONSUMO DE COMBUSTIBLE (LB/H)	0.21 / 0.42
AJUSTES DE CALOR	2
HORAS MÁXIMAS DE FUNCIONAMIENTO (CON UN TANQUE DE 1 LB)	4.7 / 2.3
PRESIÓN DE ENTRADA MÍNIMA	25 PSIG
PRESIÓN DE ENTRADA MÁXIMA	PRESIÓN DEL TANQUE
TIPO DE COMBUSTIBLE	USE SOLO UN TANQUE DE GAS LP DE 1 LB. (4 X 8 PULG., 10.2 X 20.3 CM) O DE 20 LB. (18 X 12.25 PULG., 45.7 X 31.1 CM)
ÁREA DE CALEFACCIÓN (PIES ²)	225
PRESIÓN DEL MÚLTIPLE	11 PULGADAS DE COLUMNA DE AGUA
CERTIFICACIÓN	

**CALENTADOR DE PROPANO PORTÁTIL
HEAT HOG® DE 18,000 BTU**



N.º DE MODELO	HH-18SLN-A
BTU	4,500 / 9,000 / 18,000
CONSUMO DE COMBUSTIBLE (LB/H)	0.21 / 0.42 / 0.84
AJUSTES DE CALOR	3
HORAS MÁXIMAS DE FUNCIONAMIENTO (CON MANGUERA Y REGULADOR OPCIONALES)	4.7 / 2.3 / 11
PRESIÓN DE ENTRADA MÍNIMA	25 PSIG
PRESIÓN DE ENTRADA MÁXIMA	PRESIÓN DEL TANQUE
TIPO DE COMBUSTIBLE	USE SOLO UN TANQUE DE GAS LP DE 1 LB. (4 X 8 PULG., 10.2 X 20.3 CM) O DE 20 LB. (18 X 12.25 PULG., 45.7 X 31.1 CM)
ÁREA DE CALEFACCIÓN (PIES ²)	450
PRESIÓN DEL MÚLTIPLE	11 PULGADAS DE COLUMNA DE AGUA
CERTIFICACIÓN	

Las especificaciones pueden cambiar sin previo aviso.

El modelo HH-09SLN-A está diseñado y aprobado para usarlo como calentador de acuerdo con la Norma para calentadores a gas para campamento - Para uso en interiores o en exteriores - solo en EE.UU. ANSI Z21.103-2017. Para uso en exteriores - solo en Canadá y EE.UU. según ANSI Z21.63:19/ CSA 11.3:19. El modelo El modelo HH-18SLN-A está diseñado y aprobado para uso en exteriores - Solo Canadá y EE.UU. CSA/ANSI Z83.26:20 • CSA 2.37:20, esta norma es para usarse como calentador para patio. CONSULTE A LAS AUTORIDADES DE PREVENCIÓN DE INCENDIOS DE SU LOCALIDAD SI TIENE ALGUNA DUDA SOBRE EL USO DE ESTE CALENTADOR. Otras normas rigen el uso de gases combustibles y productos de calefacción para usos específicos. Sus autoridades locales pueden asesorarle sobre esas normas.

- ⚠ ADVERTENCIA:** Lea todas las advertencias de seguridad y todas las instrucciones. No seguir las advertencias e instrucciones puede causar descarga eléctrica, incendio o lesión grave.
- ⚠ ADVERTENCIA:** Nunca modifique el producto ni parte alguna del mismo. Podría causar daños o lesiones físicas.

⚠ ADVERTENCIA: Para reducir el riesgo de lesiones, lea el manual de instrucciones.

Si tiene alguna pregunta o comentario sobre este producto o algún otro, llame a Heat Hog al 800.641.6996.

HH-09SLN-A / HH-18SLN-A

ADVERTENCIA GENERAL DE PELIGRO

⚠ PELIGRO: No cumplir con las precauciones y las instrucciones que se proporcionan con este calentador puede causar la muerte, lesiones físicas graves y daños o pérdidas materiales por peligro de incendio, explosión, quemaduras, asfixia, intoxicación por monóxido de carbono o descarga eléctrica. Solamente deben usar este calentador o darle mantenimiento personas que puedan comprender y seguir las instrucciones. Si necesita ayuda o información sobre el calentador, como un manual de instrucciones, etiquetas, etc., comuníquese con el fabricante.

GUARDE TODAS LAS ADVERTENCIAS E INSTRUCCIONES PARA CONSULTA FUTURA.

INFORMACIÓN DE SEGURIDAD

⚠ ADVERTENCIA: Este producto puede exponerlo a sustancias químicas, incluso plomo, conocidas en el estado de California como causantes de cáncer y defectos de nacimiento u otros daños reproductivos. Si desea más información, visite www.P65Warnings.ca.gov.

⚠ ADVERTENCIA: Riesgo de incendio, quemaduras, inhalación y explosión. Mantenga los combustibles sólidos como materiales de construcción, papel o cartón a una distancia prudente del calentador según lo recomiendan estas instrucciones. Nunca use el calentador en espacios que contengan o puedan contener combustibles volátiles o suspendidos en el aire ni productos como gasolina, disolventes, solventes de pintura, partículas de polvo o sustancias químicas desconocidas. Mantenga todos los materiales combustibles, gasolina y otros vapores y líquidos inflamables lejos de este calentador.

⚠ PELIGRO: Riesgo de inhalación de monóxido de carbono. Este calentador produce monóxido de carbono, que es un gas inodoro. Encender el calentador en un espacio cerrado puede ocasionarle la muerte. Nunca use el calentador en espacios cerrados, como tiendas de campaña, remolques, cualquier tipo de vehículo (entre otros, vehículos de uso recreativo), albergues cerrados, edificios, garajes u otras áreas cerradas sin ventilación adecuada.

⚠ PELIGRO: Si no sigue la información de este manual al pie de la letra, puede producirse un incendio o una explosión que provoquen daños materiales, lesiones físicas o pérdida de la vida.

⚠ ADVERTENCIA: Si el vehículo de uso recreativo no tiene una ventana o una ventilación en el techo, **NO USE ESTE CALENTADOR** en el interior.

⚠ ADVERTENCIA: NO USE ESTE CALENTADOR HASTA HABER LEÍDO Y ENTENDIDO COMPLETAMENTE ESTAS INSTRUCCIONES DE SEGURIDAD Y FUNCIONAMIENTO. No cumplir con las precauciones e instrucciones proporcionadas con este calentador puede causar muertes, lesiones graves, daños o pérdidas materiales o por peligro de incendio, explosiones, quemaduras, asfixia o intoxicación por monóxido de carbono. Solamente personas que puedan leer y comprender estas instrucciones deben usar o darle servicio a este calentador.

⚠ ADVERTENCIA: EXTREMADAMENTE CALIENTE CUANDO LA UNIDAD ESTÁ ENCENDIDA. No toque los elementos metálicos mientras esté encendida la unidad. Mantenga todos los materiales combustibles, gasolina y otros vapores y líquidos inflamables lejos de este calentador.

⚠ ADVERTENCIA: Este calentador viene equipado con un SISTEMA DE SEGURIDAD diseñado para apagar el calentador si no hay suficiente aire fresco.

¡NO ALTERE EL SISTEMA DE SEGURIDAD!

Si se apaga el calentador, no vuelva a encenderlo hasta que entre aire fresco. Si el calentador sigue apagándose, solicite que le den servicio técnico. Mantenga limpio el quemador y el compartimiento de control.

⚠ ADVERTENCIA: ¡RIESGO DE CONTAMINACIÓN DEL AIRE INTERIOR! Los productos descritos en este manual son calentadores de fuego directo de gas propano. Fuego directo significa que todos los productos de combustión del calentador entran al espacio que se calienta. Este aparato tiene una clasificación de 98% de eficiencia de combustión, pero produce pequeñas cantidades de monóxido de carbono. El monóxido de carbono es tóxico. Los seres humanos solo pueden tolerar pequeñas cantidades de monóxido de carbono, así que deben tomarse las medidas de precaución necesarias para suministrar ventilación adecuada. No suministrar la ventilación adecuada de acuerdo con este manual puede ocasionar la muerte.

⚠ ADVERTENCIA: Los primeros síntomas de intoxicación por monóxido de carbono se parecen a la gripe, con dolor de cabeza, mareo o náuseas. Si tiene estos síntomas, es posible que el calentador no funcione adecuadamente. ¡SALGA AL AIRE LIBRE DE INMEDIATO! Pida que le den servicio técnico al calentador. A algunas personas les afecta más el monóxido de carbono que a otras: mujeres embarazadas, personas con cardiopatías o neumopatías, personas anémicas, quienes hayan consumido alcohol y quienes vivan a altitudes elevadas.

INFORMACIÓN DE SEGURIDAD (CONT.)

! PELIGRO: EL PROPANO ES UN GAS EXPLOSIVO. QUÉ HACER SI PERCIBE OLOR A GAS:

- NO trate de encender el calentador.
- Apague toda clase de flama abierta.
- Desconecte el suministro de combustible.
- Si continúa el olor, comuníquese a la empresa de gas o el departamento de bomberos de su localidad.
- NO toque ni utilice interruptores de electricidad ni dispositivos eléctricos que pudieran provocar una chispa.
- Llame de inmediato a su proveedor de gas desde el teléfono de algún vecino. Siga las instrucciones de la empresa de gas.
- Si no puede comunicarse con la empresa de gas, llame al departamento de bomberos.
- Solo una agencia de servicio competente puede hacer la reparación.

! ADVERTENCIA: ¡RIESGO DE QUEMADURAS, INCENDIO Y EXPLOSIÓN!

- NUNCA almacene ni use gasolina u otros vapores y líquidos inflamables cerca de este calentador.
- Supervise bien a los niños pequeños cuando estén en la misma área donde esté el calentador.
- No se debe colgar ropa u otros materiales inflamables del calentador ni colocarlos sobre o cerca del calentador.
- Todo dispositivo de protección que se quite para dar servicio al calentador debe colocarse de nuevo en su lugar antes de encender el calentador.
- NUNCA conecte el calentador a un suministro de gas no regulado.
- NUNCA modifique el calentador ni utilice un calentador que haya sido modificado.
- NUNCA dé servicio, mueva ni manipule el calentador mientras esté caliente o funcionando.

Mantenga todos los materiales combustibles, gasolina y otros vapores y líquidos inflamables lejos de este calentador.

! PRECAUCIÓN: CALIENTE MIENTRAS ESTÉ EN FUNCIONAMIENTO. NO LO TOQUE. MANTENGA A NIÑOS, ANIMALES, ROPA Y COMBUSTIBLES LEJOS DEL CALENTADOR. LAS ALTAS TEMPERATURAS DE LA SUPERFICIE PUEDEN OCASIONAR QUEMADURAS Y QUE LA ROPA SE INCENDIE.

! ADVERTENCIA: Para usar con gas propano (LP) únicamente.

- SIEMPRE instale el calentador de modo que no esté expuesto directamente a rocío de agua, lluvia, goteo de agua o viento.
- Use el calentador de acuerdo con todos los códigos locales.
- Este calentador se envía de la fábrica para uso con gas propano (LP) únicamente. No lo adapte para ningún otro gas. La instalación debe cumplir con los códigos locales o, a falta de ellos, con la norma para el Almacenamiento y la manipulación de gases licuados de petróleo ANSI/NFPA 58 y el Código de instalación de gas natural y gas propano CSA B149.1.
- Las conexiones de suministro de gas deben revisarse con una solución mitad agua y mitad jabón. Nunca use una llama para verificar si hay fugas de gas.
- Utilice únicamente el conjunto de regulador y manguera comprado a Heat Hog. Inspeccione el conjunto del regulador y manguera antes de cada uso del calentador. Si están demasiado desgastados, o si la manguera está cortada, reemplace con el conjunto correcto antes de usar el calentador. El conjunto de la manguera de reemplazo debe cumplir las especificaciones del fabricante.
- Este calentador no se puede usar en superficies con acabado, como pisos y mesas.
- Nunca lo use en un vehículo en movimiento.
- No lo use para cocinar o recalentar comida.

! ADVERTENCIA: El conjunto de la manguera deberá estar protegido del tráfico, de materiales de construcción y de contacto con superficies calientes, tanto al usarse como al tenerlo almacenado. Un recinto para un tanque de gas propano debe estar ventilado con aberturas tanto en el nivel superior como el inferior de dicho recinto. La eficacia de las aberturas para fines de ventilación deberá ser:

- Un lado del recinto debe estar completamente abierto o
- Un recinto con cuatro lados, parte superior e inferior:




Separación mínima de materiales combustibles

N.º DE MODELO	FRENTE	LADOS	ARRIBA	ATRÁS
HH-09SLN-A	40 pulg.	16 pulg.	40 pulg.	0 pulg.
HH-18SLN-A	40 pulg.	16 pulg.	40 pulg.	0 pulg.

INFORMACIÓN DE SEGURIDAD (CONT.)

- Por lo menos debe tener dos aberturas de ventilación en las paredes laterales del recinto, situadas al nivel de la válvula, del mismo tamaño, con una separación mínima de 90 grados (1.57 rad) y sin obstrucciones. Las aberturas deben tener un área libre total mínima de 1 pulg.²/lb (14.2 cm²/kg) de capacidad de combustible almacenado.
- Deben situarse aberturas de ventilación a nivel del suelo del recinto con un área libre total mínima de 1/2 pulg.²/lb (7.1 cm²/kg) de capacidad de combustible almacenado. Si las aberturas de ventilación a nivel del suelo están en una pared lateral, debe haber dos aberturas por lo menos. La parte inferior de las aberturas debe estar a 1 pulg. (25.4 mm) o menos del nivel del suelo y el borde superior a no más de 5 pulg. (127 mm) por arriba del nivel del suelo. Las aberturas deben tener el mismo tamaño, separación mínima de 90 grados (1.57 rad) y sin obstrucciones.
- Todas las aberturas deben tener como mínimo dimensiones que permitan la entrada de una varilla de 1/8 pulg. (3.2 mm) de diámetro.
- Las aberturas de ventilación en las paredes laterales no deben comunicar directamente con otros recintos del calentador.
- Un calentador portátil alimentado con gas propano para uso de emergencia en casa no debe configurarse con un ajuste de entrada superior a 5,000 BTU/h (466 W) al estar situado en un baño y no debe configurarse con un ajuste de entrada superior a 10,000 BTU/h (2,931 W) al estar situado en una recámara. Los ajustes correspondientes para usarlo en un baño o una recámara deben ser claramente medios de ajuste.
- Los artículos almacenados debajo del calentador estarán sometidos a un calor radiante y podrían dañarse considerablemente.
- Se debe alertar a niños y adultos sobre el riesgo de la alta temperatura de la superficie y deben mantenerse alejados para evitar quemaduras o que se incendie la ropa.
- Todo dispositivo de protección que se quite para dar servicio al calentador debe colocarse de nuevo en su lugar antes de usar el calentador.
- La instalación y la reparación las debe realizar un técnico de servicio calificado. Antes de usar el calentador y por lo menos una vez al año, pida a un técnico de servicio calificado que lo inspeccione. Podría requerir limpieza más frecuente según sea necesario. Es indispensable mantener limpios el compartimiento de control, los quemadores y los conductos de circulación del aire del calentador.

MODELO	HH-09SLN-A	HH-18SLN-A
4,500 BTU	BAJO	BAJO
9,000 BTU	ALTO	MEDIO
18,000 BTU	—	ALTO

-  **ADVERTENCIA: ¡RIESGO DE INCENDIO! ¡COLÓQUELO SIEMPRE SOBRE UNA SUPERFICIE ESTABLE Y NIVELADA!**
-  **ADVERTENCIA: NUNCA DEJE DESATENDIDO EL CALENTADOR MIENTRAS ESTÉ ENCENDIDO O CONECTADO A UNA FUENTE DE ENERGÍA O A UNA FUENTE DE COMBUSTIBLE.**
-  **ADVERTENCIA:** Use solo tanques desechables marcados con el tipo de combustible adecuado.
 - No deje desatendido este aparato mientras esté funcionando. En todo momento mantenga a los niños y a las mascotas lejos del aparato.

- El aparato puede apagarse si hay viento de más de 3 millas por hora (4.83 kilómetros por hora).
- Cuando se usa un calentador con tanque de propano remoto, el usuario debe asegurarse de que el tanque de propano cumpla con las especificaciones de los recintos para tanques de gas propano independientes, definidos en la página 5.

INFORMACIÓN DE SEGURIDAD (CONT.)

RECINTOS PARA SISTEMAS DE SUMINISTRO DE GAS PROPANO INDEPENDIENTE

Un recinto para un tanque de gas propano debe estar ventilado con aberturas tanto en el nivel superior como el inferior de dicho recinto. La eficacia de las aberturas, para fines de ventilación, estará determinada por el tanque de suministro de gas propano colocado. Este debe ir acompañado por uno de los siguientes:

- a) Un lado del recinto debe estar completamente abierto o
- b) Un recinto con cuatro lados, parte superior e inferior:
 - i) Por lo menos debe tener dos aberturas de ventilación en las paredes laterales del recinto, situadas al nivel de la válvula, del mismo tamaño, con una separación mínima de 90 grados (1.57 rad) y sin obstrucciones. Las aberturas deben tener un área libre total mínima de 1 pulg.2/lb (14.2 cm²/kg) de capacidad de combustible almacenado.
 - ii) Deben situarse aberturas de ventilación a nivel del suelo del recinto con un área libre total mínima de 1/2 pulg.2/lb (7.1 cm²/kg) de capacidad de combustible almacenado. Si las aberturas de ventilación a nivel del suelo están en una pared lateral, debe haber dos aberturas por lo menos. La parte inferior de las aberturas debe estar a 1 pulg. (25.4 mm) o menos del nivel del suelo y el borde superior a no más de 5 pulg. (127 mm) por arriba del nivel del suelo. Las aberturas deben tener el mismo tamaño, separación mínima de 90 grados (1.57 rad) y sin obstrucciones.
 - iii) Todas las aberturas deben tener como mínimo dimensiones que permitan la entrada de una varilla de 1/8 pulg. (3.2 mm) de diámetro.
 - iv) Las aberturas de ventilación en las paredes laterales no deben comunicar directamente con otros recintos del calentador.

La válvula del tanque debe estar accesible fácilmente para abrirla con la mano. Es aceptable tener una puerta en el recinto que dé acceso a las válvulas del tanque, siempre y cuando no tenga cerradura y se pueda abrir sin usar herramientas. Los diseños que usen una cubierta que dé acceso al tanque y a la válvula del tanque deben contar con asas o su equivalente, con una separación mínima de 180 grados, para facilitar que se levante la cubierta.

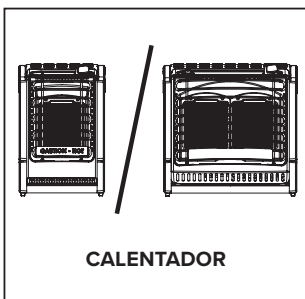
El recinto para el tanque de gas propano debe aislar al tanque del compartimiento del quemador para ofrecer:

- a) protección contra la radiación,
- b) una barrera contra la flama y
- c) protección contra materiales extraños, como goteos calientes.

Debe haber una separación mínima de 2 pulg. (50.8 mm) entre el piso del recinto del tanque de gas propano y el suelo.

Prueba de fugas dentro del recinto. Cuando el aparato esté equipado con una conexión CGA No. 600, se debe desconectar el tanque cuando no se use el calentador.

QUÉ HAY EN LA CAJA



DESEMPAQUE

1. Retire todos los materiales de empaque aplicados al calentador para su envío. Mantenga montadas las tapas de plástico en el conector de entrada y en el conjunto de regulador y manguera cuando almacene la unidad.
2. Retire todos los artículos de la caja.
3. Revise todos los artículos en busca de daños por el envío. Si el calentador está dañado, informe de inmediato al concesionario a quien compró el calentador.

Para el HH-18SLN-A, no se incluye la batería AAA para el encendedor electrónico.

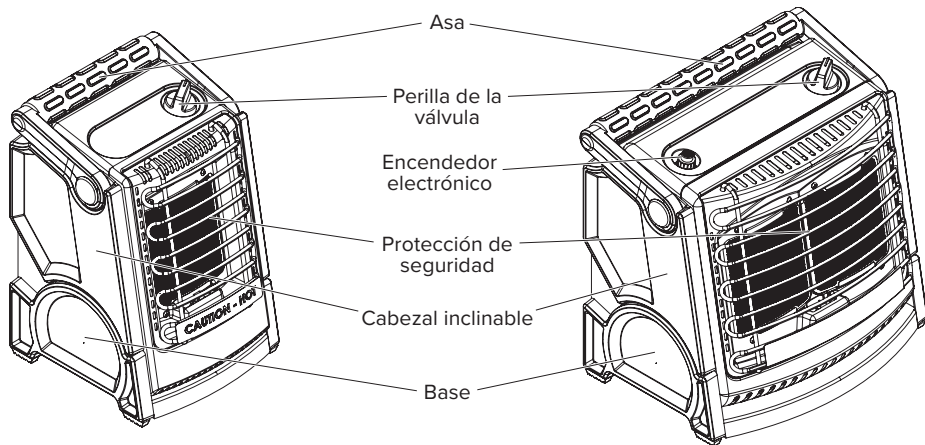
ACCESORIOS

<p>GC-00670</p> <p>MANGUERA Y REGULADOR HH-18SLN-A solamente (se vende por separado)</p>	<p>GC-00671</p> <p>20-LB. ADAPTADOR (se vende por separado)</p>
<p>Esta manguera y regulador no son adecuados para CSA/ANSI Z83.26:20 • CSA 2.37:20. Calentadores de infrarrojos a gas para patio exterior.</p>	<p>Este conjunto de conexión no es adecuado para CSA/ANSI Z83.26:20 • CSA 2.37:20. Calentadores de infrarrojos a gas para patio exterior.</p>

Use solo accesorios de la marca Heat Hog.

Para hacer pedidos de repuestos y accesorios llame al 800.641.6996 o visítenos en HeatHog.com.

CARACTERÍSTICAS



FUNCIONAMIENTO

Suministro de propano / Información:

Propano (LP)

Este calentador no se entrega con tanque de propano. Use únicamente tanques de propano aprobados.

Características del LP

- Inflamable, explosivo bajo presión, más pesado que el aire y se acumula en espacios bajos.
- En su estado natural, el propano no tiene olor pero, por seguridad, se le añade un aroma que huele a repollo podrido.
- El contacto del gas propano (LP) con la piel puede producir quemaduras por congelación.
- El calentador está fabricado para usarlo sólo con gas propano. NO trate de hacerle una conversión para algún otro gas. Dichas modificaciones son peligrosas y anularán la garantía.
- Cuando no se use el calentador debe retirarse el tanque de LP.
- Asegúrese de que el tanque de LP esté en una superficie estable y nivelada.
- NO utilice este calentador en un sótano o por debajo del nivel del suelo. El propano es más pesado que el aire y siempre busca el nivel más bajo. Si sospecha de una fuga, cierre la válvula en el tanque de LP inmediatamente.

Información básica

NOTA: El calentador de propano portátil Heat Hog puede usarse en exteriores, pero los usuarios pueden experimentar molestos cortes causados por ciertas condiciones de viento.

- A bajas temperaturas, las placas de calor pueden tardar algunos minutos en calentarse perceptiblemente. Este funcionamiento es normal.
- Es normal que, al estar funcionando, no brille un pequeño borde alrededor de la orilla de las placas de calor.
- La protección para el usuario de las placas de calor se calienta mucho durante el funcionamiento. Tiene un recubrimiento especial resistente a la temperatura. La primera vez que se enciende el calentador, puede percibir humo o vapor emanados de la protección o del calentador. Esto es normal y debe desaparecer en unos cuantos minutos.
- Si percibe llamas reales o el funcionamiento no cumple con la descripción de este manual, apague el calentador y llame a un técnico de servicio capacitado.
- La temperatura mínima de funcionamiento y almacenamiento es de -20 °F (-28.8 °C).

Función de cabezal inclinable

El calentador de propano portátil Heat Hog tiene una función de inclinación, de patente pendiente, que le permite inclinar la parte superior del calentador hasta 30° para dirigir el calor a varias alturas.

- Mueva el interruptor del calentador a la posición OFF (apagado).
- Desde la parte de atrás del calentador (en el lado opuesto a las placas de calor y la protección) coloque una mano en la parte superior del lado de atrás del calentador y una mano en el asa; vea la Figura 1.

⚠ PRECAUCIÓN: Si el calentador estuvo encendido, la rejilla de protección seguirá caliente. Deje que la protección se enfríe antes de manipularlo.

- Empuje suavemente hacia abajo la parte superior del calentador hasta que escuche un clic en el mecanismo de inclinación.
- Siga inclinando hasta llegar al ángulo deseado o hasta que llegue al límite de la función de inclinación.

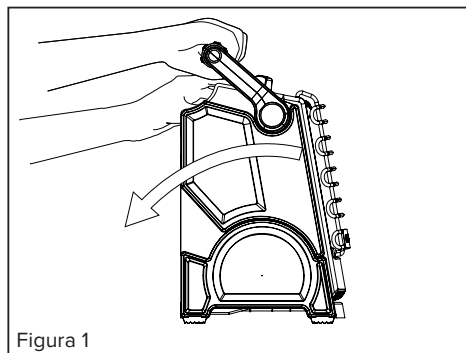


Figura 1

- Siga las instrucciones de encendido y funcionamiento para el uso continuo.

⚠ PRECAUCIÓN: Para evitar posibles lesiones, no ajuste el ángulo de inclinación mientras la unidad está funcionando.

Inspección de fugas

- Para verificar si hay fugas, prepare una solución mitad detergente para platos y mitad agua. Aplique esta solución en todas las conexiones de gas. Si aparecen burbujas, hay una fuga. Si encuentra una fuga, cierre el suministro de gas y vuelva a conectar la conexión con fuga. Si persiste la fuga después de varios intentos, llame al departamento de servicio de Heat Hog al 800.641.6996.

FUNCIONAMIENTO (CONT.)

- La instalación de este calentador debe cumplir con todos los códigos locales o requisitos de la compañía de gas. A falta de códigos locales, se debe cumplir con el Código Nacional de Combustibles ANSI Z223.1.
- Deben mantenerse en todo momento las distancias mínimas de separación de materiales de construcción combustibles (vea la Página 3).
- Se debe inspeccionar el calentador antes de cada uso y por lo menos una vez al año por un técnico capacitado.

⚠ ADVERTENCIA: EXTREMADAMENTE CALIENTE cuando está encendido. No toque los elementos metálicos mientras esté encendida la unidad. Mantenga el calentador lejos de gasolina y otros líquidos inflamables.

El calentador de propano portátil Heat Hog puede no encender con el mismo brillo cuando funciona a altitudes superiores a 2,000 pies sobre el nivel del mar. Esto es normal. En estas altitudes elevadas, la unidad puede apagarse de manera esporádica debido a los niveles más bajos de oxígeno. Si esto sucede, suministre aire fresco y espere 5 minutos para volverlo a encender. Ciertas condiciones atmosféricas localizadas pueden ocasionar que el calentador no se reencienda.

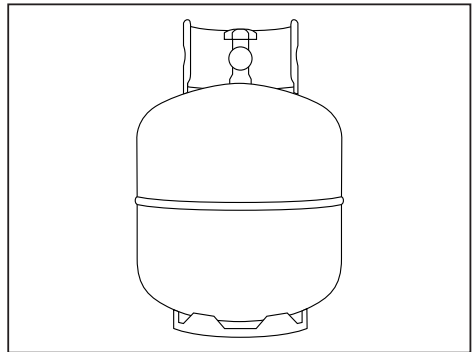
- En general, el tiempo de funcionamiento variará según el ajuste del calentador y del tamaño del tanque de suministro. Hasta 3 a 6 horas con un tanque de 1 lb. Hasta 48 a 110 horas con un tanque de 20 lb. (con base en los ajustes alto y bajo). Los tiempos de funcionamiento del gas LP pueden reducirse considerablemente cuando funciona continuamente a temperaturas por debajo de 20 °F. El Heat Hog está diseñado para mantener tibio su tanque de 1 lb. Cuando use un tanque de 20 lb, puede percibir una disminución en la emisión de BTU.
- Su calentador de propano portátil Heat Hog está equipado con un interruptor de seguridad en caso de vuelcos. Al mover el calentador cuando está encendido, al golpearlo, acomodarlo o ajustar el ángulo de calor, el interruptor antivuelco puede apagar el calentador. Si esto sucede, asegúrese de que la base esté nivelada y vuélvalo a encender.
- Se puede acumular condensación en el tanque de LP de 1 lb y escurrir debajo del calentador. Esto puede provocar escarcha en la parte inferior del tanque o puede volver a congelarse debajo o alrededor del calentador. Esto se debe al funcionamiento natural de los tanques pequeños de LP y es normal.
- Si se apaga el calentador, no vuelva a encenderlo hasta que suministre aire fresco. Si el calentador sigue apagándose, solicite que le den servicio técnico. Mantenga limpio el quemador y el compartimiento de control.

Instrucciones de encendido y funcionamiento para usar con tanque de propano desechable de 1 lb.

⚠ ADVERTENCIA: Antes de conectar el tanque de propano, siempre inspeccione el tanque y las conexiones del propano al calentador en busca de daños, suciedad y basura. No lo use si el cabezal del tanque está dañado, perforado o deteriorado.

SIEMPRE CONECTE O DESCONECTE EL TANQUE EN EXTERIORES LEJOS DE FLAMAS, OTRAS FUENTES DE IGNICIÓN Y SOLO CUANDO EL CALENTADOR ESTÉ FRESCO AL TACTO.

- Use solo tanques de gas LP marcados de acuerdo con el Departamento de Transporte (DOT) de EE.UU. o CSA B339, según corresponda. Los tanques deben suministrarse con un dispositivo de protección contra llenado excesivo con certificación.
- Use solo tanques desechables de 1 lb (16.4 oz) que coincidan con la conexión de la válvula N.º 600, marcada como propano.
- Mantenga el calentador y el tanque en posición vertical cuando los use.
- Antes de conectar el propano, asegúrese de que la perilla de control en el calentador esté en la posición "OFF" (apagado); vea la Figura 2.
- Incline el regulador hacia afuera desde la parte de atrás y enrosque el tanque de gas LP desechable de 1 lb dando vueltas a la derecha (desde la parte inferior) en la unidad hasta que quede apretado con la mano; vea la Figura 3. NO use sellador de roscas en esta conexión.



- Asegúrese de revisar todas las conexiones en busca de fugas con una solución a partes iguales de detergente para platos y agua. La formación de burbujas indica una fuga.
- Durante el encendido, no debe estar expuesto el calentador a vapores o líquidos inflamables.
- **Para el HH-09SNL-A**, gire la perilla de control hacia la izquierda a la posición "PILOT" (Piloto), presione la perilla para el encendido; vea la Figura 2.

FUNCIONAMIENTO (CONT.)

- Si no se enciende el piloto, suelte y vuelva a presionar. Repita hasta que encienda el piloto.
- Después de que se encienda el piloto, mantenga presionada la perilla de control de 30 a 60 segundos hasta que se iluminen las placas de calor y el termopar esté caliente. Suelte la perilla. La perilla debe regresar a la posición totalmente extendida; vea la Figura 2.
- Para encender el calentador, presione la perilla levemente y dele vuelta suavemente hacia el ajuste deseado.
- **Para el HH-18SNL-A**, Para instalar la batería AAA para el encendedor electrónico, retire con la mano la carcasa superior del encendedor dando vuelta hacia la izquierda. Coloque la batería AAA en la carcasa inferior del encendedor electrónico, con el botón de la terminal positiva (+) hacia arriba, vea la Figura 5. Vuelva a instalar la carcasa superior del encendedor electrónico dando vuelta hacia la derecha.
- Gire la perilla de control hacia la izquierda a la posición "PILOT" (Piloto), presione la perilla y manténgala presionada; vea la Figura 4.
- Presione el botón de encendido de atrás del calentador mientras sigue manteniendo presionada la perilla de control, hasta que encienda el piloto. Si el piloto no enciende, repita los pasos.
- Después de que se encienda el piloto, mantenga presionada la perilla de control de 30 a 60 segundos hasta que se iluminen las placas de calor y el termopar esté caliente. Suelte la perilla. La perilla debe regresar a la posición totalmente extendida; vea la Figura 2.
- Para encender el calentador, presione la perilla levemente y dele vuelta suavemente hacia el ajuste deseado.

Instrucciones de encendido y funcionamiento para usar con la manguera conectada a un tanque remoto de tamaño máximo de 20 lb.

El tanque de gas propano (LP) también debe estar equipado con lo siguiente:

- Un anillo para proteger la válvula de gas.
- Una válvula de paso conectada en la salida de la válvula del tanque de LP, según la especificación de la Norma Nacional Americana para la conexión de entradas y salidas de válvulas de tanques de gas comprimido.
- Una válvula de escape de seguridad con comunicación directa con el espacio de vapor del tanque de LP.
- No guarde un tanque de gas propano de repuesto debajo o cerca de este aparato.
- Nunca llene el tanque más del 80%.
- Coloque la tapa guardapolvo de la salida de la válvula del tanque cuando no use el tanque. Solo instale el tipo de tapa guardapolvo en la válvula del tanque que se haya suministrado con la válvula. Otros tipos de tapas o tapones pueden ocasionar fuga del gas propano.
- El calentador debe funcionar con recuperación del vapor del tanque.
- El calentador debe mantenerse en posición vertical mientras esté encendido.
- ⚠ **PELIGRO:** NUNCA meta a espacios interiores un tanque de propano rellenable. Puede ocurrir un incendio o una explosión que cause daños materiales, lesiones graves o la muerte.
- Inspeccione la manguera antes de cada uso. Si está demasiado desgastada o si la está cortada, reemplácela antes de usarla. Mantenga la manguera fuera del paso donde la gente pueda tropezarse con ella o de áreas donde la pueda dañarse por accidente.

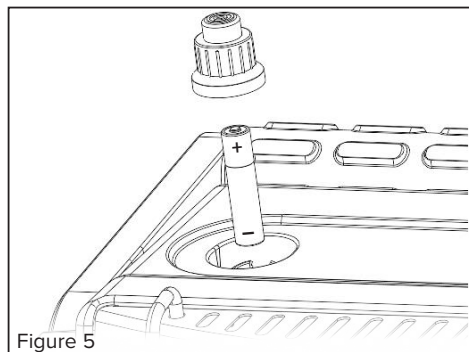
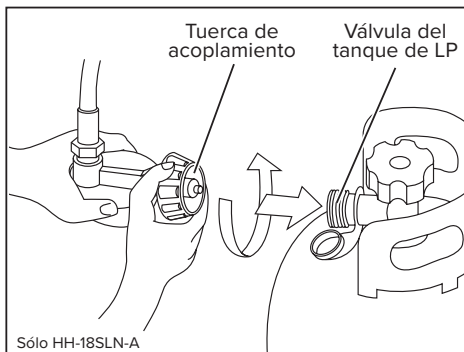


Figure 5



Sólo HH-18SLN-A

- Mantenga el calentador y el tanque en posición vertical cuando los use.
- Antes de conectar el propano, asegúrese de que la perilla de control en el calentador esté en la posición "OFF" (apagado); vea la Figura 4.
- Asegúrese de revisar todas las conexiones en busca de fugas con una solución a partes iguales de detergente para platos y agua. La formación de burbujas indica una fuga.
- Siga las instrucciones de operación para su modelo.

Instrucciones de apagado usando el tanque desechable de 1 lb.

- Para apagar el calentador, presione levemente hacia abajo la perilla de control y gírela hacia la derecha, hasta la posición "OFF" (apagado).

⚠ PRECAUCIÓN: Después de apagar el calentador, la rejilla de protección seguirá caliente. Deje que la protección se enfríe antes de manipularlo y almacenarlo.

- No use, almacene ni retire el tanque cerca de artículos inflamables o fuentes de ignición.
- El tanque debe guardarse en un área exterior, bien ventilada y lejos del alcance de los niños. Un tanque desconectado debe tener las tapas guardapolvo puestas y bien apretadas y no debe almacenarse en un edificio, garaje o u otra área cerrada.
- ¡LOS TANQUES DE GAS LP DEBEN DESCONECTARSE DEL CALENTADOR CUANDO NO SE USEN!

Instrucciones de apagado usando el tanque de 20 lb.

- Para apagar el calentador, cierre primero el propano en el tanque de suministro, permita que el calentador consuma el propano en la manguera de suministro hasta que se apague el calentador y luego presione levemente la perilla de control y dé vuelta hacia la derecha, a la posición "OFF" (apagado).

⚠ PRECAUCIÓN: Después de apagar el calentador, la rejilla de protección seguirá caliente. Deje que la protección se enfríe antes de manipularlo y almacenarlo.

- No use, almacene ni retire el tanque cerca de artículos inflamables o fuentes de ignición.
- Los tanques deben almacenarse en exteriores, lejos del alcance de los niños, y no deben almacenarse en un edificio, garaje u otra área cerrada.

- ¡LOS TANQUES DE GAS LP DEBEN DESCONECTARSE DEL CALENTADOR CUANDO NO SE USEN!

⚠ PELIGRO: ¡LA INTOXICACIÓN POR MONÓXIDO DE CARBONO PUEDE CAUSAR LA MUERTE!

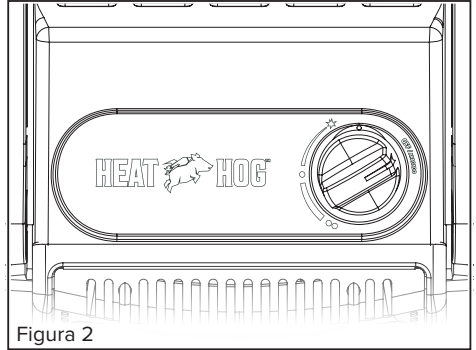


Figura 2

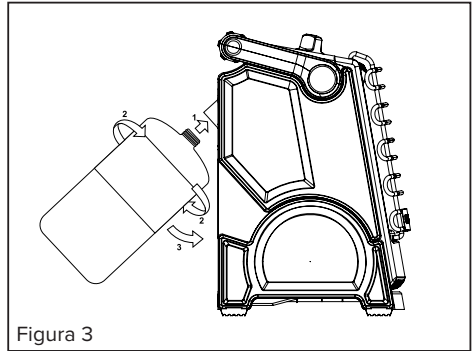


Figura 3

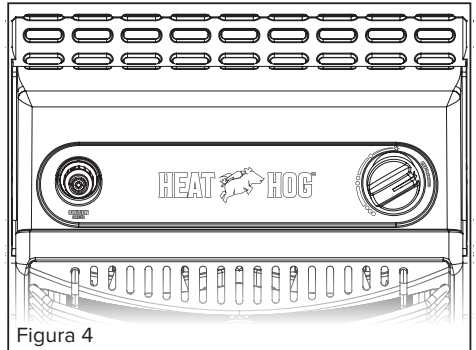


Figura 4

VENTILACIÓN

El calentador solo debe usarse en un espacio bien ventilado y no debe usarse en un edificio, garaje u otra área cerrada.

El calentador puede usarse con un resguardo que no esté más cerrado de lo siguiente:

- Con paredes en todos los lados, pero sin cubierta superior.
- En un recinto parcial, con cubierta superior y no más de dos paredes laterales. Estas paredes laterales pueden ser paralelas, como en un porche, o en ángulo recto una de otra.

- En un recinto parcial con cubierta superior y tres paredes laterales, siempre y cuando 30% o más de la periferia horizontal del gabinete esté abierto permanentemente.
- El calentador solo debe usarse en un espacio bien ventilado y no debe usarse en un edificio, garaje u otra área cerrada.

ALMACENAMIENTO / MANTENIMIENTO

Siempre desconecte el tanque de LP del conjunto del regulador y retire el tanque de LP del calentador antes de almacenar el calentador. Si por algún motivo se almacenará el calentador en un lugar bajo techo, el calentador primero se DEBE desconectar del tanque de LP y almacenar el tanque en un área exterior bien ventilada y lejos del alcance de los niños, de acuerdo con la más reciente edición de la Norma para el almacenamiento y la manipulación de gases licuados, ANSI/NFPA 58 y el Código de Instalación de gas natural y gas propano, CSA B149.1. Se debe reinstalar el tapón de plástico o la cubierta de la válvula del tanque de LP para proteger la unión contra daños.

NOTA: La reparación del calentador la debe realizar un técnico de servicio capacitado.

Se recomienda que guarde todos los materiales de empaque que venían con el calentador y que lo reempaque usando los mismos materiales para su almacenamiento seguro.

Los residuos, el polvo y la basura dentro del cuerpo del calentador pueden afectar el desempeño de su calentador. Estos residuos pueden afectar la capacidad del calentador para extraer aire para la ventilación y la combustión. También pueden aparecer telarañas durante periodos de inactividad.

Asegúrese de revisar el calentador antes de cada uso para buscar obstrucciones de ese tipo. Asegúrese de mantener limpios los pasajes de aire (las ranuras por debajo y por arriba de las placas de calor), el quemador y las áreas de combustión. Limpie con un paño húmedo o use una aspiradora para limpiar estas áreas. Se sugiere que haga una limpieza detallada por lo menos una vez cada 30 días de funcionamiento. Tal vez necesite limpiar el calentador con más frecuencia si las condiciones son sucias por naturaleza.

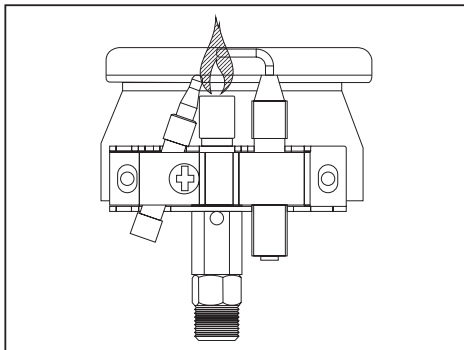
Mantenga el área cerca del calentador despejada de materiales combustibles, gasolina y otros vapores y líquidos inflamables.

Limpie las placas de cerámica con aire comprimido (a menos de 30 PSI) para evitar daños en las placas. Una punta amarilla en la llama del piloto indica que la zona del quemador puede necesitar limpieza. Revise y limpie el piloto (montado sobre el soporte) con una aspiradora o aplique aire a presión a través de los orificios en el piloto. Figura 4.

⚠ ADVERTENCIA: Nunca use objetos afilados para limpiar el piloto. Evite dañar el orificio del piloto que tiene una calibración precisa y controla el flujo de gas.

⚠ PELIGRO: Nunca almacene tanques de LP en el interior de edificios ni cerca de otras aplicaciones que quemen gas o productos del petróleo.

⚠ PRECAUCIÓN: Siempre asegúrese de que el calentador pueda enfriarse por lo menos 30 minutos antes de tratar de almacenarlo, darle servicio o mantenimiento.

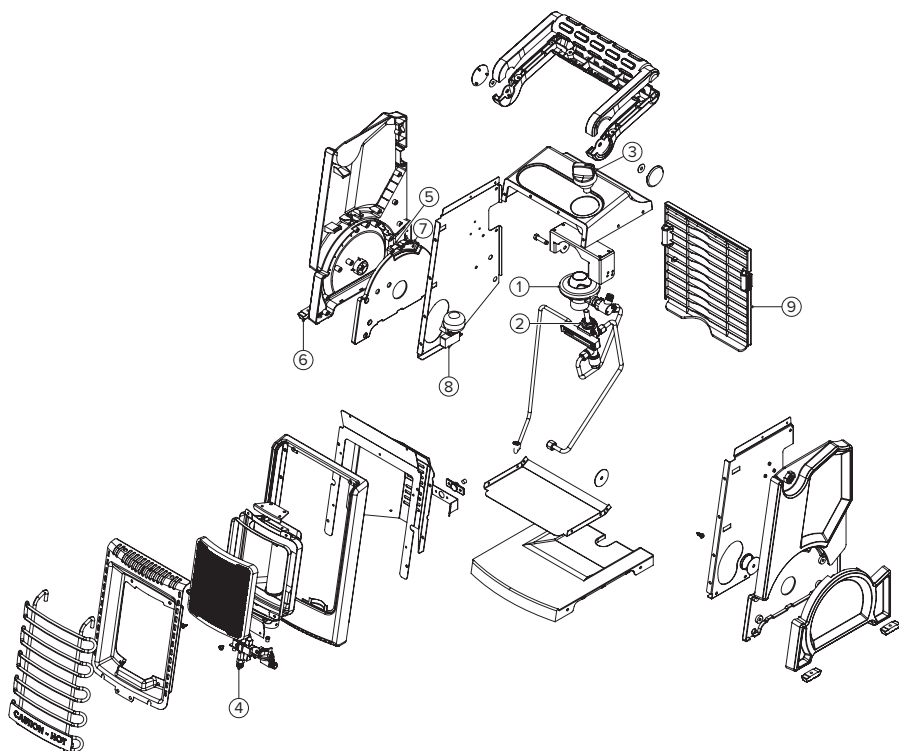


GUÍA PARA LA SOLUCIÓN DE PROBLEMAS

PROBLEMA	POSIBLE CAUSA	SOLUCIÓN
La unidad no genera la chispa.	<ol style="list-style-type: none"> 1. El electrodo de la chispa está roto. 2. El cable del encendedor podría no estar conectado al electrodo de la chispa. 3. El cable de conexión a tierra podría no estar conectado al bastidor. 4. Cable del encendedor dañado. 5. Encendedor piezoeléctrico defectuoso o descompuesto. 6. Solo HH-18SLN-A: Es necesario reemplazar la batería. 	<ol style="list-style-type: none"> 1. Reemplace el electrodo, parte del ODS (sensor de agotamiento de oxígeno). 2. Conecte el electrodo de la chispa. 3. Conecte la tierra al bastidor. 4. Reemplace el cable del encendedor. 5. Reemplace el piezoeléctrico, parte del conjunto de la válvula de gas. 6. Reemplace con una batería AAA nueva, no recargable.
Genera chispa, pero no enciende.	<ol style="list-style-type: none"> 1. No hay propano en el calentador. 2. La posición "PILOT" no está bien alineada. 3. El piloto está bloqueado por telarañas o suciedad. 	<ol style="list-style-type: none"> 1. Revise el nivel de propano, reemplace el tanque desechable o conecte la manguera y active la válvula en el tanque remoto. 2. Asegúrese de que la perilla de control esté en la posición del piloto. 3. Limpie el piloto. Consulte la sección ALMACENAMIENTO / MANTENIMIENTO.
El piloto no se mantiene encendido.	<ol style="list-style-type: none"> 1. La perilla de control no está en la posición "PILOT" (Piloto). 2. Es necesario purgar el aire de la manguera de combustible de los tanques nuevos. 3. La llama del piloto no rodea el termopar. 4. La llama del piloto es demasiado pequeña para llegar al termopar. 5. El interruptor antivuelco está activado. 6. Hay demasiado viento en la ubicación. 	<ol style="list-style-type: none"> 1. Asegúrese de que la perilla esté en la posición del piloto. 2. Presione la perilla en la posición del piloto por 5 segundos antes de que se genere la chispa para purgar el aire de las mangueras. 3. Limpie el piloto. Consulte la sección de Mantenimiento. 4. Limpie el piloto; asegúrese de tener suficiente ventilación de aire fresco. 5. Asegúrese de que la base del calentador esté suficientemente nivelada. 6. Asegúrese de que el calentador no esté de frente al viento o colocado en una zona protegida.
El piloto se mantiene encendido, pero el quemador principal no enciende.	<ol style="list-style-type: none"> 1. El orificio del quemador principal está bloqueado. 2. Hay demasiado viento en la ubicación. 	<ol style="list-style-type: none"> 1. Limpie las placas de calor. Consulte la sección de Mantenimiento. 2. Asegúrese de que el calentador no esté de frente al viento o colocado en una zona protegida.
El quemador principal se apaga periódicamente.	<ol style="list-style-type: none"> 1. El piloto está bloqueado parcialmente. 2. El sensor de agotamiento de oxígeno (ODS) detecta un bajo nivel de oxígeno. 3. El interruptor antivuelco está activándose. 4. Baja presión de gas. 	<ol style="list-style-type: none"> 1. Limpie el piloto. Consulte la sección de Mantenimiento. 2. Proporcione una abertura mínima de 9 pulgadas cuadradas para aire fresco. Vea la sección sobre Monóxido de carbono. 3. Asegúrese de que la base de la unidad esté suficientemente nivelada. Vuelva a encender. 4. Revise el nivel de combustible. Reemplace el regulador de LP, si está dañado.
El quemador se apaga cuando se cambia el ángulo de la calefacción.	<ol style="list-style-type: none"> 1. El interruptor antivuelco está activado. 	<ol style="list-style-type: none"> 1. Asegúrese de que la base esté suficientemente nivelada y fija antes de inclinar el calentador. Incline más despacio el cabezal, evite sacudir el calentador.

Si desea información adicional sobre solución de problemas, videos y preguntas frecuentes, llame a Servicio Técnico al 800.641.6996 o visítenos en HeatHog.com.

VISTA DETALLADA (HH-09SLN-A)

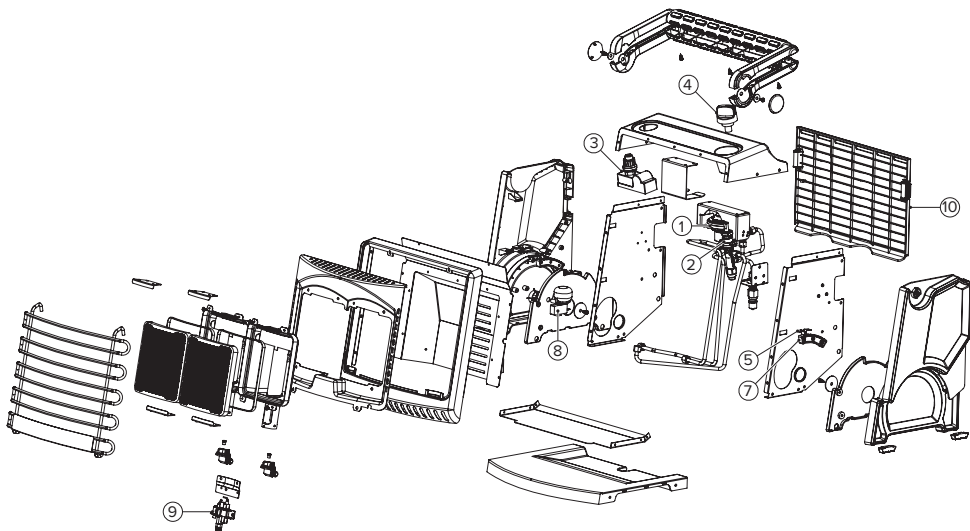


LISTA DE PIEZAS (HH-09SLN-A)

ART. N.º	DESCRIPCIÓN	HH-09SLN-A
1	Regulador de gas	GC-00374
2	Perilla de control de gas	EL-00061
3	Perilla de la válvula de control de gas	GC-00094
4	Piloto del ODS	EL-00060
5	Resorte para topar la inclinación	GC-00143
6	Pata de caucho	GC-00167
7	Tope de la inclinación	GC-00170
8	Interruptor antivuelco	50-017-0065
9	Panel de la cubierta trasera	GC-00098

Para hacer pedidos de piezas de repuesto, llame a Servicio Técnico al 800.641.6996 o visítenos en HeatHog.com.

VISTA DETALLADA (HH-18SLN-A)



LISTA DE PIEZAS (HH-18SLN-A)

ART. N.º	DESCRIPCIÓN	HH-18SLN-A
1	Regulador de gas	GC-00156
2	Perilla de control de gas	EL-00062
3	Encendedor electrónico	EL-00063
4	Perilla de la válvula de control de gas	GC-00111
5	Resorte para topar la inclinación	GC-00143
6	Pata de caucho	GC-00167
7	Tope de la inclinación	GC-00170
8	Interruptor antivuelco	50-017-0065
9	Piloto del ODS	EL-00060
10	Panel de la cubierta trasera	GC-00118

Para hacer pedidos de piezas de repuesto, llame a Servicio Técnico al 800.641.6996 o visítenos en HeatHog.com.

HEAT HOG

GARANTÍA LIMITADA

Pinnacle Climate Technologies, Inc. garantiza este producto únicamente al comprador minorista original contra defectos en materiales y mano de obra por un periodo de un (1) año a partir de la fecha de la compra inicial. Este producto se debe instalar, darle mantenimiento y usar correctamente de acuerdo con las instrucciones suministradas.

Pinnacle Climate Technologies, Inc. exige un comprobante razonable de su fecha de compra a un minorista o distribuidor autorizado. Por lo tanto, debe conservar su recibo de venta, factura o cheque cobrado de la compra original. Esta Garantía Limitada se limitará a la reparación o reemplazo de piezas que resulten defectuosas durante el uso y servicio normales dentro del periodo de la garantía, lo cual determinará **Pinnacle Climate Technologies, Inc.** a su criterio razonable.

Esta garantía no se aplica a los productos comprados para uso en alquiler.

Esta Garantía Limitada no cubre el reemplazo o ajuste de correas, ni fallas o dificultades de funcionamiento debidas al uso y desgaste normales, accidente, abuso, uso inadecuado, modificación, mala aplicación, instalación incorrecta o mantenimiento y servicio inadecuados por usted o algún tercero. Tampoco cubre el daño por falta de mantenimiento normal y de rutina al ventilador, daño en el envío, daño relacionado con insectos, aves o animales de todo tipo y daños causados por condiciones climáticas. Además, la Garantía Limitada no cubre daños en el acabado como rayones, abolladuras, decoloración, corrosión u otros daños causados por el clima después de la compra.

Todos los costos de transporte para devolver un producto o piezas dañadas serán responsabilidad del comprador. Al recibir el artículo dañado, **Pinnacle Climate Technologies, Inc.** lo examinará y determinará si está defectuoso.

Pinnacle Climate Technologies, Inc. reparará o reemplazará y devolverá el artículo con el flete pagado por adelantado. Si **Pinnacle Climate Technologies, Inc.** determina que el artículo está en condiciones normales de funcionamiento o que no está defectuoso, se

devolverá el artículo con el flete por cobrar. Esta Garantía Limitada reemplaza a todas las demás garantías expresas. **Pinnacle Climate Technologies, Inc.** rechaza todas las garantías de productos que se compren a vendedores que no sean distribuidores o minoristas autorizados.

DESPUÉS DE QUE VENZA EL PERIODO DE UN (1) AÑO DE LA GARANTÍA LIMITADA, **Pinnacle Climate Technologies, Inc.** RECHAZA TODAS Y CADA UNA DE LAS GARANTÍAS IMPLÍCITAS, INCLUIDAS, ENTRE OTRAS, LAS GARANTÍAS IMPLÍCITAS DE COMERCIALIZACIÓN Y APTITUD PARA UNA APLICACIÓN EN PARTICULAR. ADEMÁS, **Pinnacle Climate Technologies, Inc.** NO TENDRÁ RESPONSABILIDAD ALGUNA ANTE EL COMPRADOR O TERCERO ALGUNO POR DAÑOS ESPECIALES, INDIRECTOS, PUNITIVOS, INCIDENTALES O RESULTANTES. **Pinnacle Climate Technologies, Inc.** no asume responsabilidad alguna por defectos ocasionados por terceros. Esta Garantía Limitada otorga al comprador derechos legales específicos; el comprador podría tener otros derechos, dependiendo de dónde viva. Algunos estados no permiten la exclusión o limitación de daños especiales, incidentales o resultantes, o limitaciones a la duración de una garantía, así que la exclusión y las limitaciones anteriores podrían no aplicarse en su caso.

Pinnacle Climate Technologies, Inc. no autoriza a persona o empresa alguna a asumir en su nombre otras obligaciones o responsabilidades relacionadas con la venta, instalación, uso, retiro, devolución o reemplazo de su equipo, y ninguna declaración en ese sentido es vinculante para **Pinnacle Climate Technologies, Inc.**

Asegúrese siempre de especificar el número de modelo y el número de serie cuando haga alguna reclamación a **Pinnacle Climate Technologies, Inc.** Para su comodidad, use el espacio provisto abajo para indicar esta información.

N.º de modelo: _____

N.º de serie: _____

Fecha de compra: _____



HEATHOG.COM

© 2021 Pinnacle Climate Technologies, Inc.

Heat Hog™ is a trademark of Pinnacle Climate Technologies, Inc.
Heat Hog™ est une marque de commerce de Pinnacle Climate Technologies, Inc.
Heat Hog™ es una marca comercial de Pinnacle Climate Technologies, Inc.

Product manufactured by / Produit fabriqué par / Producto fabricado por:
Pinnacle Climate Technologies, Inc.
Sauk Rapids, MN 56379, USA / EE. UU.

Toll Free / Numéro sans frais / Llamada sin costo:
800.641.6996

Fax / Télécopieur / Fax:
320.251.2922

Email / Courriel / Correo electrónico:
info@pinnacleclimate.com

Made in China / Fabriqué en Chine / Hecho en China

These units are covered by multiple pending patents.
Ces unités sont couvertes par plusieurs brevets en instance.
Estas unidades están cubiertas por múltiples patentes pendientes.