



## Application Note

# Air Hose Reel

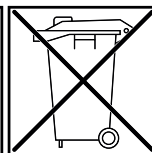
**HAZET**<sup>®</sup>

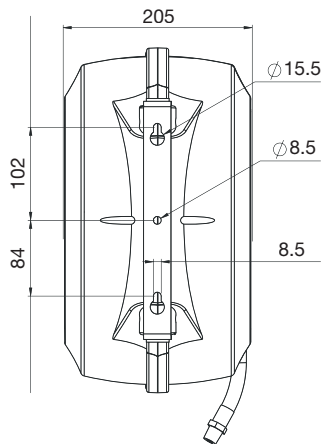
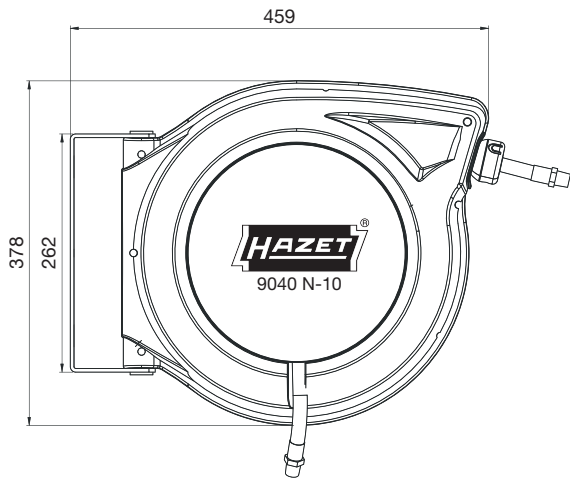
**9040 N-10**



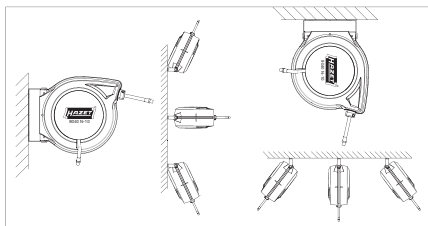
- High-quality, closed special plastic case, supplied with rotating metal mounting bracket made for convenient installation at the workplace.
- Black hybrid polymer hose with a 10 mm  $\varnothing$  (3/8")
- Suitable for compressed air or cold water

 **Attention: Not suitable for flammable gases !**





#### Wall and overhead installation



**Attention: The integrated safety devices must not be removed, modified or circumvented !**



**Not suitable for flammable gases !**

Move in: ..... Slow retraction  
 Automatic stop: ..... Stop at any point  
 Dimensions (packed): ..... 500 x 450 x 255 mm  
 Borehole spacing of the mounting bracket: 186 mm with drilling template on package


#### Application:

- Retraction: The hose reel is retracted slowly using a reel guide. This ensures that the hose is always guided evenly and cleanly into the housing.
- Unrolling: The hose reel is equipped with a locking device. This allows you to stop its pull-out at any desired point. Shortly before reaching the end of the hose there is a red marking. When you see this you should stop rolling out the hose in order to avoid any damage. Starting from the red marking, you can still unroll the hose approx. 1m.

**Note:** Please make sure that the hose is pulled out straight.

Both mechanisms require regular maintenance and must be cleaned. We recommend using HAZET cleaning cloths 9040 N-01/5 as part of tool maintenance. Contamination can lead to failures and malfunctions of the retraction device and the locking device.

Unroll the hose completely and clean the hose using a cleaning cloth.  
 Then let the hose glide completely back into the housing.

HAZET No.	Hose length	Length of connection hose	Black hybrid polymer hose with $a \varnothing_{mm}$	Max. working pressure	Connection thread	 kg	Permissible temperature range
9040 N-10	15 +1 m	0,9	10	20 bar	16,41 mm (3/8")	7,85 kg	-40° / + 60° C