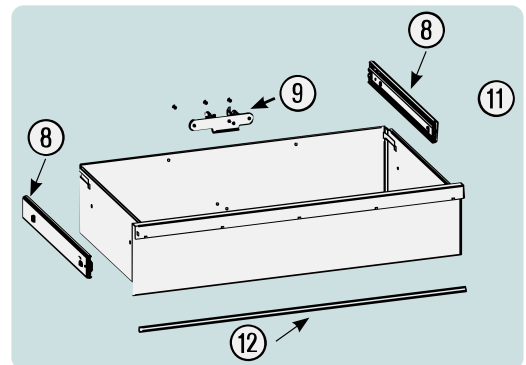
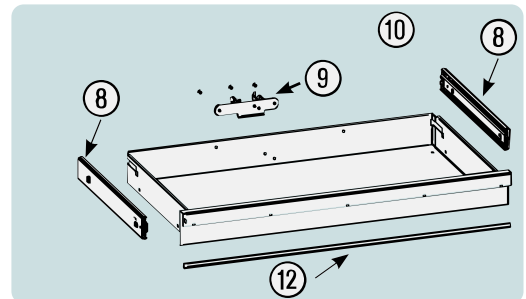
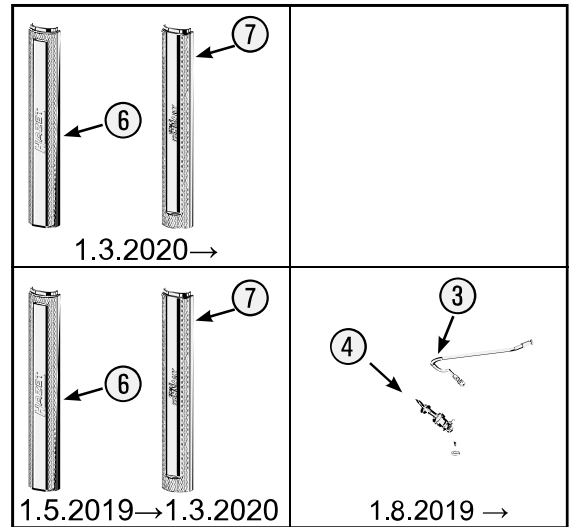
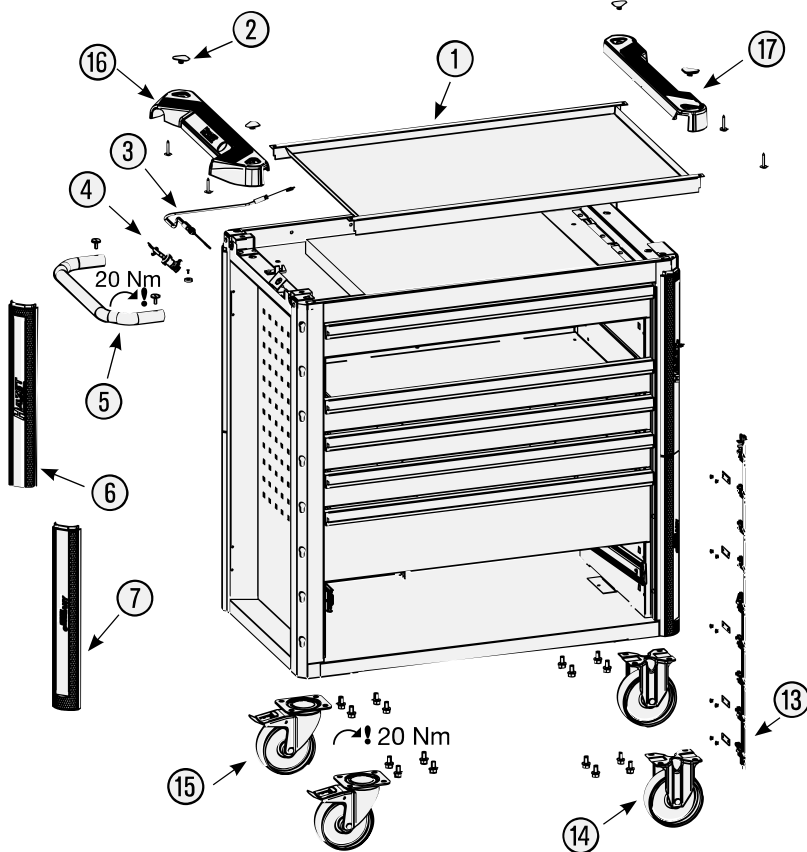



Ersatzteile 179 N XXL-7

Spare parts · Pièces de rechange



Pos	HAZET No.	Designation	
1	179 N XXL-05	Worktop stainless steel	1
2	179 N-05 K	Cover cap	4
3	179 N XXL-01	Cable · Model year → 01 August 2019: 179 N XXL	1
3	179 N XXL-01 A	Cable · Model year 01 August 2019 →: 179 N XXL	1

Pos	HAZET No.	Designation	
4	179 N-08	<i>Cylinder lock · Model year → 01 August 2019: 179 N · 179 N X · 179 N XL · 179 N XXL</i>	1
4	179 N-08 A	<i>Cylinder lock · Model year 01 August 2019 →: 179 N · 179 N X · 179 N XL · 179 N XXL</i>	1
5	179 N X-06	<i>Stainless steel pull-handle</i>	1
6	179 N-094	<i>Upper edge protection · Model year → 01 May 2019: 179 N · 179 N X · 179 N XL · 179 N XXL</i>	1
6	179 N-094 A	<i>Upper edge protection · Model year 01 August 2019 →01 March 2020: 179 N · 179 N X · 179 N XL · 179 N XXL</i>	1
6	179 N-094 B	<i>Upper edge protection · Model year 01 March 2020 →: 179 N · 179 N X · 179 N XL · 179 N XXL</i>	1
7	179 N-093	<i>Edge protection · bottom · Model year → 01 May 2019: 179 N · 179 N W · 179 N X · 179 N XL · 179 N XXL</i>	1
7	179 N-093 A	<i>Edge protection · bottom · Model year 01 August 2019 →01 March 2020: 179 N · 179 N W · 179 N X · 179 N XL · 179 N XXL</i>	1
7	179 N-093 B	<i>Edge protection · bottom · Model year 01 March 2020 →: 179 N · 179 N W · 179 N X · 179 N XL · 179 N XXL</i>	1
8	179 N XL-07/2	<i>Telescopic rails (pair)</i>	1
9	179 N-019	<i>Drawer locking hook</i>	1
10	179 N XXL-050	<i>Drawer · flat</i>	1
11	179 N XXL-051	<i>Drawer · high</i>	1
12	179 N XXL-091	<i>Handle profile for drawers</i>	1
13	179 N-04	<i>Locking bar</i>	1
14	179 W-09	<i>Fixed castor</i>	1
15	179 W-011	<i>Swivel castor</i>	1
16	179 N X-05 G	<i>Plastic cover</i>	4
17	179 N X-05 R	<i>Plastic cover</i>	4