

Air Dryer/Air Line Catalog



L00141 Rev. 3-16

AIR DRYERS

Haldex (New/Remanufactured)

Competitive (New/Remanufactured)

CONSEP® CONDENSER/SEPARATOR

AUTOMATIC DRAIN VALVES

GLADHANDS

AIRLINE

Tubing

Hose Assemblies

Fittings

RESERVOIRS

AIR PRODUCT ACCESSORIES

Haldex

05 – Air Dryer/Air Line

| | |
|---|-------|
| Table of Contents | 05-1 |
| Part Number Index | 05-4 |
| General Information | |
| Foreword | 05-8 |
| Air Dryers | |
| HalDEX (New/Remanufactured) | |
| DRYest® Air Dryer | 05-9 |
| ModulAir® Dryer | 05-11 |
| PURest® Air Dryer | 05-12 |
| Pure Air Plus™ Air Dryer | 05-13 |
| Pure Air™ Air Dryer | 05-14 |
| GeminiMDx® Dual Dryer System | 05-15 |
| DRYest® Service Kits | 05-16 |
| DRYest® Purge Tank Kit | 05-18 |
| DRYest® Valve Cap | 05-19 |
| ModulAir® Service Kits | 05-20 |
| PURest® Service Kits | 05-21 |
| Pure Air Plus™ Service Kits | 05-22 |
| Pure Air™/Pure Air Plus™ Heater Kits | 05-24 |
| Pure Air™ Service Kits | 05-25 |
| Pure Air™ Filter | 05-26 |
| Safety Valve – Pure Air™/Pure Air Plus™, PUPrest, ModulAir® | 05-27 |
| Aerofiner II and III Service Kits | 05-28 |
| Competitive (New/Remanufactured) | |
| WABCO SS1200 | 05-29 |
| WABCO SS1200 Repair Kits | 05-30 |
| Bendix® AD-2 | 05-31 |
| Bendix® AD-4 | 05-32 |
| Bendix® AD-9 | 05-33 |
| Bendix® AD-IP | 05-35 |
| Bendix® AD-IS | 05-36 |
| Bendix® AD-SP | 05-37 |
| Bendix® End Cover Assembly | 05-38 |
| Bendix® Repair Kits | 05-39 |
| Competitive Cartridges | 05-40 |
| Consep® Condenser/Separator | 05-42 |
| Consep® Service Kit | 05-43 |
| Drain Tube Kit for Consep® or ADV | 05-44 |

| | |
|---|-------|
| Automatic Drain Valve | 05-45 |
| Automatic Drain Valve Service Kits | 05-46 |
| Alcohol Evaporator | 05-47 |
| Gladhands | |
| Conventional Style | 05-48 |
| Gladhands With Dust Covers | 05-49 |
| Gladhand With Cable | 05-50 |
| Quick Release Gladhand | 05-51 |
| Bracket Mount Style | 05-52 |
| Flexible Mount Style | 05-53 |
| Gladhand Accessories and Related Parts | 05-54 |
| AirPower Line | 05-55 |
| Air Line Tubing | |
| Nylon Tubing (Bulk) | |
| Single Wall Non-Reinforced Nylon Tubing | 05-56 |
| Reinforced Nylon Tubing | 05-57 |
| Polyethylene Tubing | 05-58 |
| Hose Assemblies | |
| Coiled Air Hose Assemblies | |
| Aircoils – Basic | 05-59 |
| Cab Blower Kit | 05-60 |
| Clamps, Ring, Brackets & Separators | 05-61 |
| Bulk Rubber Air Hose | 05-62 |
| Nose Box – 3/8" I.D. Hose Assemblies | 05-63 |
| 3/8" I.D. Air Hose Assemblies | |
| 3/8" I.D. Air Hose Assemblies with 1/4" One Fixed–One Swivel Ends | 05-64 |
| 3/8" I.D. Air Hose Assemblies with 3/8" One Fixed–One Swivel Ends | 05-65 |
| 3/8" I.D. Air Hose Assemblies with 3/8" Swivel Ends | 05-66 |
| 1/2" I.D. Air Hose Assemblies | |
| 1/2" I.D. Air Hose Assemblies with 3/8" Swivel Ends | 05-67 |
| 1/2" I.D. Air Hose Assemblies with 3/8" One Fixed–One Swivel Ends | 05-68 |
| 1/2" I.D. Air Hose Assemblies with One 1/2" Fixed and One 3/8" Swivel End | 05-69 |
| 1/4" I.D. Air Hose Assemblies | 05-70 |
| Hose Rack | 05-71 |
| Compressor Discharge Hose Assembly | 05-72 |
| Air Line Fittings | |
| Test Fitting | 05-73 |
| Adapters for Hose Assemblies | 05-74 |
| Branch and Run Tees | 05-75 |
| Hose Fittings | 05-76 |
| Male Connectors and Elbows | 05-77 |

Table of Contents

05–AIR DRYER/AIR LINE

| | |
|--|-------|
| Nuts, Sleeves and Inserts | 05-78 |
| Plugs and Reducers | 05-79 |
| Terminal Bolts (Frame Nipples) | 05-80 |
| Union and Union Tee Fittings | 05-81 |
| Reservoirs | |
| Reservoirs – Saddle Mounted, Single Compartment | 05-82 |
| Reservoirs – Saddle Mount, Dual Compartment Tank | 05-83 |
| Reservoirs Related Parts | 05-84 |
| Air Product Accessories | |
| Flexastiks | 05-85 |
| Slide Bars | 05-86 |
| Slide Bar Component Parts | 05-87 |
| Air Line Filter Assemblies | 05-88 |
| Miscellaneous Accessories | 05-89 |
| Maintenance | |
| DRYest Air Dryer | 05-90 |
| PURest Air Dryer | 05-91 |
| Consep Condenser/Separator | 05-92 |
| Alcohol Evaporators | 05-93 |

Part Number Index

05-AIR DRYER/AIR LINE

| Part Number | Type | Page # | Part Number | Type | Page # | Part Number | Type | Page # | Part Number | Type | Page # |
|-------------|------|--------|-------------|------|--------|-------------|------|--------|-------------|------|--------|
| RN957 | S | 05-28 | | | | | | | | | |
| RN969 | S | 05-28 | | | | | | | | | |
| RN970 | S | 05-28 | | | | | | | | | |
| RN970 | O | 05-28 | | | | | | | | | |
| RN973 | O | 05-28 | | | | | | | | | |
| RN973 | S | 05-28 | | | | | | | | | |
| RN975 | S | 05-28 | | | | | | | | | |
| RN975 | O | 05-28 | | | | | | | | | |
| RN976 | S | 05-28 | | | | | | | | | |
| RN976 | O | 05-28 | | | | | | | | | |
| RN977 | S | 05-28 | | | | | | | | | |
| RN978 | S | 05-28 | | | | | | | | | |

Type "O" = OEM P/N, Type "S" = Service P/N

If OEM part # is not found on page listed, refer to the MCR for applicable cross reference.

PURPOSE OF THIS SECTION

This section is designed as a reference for Haldex new and remanufactured air brake system components and accessories, sold under the Haldex and Midland product names. Products described include all pertinent information needed to replace an OEM installed component or to help design an original installation. If there is a service number for a given part, it is noted in the product number table.

DESIGN FLEXIBILITY

The products presented in this section are described by function and usage. Technical data and mounting configurations are also provided. Throughout this section, reference is made to numerous specific OEM applications. This section is not, however, intended to be a mutually exclusive listing of all part numbers and designs available. Should the need for a design not presented occur, contact your Haldex sales representative for additional information.

IMPORTANT NOTICE

The data listed herein is correct to the best of Haldex's knowledge and belief, having been compiled from reliable and official sources of information. However, HALDEX CANNOT ASSUME ANY RESPONSIBILITY for possible error or misapplication of the product. Final determination of the suitability of the products for the use contemplated by the Buyer is the sole responsibility of the Buyer. Haldex shall have no responsibility in connection with this suitability. It is not our intention to imply that any of the components in this catalog in connection with an engine make or model are made by any engine manufacturer.

Haldex (New/Remanufactured)

DRYest® Air Dryer



Features:

- Extended Service Air Dryer for System Purge Application.
- Multi-Treatment Cartridge employs 5 stages of cleaning to ensure dry system air.
- Integrated turbo protection.
- Built-in heater prevents freezing and damage to the dryer.
- Extra compact size allows for easy installation anywhere.
- Integrated governor option increases dryers performance and reduces application costs.
- Integrated muffler allows for superior quiet operation.

Specifications:

| | |
|--|----------------------------|
| Stages of Drying | 5 |
| Inlet Temperature | -40°F to +170°F |
| Maximum Working Pressure | 170 psi |
| Safety Relief Pressure | 150 psi |
| 12, 24 Volt Heater | 90W |
| Drying Capacity | 5.8 SCF |
| Desiccant Cartridge | 3.5 lbs. |
| Assembly Weight | 13.5 lbs. |
| Governor Cut-Out | 125 Å± 5 psi |
| Maximum Inlet Airflow | 35 SCFM |
| Pressure Drop | 35 SCFM/175 psi = 3 psi |
| Regeneration Valve System Purge Drain | Silencer |
| Turbo Protection | 35 psi Inlet Required |

Notes:

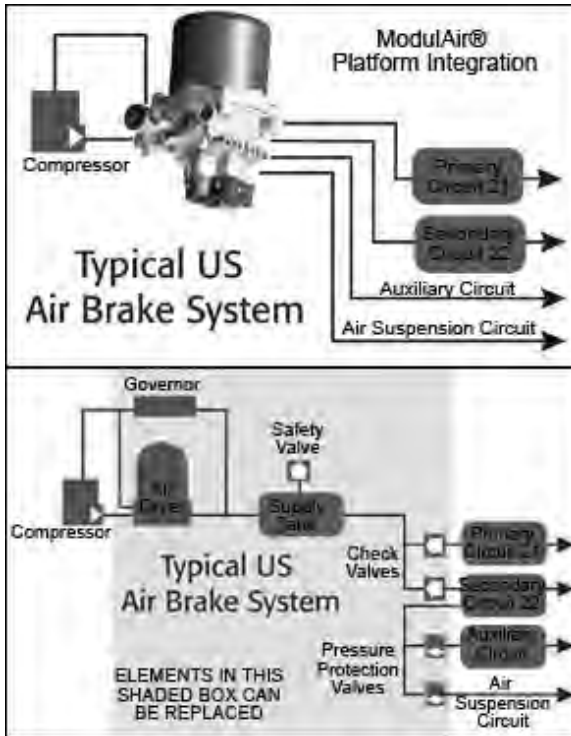
- 1) Fits in 12" x 6-3/4" x 6-3/4" Envelope. This includes 1/2" clearance needed for desiccant cartridge change.

| SKU# | Product Description | Heater | System Regeneration | Integrated Governor | Notes | OEM Part Number |
|---------|---------------------|---------|---------------------|---------------------|---|-----------------|
| DA35100 | DRYest® Air Dryer | 12 Volt | Yes | No | - | N4260 |
| DA35105 | DRYest® Air Dryer | 24 Volt | Yes | No | - | N4260A |
| DA35110 | DRYest® Air Dryer | 12 Volt | No | No | For use with external purge tank. | N4260B |
| DA35115 | DRYest® Air Dryer | 24 Volt | No | No | For use with external purge tank. | N4260C |
| DA35200 | DRYest® Air Dryer | 12 Volt | Yes | Yes | - | N4261 |
| DA35205 | DRYest® Air Dryer | 24 Volt | Yes | Yes | - | N4261A |
| DA35210 | DRYest® Air Dryer | 12 Volt | No | Yes | For use with external purge tank. | N4261B |
| DA35215 | DRYest® Air Dryer | 24 Volt | No | Yes | For use with external purge tank. | N4261C |
| DA35220 | DRYest® Air Dryer | None | No | Yes | For use with external purge tank. | N4261D |
| DA35230 | DRYest® Air Dryer | 24 Volt | No | Yes | 9.3 BAR; Transit Application (MCI 04-10-1024) | N4261F |

| SKU# | Product Description | Heater | System Regeneration | Integrated Governor | Notes | OEM Part Number |
|---------|---------------------|---------|---------------------|---------------------|---|-----------------|
| DA35235 | DRYest® Air Dryer | 24 Volt | No | Yes | 9.3 BAR; Transit Application (Volvo 642150) | N4261G |
| DA35315 | DRYest® Air Dryer | 24 Volt | No | No | Drain Tube; Transit Application (Nova Bus N44467) | N4262C |
| DA35330 | DRYest® Air Dryer | 24 Volt | No | Yes | 8.5 BAR; Transit Application | N4262F |
| DA35335 | DRYest® Air Dryer | 24 Volt | No | Yes | 10.0 BAR; Costal Connector; Transit Application | N4262G |
| DA35340 | DRYest® Air Dryer | 24 Volt | No | Yes | 8.5 BAR; Transit Application (Nova Bus N35224) | N4262H |
| DA35415 | DRYest® Air Dryer | 24 Volt | No | Yes | 8.5 BAR; Drain Tube; Transit Application | N4263C |
| DA35430 | DRYest® Air Dryer | 24 Volt | No | Yes | 9.0 BAR; Drain Tube; Transit Application (Volvo 642070) | N4263F |
| DA35435 | DRYest® Air Dryer | 24 Volt | No | Yes | 9.0 BAR; Drain Tube; Transit Application (Volvo 642111) | N4263G |

Haldex (New/Remanufactured)

ModulAir® Dryer



Features:

- Common platform for multiple vehicle installations
- Suitable for worldwide markets due to modularity
- Air suspension integration (optional)
- Reduction of overall system installation time
- Reduction of test time (end of line)
- Reduction of pneumatic end electrical connections
- Space saving due to compact design

Specifications:

| | |
|------------------------------------|---|
| Drying capacity (SAEJ2384) | 9.2 scf |
| Assembly weight | 17.4 lbs. |
| Installation envelope | 13" H x 10" W x 8.5" D |
| Stages of drying | 5 |
| Inlet air temperature range | -40° F to 170° F |
| Maximum working pressure | 170 psi |
| Safety relief pressure | 175 psi |
| Pressure drop | |
| Turbo protection pressure | 44 ± 8 psi |
| Regeneration type | DA36100 System / DA36200 External Purge Tank |
| Physical mounting | SAEJ2383 (picture 2 using Haldex universal bracket) |

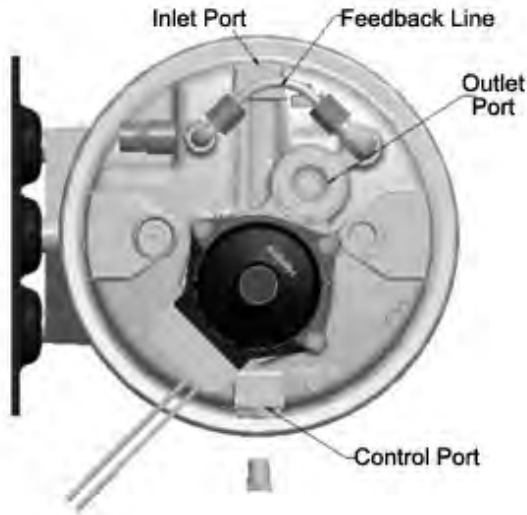
Notes:

- 1) All ModulAir® dryers contain the Haldex exclusive MTC (Multi-Treatment Cartridge) that maximizes drying capacity and includes a coalescing filter.
- 2) ModulAir® integrates the system check valves, air governor and regeneration system without a separate purge tank, minimizing space requirements. ModulAir® reduces maintenance with fewer components and fewer failure points.
- 3) Service is easy with all replaceable parts accessible while dryer is in installed position.
- 4) With a conversion kit can be changed to 24 Volts.

| SKU# | Product Description | # of Protected Circuits | Voltage for Heater | Power Consumption for Heater | Heater Connector | Governor Control | Governor Cut-in Pressure / Pressure Range |
|---------|---------------------------------------|-------------------------|--------------------|------------------------------|---------------------|------------------|--|
| DA36200 | ModulAir® Dryer - EP (External Purge) | 4 | 12 Volt | 90 W | Weather Pack Female | Mechanical | Cut-in: 105 psi 5 psi Range: 22.5 psi ± 7.5 psi |

Haldex (New/Remanufactured)

PURest® Air Dryer



Features:

- Multi-Treatment Cartridge employs 5 stages of cleaning to ensure dry system air.
- Universal mounting bracket eases retro-fit installations. Fits Pure Air Plus, DRYest, AD type and SS type air dryer bolt patterns.
- Integrated turbo protection.
- Built-in heater prevents freezing and damage to the dryer.

Specifications:

| | |
|--|-------------------------|
| Stages of Drying | 5 |
| Internal Purge Volume | 210 cu. in. |
| Inlet Air Temperature | -40°F to +175°F |
| Maximum Working Pressure | 150 psi |
| Safety Relief Pressure | 175 psi |
| Secondary Pressure Protection | 235 psi |
| 12, 24 Volt Heater | 95W |
| Flow Capacity | 34 SCFM |
| Desiccant Cartridge | 3.5 lbs. |
| Assembly Weight | 22.0 lbs. |
| Integrated Turbo Protection Pressure Drop | 2 psi @ 15 SCFM/120 psi |

Notes:

- 1) Fits in 17-3/4" x 9-3/4" x 9-1/2" Envelope. This includes 1/2" clearance needed for desiccant cartridge change.
- 2) DA34200 for Holset "E" Type Compressor application.
- 3) DA34200 pictured

| SKU# | Product Description | Heater | Notes | OEM Part Number |
|---------|---------------------|---------|--|-----------------|
| DA34100 | PURest® Air Dryer | 12 Volt | with Bracket, Inlet Port - Left | N4253AA |
| DA34105 | PURest® Air Dryer | None | with Bracket, Inlet Port - Left | N4253AD |
| DA34110 | PURest® Air Dryer | 24 Volt | with Bracket, Inlet Port - Left | N4253AB |
| DA34160 | PURest® Air Dryer | 12 Volt | without Bracket, Inlet Port - Left | N4253J |
| DA34165 | PURest® Air Dryer | 12 Volt | with 200 psi Pressure Relief with Bracket, Inlet Port - Left | N4253AH |
| DA34200 | PURest® Air Dryer | 12 Volt | with "Econ" Valve with Bracket, Inlet Port -Left | - |
| DA34310 | PURest® Air Dryer | 24 Volt | Inlet Port - Right | N4254AB |

Haldex (New/Remanufactured)

Pure Air Plus™ Air Dryer



Features:

- Compact and lightweight.
- Built-in Turbo-Saver™ Valve reduces engine horsepower loss for improved fuel mileage.
- Replaceable Coalescing Filter features advanced state-of-the-art filtration system to remove even the smallest oil particles and contaminants.
- Fast, easy, economical on-vehicle servicing.

Specifications:

| | |
|------------------------------------|---|
| Length | 15.1" |
| Maximum Width | 9.31" |
| Heater | 95 Watt Thermostatic |
| Primary Material | Aluminum |
| Drying Method | Coalescence/Desiccant |
| Burst Rating | 300 PSI |
| Mounting | Bracket with Stainless Steel Clamp Band |
| Mounting Position | Vertical |
| Maximum Compressor Capacity | 25 SCFM |

Notes:

- 1) Mounting Hardware not included except on **DA33100BX**.
- 2) Pure Air Plus™ Repair Kits and Replacement Parts listed later in this section.

| SKU# | Product Description | Heater Voltage | Canister Size | Inlet Port | Outlet Port | Governor Port | Exhaust Port | Approx. Weight | Notes | Core Group |
|-----------|---|----------------|---------------|------------|-------------|---------------|--------------|----------------|---|------------|
| DA33100BX | Remanufactured Pure Air Plus™ Air Dryer | 12 Volt | 2 lbs. | 1/2" | 1/2" | 1/8" | 1" Hose | 22.0 lbs. | Standard – Mounting Bracket Included | 330 |
| DA33100X | Remanufactured Pure Air Plus™ Air Dryer | 12 Volt | 2 lbs. | 1/2" | 1/2" | 1/8" | 1" Hose | 21.9 lbs. | Standard | 330 |
| DA33110X | Remanufactured Pure Air Plus™ Air Dryer | 24 Volt | 2 lbs. | 1/2" | 1/2" | 1/8" | 1" Hose | 22.5 lbs. | Standard | 330 |
| DA33140X | Remanufactured Pure Air Plus™ Air Dryer | 12 Volt | 3 lbs. | 1/2" | 1/2" | 1/8" | 1" Hose | 27.1 lbs. | Holset – Heavy Duty | 330 |
| DA33200X | Remanufactured Pure Air Plus™ Air Dryer | 12 Volt | 2 lbs. | 1/2" | 1/2" | 1/8" | 1" Hose | 22.6 lbs. | Standard for Applications with Holset "E" Type Compressor | 330 |
| DA33240X | Remanufactured Pure Air Plus™ Air Dryer | 12 Volt | 3 lbs. | 1/2" | 1/2" | 1/8" | 1" Hose | 28.0 lbs. | Standard for Applications with Holset "E" Type Compressor | 330 |

Haldex (New/Remanufactured)

Pure Air™ Air Dryer



Features:

- Triple action – cools, filters and dries the air.
- May be mounted vertically or horizontally.
- Serviceable from either end.

Specifications:

| | |
|---------------------------------|------------------------|
| Length | 18.25" |
| Maximum Width | 7.49" |
| Heater | 60 Watt Thermostatic |
| Primary Material | Aluminum |
| Drying Method | Coalescence/Desiccant |
| Mounting | Horizontal or Vertical |
| Burst Rating | 500 PSI |
| Max. Compressor Capacity | 24 SCFM |
| Air Ports | 1/2" Pipe |

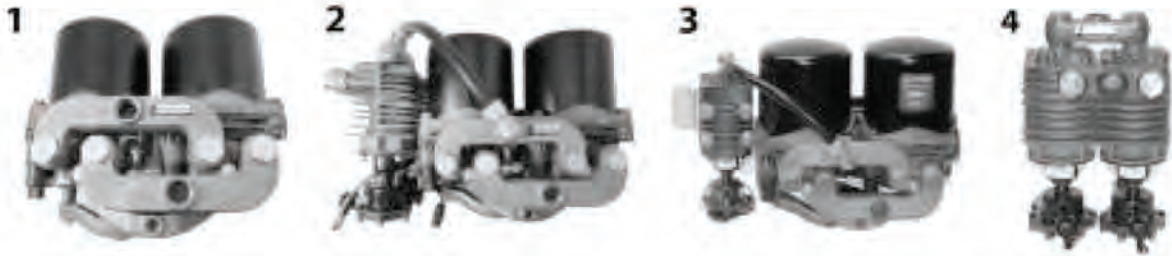
Notes:

- 1) Pure Air™ Repair Kits and Replacement Parts listed later in this section.

| SKU# | Product Description | Heater Voltage | Inlet Port | Outlet Port | Governor Port | Exhaust Port | Approx. Weight | OEM Part Number | Core Group |
|---------|------------------------------------|----------------|------------|-------------|---------------|--------------|----------------|-----------------|------------|
| KN33000 | Pure Air™ Air Dryer | 12 Volts | 1/2" | 1/2" | 1/8" | 1" Hose | 26.5 lbs. | N4244 | - |
| KN33002 | Pure Air™ Air Dryer – Compact Size | 12 Volts | 1/2" | 1/2" | 1/8" | 1" Hose | 18.6 lbs. | N4245 | - |
| KN33010 | Pure Air™ Air Dryer | 24 Volts | 1/2" | 1/2" | 1/8" | 1" Hose | 25.9 lbs. | N4244A | - |

Haldex (New/Remanufactured)

GeminiMDx® Dual Dryer System



Features:

- Combination of two Consep® Condenser/Separators and two DRYest® Air Dryers
- Pre-Treatment position is interchangeable to accommodate your current installation
- Custom manifold eliminates need for fitting and tubes in parallel plumbing
- Compact / Lightweight Assembly

With Pre-Treatment

53 lbs., 20" Wide, 15" High, 12" Deep

Without Pre-Treatment

38 lbs., 14" Wide, 15" High, 12" Deep

| SKU# | Product Description | Dryer | Consep | Silenced | Drain Tube | Notes | OEM Part Number | Picture # |
|---------|-----------------------|-------------------------|-------------------------|----------|------------|--|-----------------|-----------|
| DA37005 | GeminiMDx Dual Dryer™ | 24 Volt heater included | none | yes | no | Dual Dryer 24V Silenced SKF replacement | N4265DA | 2 |
| DA37013 | GeminiMDx® Dual Dryer | 24 Volt heater included | 12 Volt heater included | yes | no | Dual 24V dryer / single 12V Consep New Flyer Bus replacement | N4265AD | 3 |
| DA37061 | GeminiMDx® Dual Dryer | 24 Volt heater included | 24 Volt heater included | yes | no | Dual Dryer/Dual Consep 24V | N4265BC | 1 |
| DA37100 | GeminiMDX® Dual Dryer | 24 Volt heater included | none | no | yes | Dual Dryers 24V, NOVA Bus | N4265AB | 2 |
| DA37200 | GeminiMDX® Dual Dryer | 12 Volt heater included | none | yes | no | Dual Dryer 12V | - | 2 |
| DA37251 | GeminiMDX® Dual Dryer | 12 Volt heater included | 12 Volt heater included | yes | no | Dual Dryer 12V/Dual Consep 12V | - | 1 |
| DA39100 | GeminiMDX® Dual Dryer | none | 24V heater included | no | no | Dual Consep 24V/ open drain/Gilg Bus | N4265CF | 4 |

Haldex (New/Remanufactured)

DRYest® Service Kits



| SKU# | Product Description | Notes |
|----------|--|---|
| 47110007 | Pressure Control Check Valve for DRYest® Air Dryer | - |
| 47110015 | Packard Electrical Connector for DRYest® Air Dryer | with 12" Pigtail |
| 47110020 | Heater Kit 12 Volt for DRYest®, ModulAir® Air Dryer | with Pigtail and Splice Connectors |
| 47110021 | Heater Kit 24 Volt for DRYest®, ModulAir® Air Dryer | with Pigtail and Splice Connectors |
| 47110022 | Check Valve Assembly Kit for DRYest® Air Dryer | - |
| 47177343 | Valve Kit Assembly for DRYest® Air Dryer | with Integrated Governor (125 psi) |
| 47177434 | Regeneration Valve for DRYest®, ModulAir® Air Dryer | - |
| 47177442 | Valve Kit Assembly for DRYest® Air Dryer | Does not contain internal governor. |
| 47178106 | Turbo Protection Valve for DRYest® Air Dryer | External |
| 47178199 | Heater 24 Volt for DRYest® Air Dryer | Heater Only |
| 47178223 | Heater 12 Volt for DRYest® Air Dryer | Heater Only |
| 47178964 | MTC Desiccant Cartridge Kit for DRYest®, ModulAir® Air Dryer | Included components are mounting bolts, o-ring, bolt anti-seize lubricant and installation instructions |

| SKU# | Product Description | Notes |
|----------|---|---|
| 47187348 | Valve Kit Assembly for DRYest® Air Dryer | with Integrated Governor (150 psi) OEM# 471-87348 |
| 47189189 | Turbo Protection Valve Kit for DRYest® Air Dryer | Integrated |
| 47190361 | Safety Valve for DRYest® Air Dryer | 11 Bar |
| DQ6054 | O-Ring Kit for PUPrest®, DRYest®, ModulAir® Cartridge | 10 pack |

Haldex (New/Remanufactured)

DRYest® Purge Tank Kit



| SKU# | Product Description | Hose | Fittings | Tank Size | Application |
|----------|--------------------------------------|------|----------|----------------------------|---|
| 47010001 | Purge Tank Kit for DRYest® Air Dryer | 6' | Brass | 4.5 Liter / 300 cubic inch | DA35100, DA35105, DA35110, DA35115, DA35200, DA35205, DA35210, DA35215, DA35220 |

Haldex (New/Remanufactured)

DRYest® Valve Cap



| SKU# | Product Description | Length | Width | Depth | Weight | Application | OEM Part Number |
|----------|---|--------|--------|-------|----------|--|-----------------|
| 47110024 | White Plastic Valve Cap for DRYest® Air Dryer | 1/2" | 1-1/2" | 3/4" | 0.2 lbs. | Fits under MTC cartridge in DRYest Air Dryer | 471-10024 |

Haldex (New/Remanufactured)

ModulAir® Service Kits



| SKU# | Product Description | Notes |
|----------|--|---|
| 47110020 | Heater Kit 12 Volt for DRYest®, ModulAir® Air Dryer | with Pigtail and Splice Connectors |
| 47110021 | Heater Kit 24 Volt for DRYest®, ModulAir® Air Dryer | with Pigtail and Splice Connectors |
| 47177434 | Regeneration Valve for DRYest®, ModulAir® Air Dryer | - |
| 47178964 | MTC Desiccant Cartridge Kit for DRYest®, ModulAir® Air Dryer | Included components are mounting bolts, o-ring, bolt anti-seize lubricant and installation instructions |
| DQ6051 | Universal Mounting Bracket | - |
| DQ6054 | O-Ring Kit for PURest®, DRYest®, ModulAir® Cartridge | 10 pack |
| DQ6055 | Turbo Protection Valve for ModulAir® Dryer | OEM# 950310015 |
| DQ6056 | Unloader/Purge Valve for ModulAir® Dryer | OEM# 950310016 |
| DQ6058 | Tank Kit for ModulAir® Dryer – Kenworth T Series | With dryer mounted forward of right front wheel. |
| DQ6060 | Tank Kit for ModulAir® Dryer – Kenworth W900 Series | With dryer mounted in front of cab. |
| DQ6061 | Tank Kit for ModulAir® Dryer – Navistar Pro Series | - |
| DQ6063 | Tank Kit for ModulAir® Dryer – Peterbilt | - |
| DQ6064 | Tank Kit for ModulAir® Dryer – Kenworth "Behind the Cab" | - |

Haldex (New/Remanufactured)

PURest® Service Kits



| SKU# | Product Description | Notes |
|---------|--|---|
| DA33115 | Purge Assembly Kit for Pure Air Plus™ and PURest® Air Dryer | - |
| DQ6013 | 12V Heater Kit for Pure Air Plus™ and PURest® Air Dryer | 12 Volt – For dryers date coded after 8/97; includes Heater 102655DP. |
| DQ6014 | 24V Heater Kit for Pure Air Plus™ and PURest® Air Dryer | 24 Volt – For dryers date coded after 8/97; includes Heater 102655DT. |
| DQ6023 | Purge Shield Kit for Pure Air Plus™ and PURest® Air Dryer | - |
| DQ6027 | Extended Purge Kit (Tank) for Pure Air Plus™ and PURest® Air Dryer | Kit contains: (2) Tube and Fitting Assembly, (1) 1/4" Drain Valve, (1) 3/8" Pipe Plug (1) Air Reservoir |
| DQ6037 | Differential Feedback Check Valve Kit for Pure Air Plus™ and PURest® Air Dryer | - |
| DQ6050 | MTC Desiccant Cartridge Kit for PURest® Air Dryer | - |
| DQ6051 | Universal Mounting Bracket | - |
| DQ6052 | Turbo Protection Valve Kit for PURest® Air Dryer | - |
| DQ6053 | Lower Housing Repair Kit for PURest® Air Dryer | - |
| DQ6054 | O-Ring Kit for PURest®, DRYest®, ModulAir® Cartridge | 10 pack |
| RN60G | One-Way Check Valve Kit for Pure Air™, Pure Air Plus™ and PURest® Air Dryer | Outlet check valve kit. |

Haldex (New/Remanufactured)

Pure Air Plus™ Service Kits



| SKU# | Product Description | Notes |
|---------|--|--|
| 300074E | Mounting Bracket for Pure Air Plus™ | OEM# 300074E |
| DA33115 | Purge Assembly Kit for Pure Air Plus™ and PURest® Air Dryer | - |
| DA33125 | 3 lb. Desiccant Cartridge Only for Pure Air Plus™ | Heavy Duty OEM# 201160B |
| DQ6020 | Lower Housing Repair Kit for Pure Air Plus™ | Includes: Purge, Turbo Saver™, One-Way Check Valve Assemblies. |
| DQ6023 | Purge Shield Kit for Pure Air Plus™ and PURest® Air Dryer | - |
| DQ6024 | Clamp Band Kit for Pure Air Plus™ | OEM# 102760A |
| DQ6026 | General Service Kit for Pure Air Plus™ | Includes: Desiccant Cartridge, Coalescing Filter, Relief Valve, Purge Shield, Associated Hardware |
| DQ6027 | Extended Purge Kit (Tank) for Pure Air Plus™ and PURest® Air Dryer | Kit contains: (2) Tube and Fitting Assembly, (1) 1/4" Drain Valve, (1) 3/8" Pipe Plug (1) Air Reservoir |
| DQ6028 | Heavy Duty Kit (Cartridge and Tank) for Pure Air Plus™ | Kit contains: (2) Tube and Fitting Assembly, (1) 1/4" Drain Valve, (1) 3/8" Pipe Plug, (1) Air Reservoir, (1) Desiccant Canister, (1) O-Ring, (1) 1/4 oz. Grease. |
| DQ6031 | Turbo Kit for Pure Air Plus™ | - |

Haldex (New/Remanufactured)

Pure Air Plus™ Service Kits



| SKU# | Product Description | Notes |
|--------|---|---|
| DQ6032 | Coalescing Filter Kit for Pure Air Plus™ | Includes (1) Coalescing Filter, (1) Small O-Ring, (1) Dessicant Cannister Gasket (new style). |
| DQ6036 | 2 lb. Desiccant Cartridge Only for Pure Air Plus™ | 6-1/2" Tall |
| DQ6037 | Differential Feedback Check Valve Kit for Pure Air Plus™ and PUPRest® Air Dryer | - |
| RN60G | One-Way Check Valve Kit for Pure Air Plus™, Pure Air Plus™ and PUPRest® Air Dryer | Outlet check valve kit. |

Haldex (New/Remanufactured)

Pure Air™/Pure Air Plus™ Heater Kits



Notes:

- 1) When **RN60N** and **RN60P** are used on pre-1989 production, the lower cover assembly must also be replaced.

| SKU# | Product Description | Notes |
|--------|--|---|
| DQ6011 | 12V Heater Kit for Pure Air Plus™ Air Dryer | 12 Volt – For dryers date coded prior to 9/97; includes heater #102655FE. |
| DQ6012 | 24V Heater Kit for Pure Air Plus™ Air Dryer | 24 Volt – For dryers date coded prior to 9/97; includes Heater #102655FF. |
| DQ6013 | 12V Heater Kit for Pure Air Plus™ and PUPrest® Air Dryer | 12 Volt – For dryers date coded after 8/97; includes Heater 102655DP. |
| DQ6014 | 24V Heater Kit for Pure Air Plus™ and PUPrest® Air Dryer | 24 Volt – For dryers date coded after 8/97; includes Heater 102655DT. |
| RN60N | 12V Heater Kit for Pure Air™ Air Dryer | Kit contains 12 Volt Heater Assembly, Heater Element Cover and a Screw. |
| RN60P | 24V Heater Kit for Pure Air™ Air Dryer | Kit contains 24 Volt Heater Assembly, Heater Element Cover and a Screw. |

Haldex (New/Remanufactured)

Pure Air™ Service Kits



| SKU# | Product Description | Notes |
|---------|--|--|
| 102642 | Retainer (Cover) for Pure Air™ | - |
| D300074 | Aluminum Bracket for Pure Air | Kit includes: (1) Alum. Bracket (2 required to mount). |
| DQ6025 | Elbow Kit with Boot for Pure Air | - |
| RN60 | Minor Service Kit for Pure Air™ | - |
| RN60A | Major Kit for Pure Air. | Kit contains: (1) Filter, (1) Desiccant Bag, (8) O-Rings, (1) Check Valve Seal, (1) Purge Valve Seal (2) Grease, Silicone. |
| RN60D | Lower Cover Assembly for Pure Air™ | 12 Volt |
| RN60E | Lower Cover Assembly for Pure Air™ | 24 Volt |
| RN60F | Purge Valve Kit for Pure Air™ | - |
| RN60G | One-Way Check Valve Kit for Pure Air™ , Pure Air Plus™ and PURest® Air Dryer | Outlet check valve kit. |
| RN60H | Minor Kit for Compact Pure Air™ | - |
| RN60J | Major Kit for Compact Pure Air™ | - |
| RN60K | Elbow Kit for Pure Air™ | Includes (3) screws. |
| RN60S | Top Cover Assembly for Pure Air™ | - |

Haldex (New/Remanufactured)

Pure Air™ Filter



| SKU# | Product Description | Mounting Measurements | Overall Height | Diameter | Application | OEM Part Number |
|---------|---------------------|-----------------------|----------------|----------|--|-----------------|
| 100696E | Air Cleaner Filter | - | 1.415" | 4" | KN33000 KN33002 KN33010 KN33011 KN33012 KN19040 | - |

Haldex (New/Remanufactured)

Safety Valve – Pure Air TM/Pure Air Plus TM, PUPrest, ModulAir®



Short

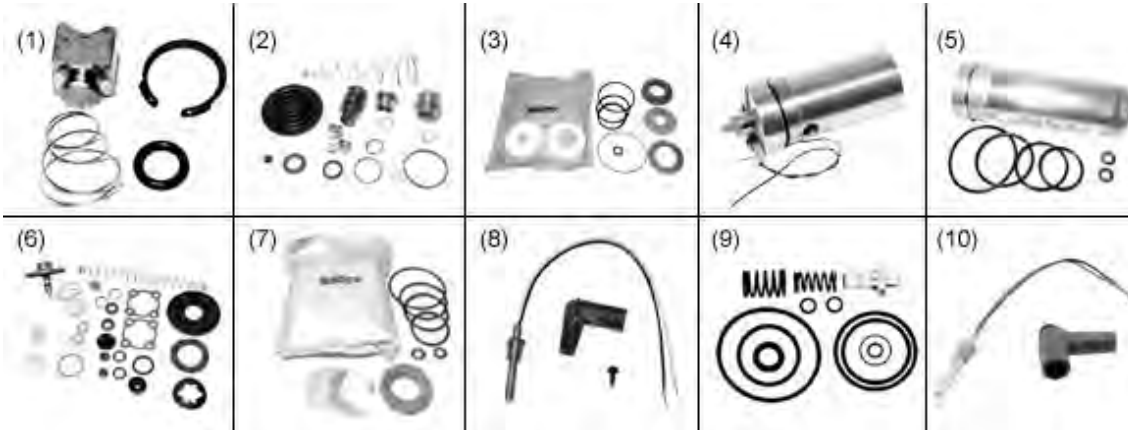


Closed

| SKU# | Product Description | Body Style | Thread Size | PSI | Notes | OEM Part Number |
|---------|-----------------------|------------|-------------|-----|---|-----------------|
| KN31250 | Pressure Relief Valve | Short | 3/8" | 150 | Pure Air | N1178BB |
| KN31527 | Pressure Relief Valve | Closed | 3/8" | 175 | Pure Air Plus, PUPrest, ModulAir® | N1178EE |
| KN31529 | Pressure Relief Valve | Closed | 3/8" | 200 | Pure Air Plus, PUPrest, ModulAir® – fit and functionally the same as KN31527 but has a higher pressure setting. Has felt sleeve (not shown) to protect vent holes from road debris. | N1178EH |

Haldex (New/Remanufactured)

Aerofiner II and III Service Kits



| SKU# | Product Description | Application | OEM # | Pic. # |
|-------|---|--|--------|--------|
| RN94 | Check Valve Repair Kit for Aerofiner II | KN33550, KN33540, KN33530, KN33520, KN33510, KN33500 | RN94 | 1 |
| RN950 | Check Valve Repair Kit for Aerofiner III | KN33600, KN33610, KN33620, KN33630, KN33640, KN33650, KN33660, KN33670, KN33680, KN33690 | - | 2 |
| RN951 | Desiccant Recharge Kit for Aerofiner III | KN33600, KN33610, KN33620, KN33630, KN33640, KN33650, KN33660, KN33670, KN33680, KN33690 | - | 3 |
| RN952 | Purge Valve Repair Kit for Aerofiner III | KN33600, KN33610 | KAF952 | - |
| RN953 | Canister Replacement Kit for Aerofiner III | KN33600, KN33610, KN33620, KN33630, KN33640, KN33650, KN33660, KN33670, KN33680, KN33690 | - | 5 |
| RN954 | Top Service Mounting Clamp Kit for Aerofiner III | KN33600, KN33620, KN33640, KN33660, KN33680 | - | - |
| RN956 | 12 Volt Heater/Purge Valve for Aerofiner III | KN33620, KN33630, KN33660, KN33670 | KAF956 | 4 |
| RN957 | 24 Volt Heater/Purge Valve for Aerofiner III | KN33640, KN33650, KN33680, KN33690 | KAF957 | - |
| RN969 | Bulk Recharge Kit for Aerofiner II | KN33550, KN33540, KN33530, KN33520, KN33510, KN33500 | RN969 | 7 |
| RN970 | Purge Valve Repair Kit for Aerofiner II | KN33550, KN33540, KN33530, KN33520, KN33510, KN33500 | RN970 | 9 |
| RN973 | Recharge Canister Kit for Aerofiner II | KN33550, KN33540, KN33530, KN33520, KN33510, KN33500 | RN973 | 5 |
| RN975 | Standard Heater 12V, 35W, 3.0 Amps for Aerofiner II | KN33510 | RN975 | 10 |
| RN976 | Standard Heater 24V, 35W, 1.5 Amps for Aerofiner II | KN33520 | RN976 | 10 |
| RN977 | Standard Heater with Thermostat 12V, 35W, 3.0 Amps for Aerofiner II | KN33530 | - | 8 |
| RN978 | Standard Heater with Thermostat 24V, 35W, 1.5 Amps for Aerofiner II | KN33540 | - | 8 |

Competitive (New/Remanufactured)

WABCO SS1200



Features:

- Lightweight
- Compact 1200 Series
- Replaceable Spin-On Cartridge
- Metri-Pack Type Heater Connector

Specifications:

Height 11.2"

Notes:

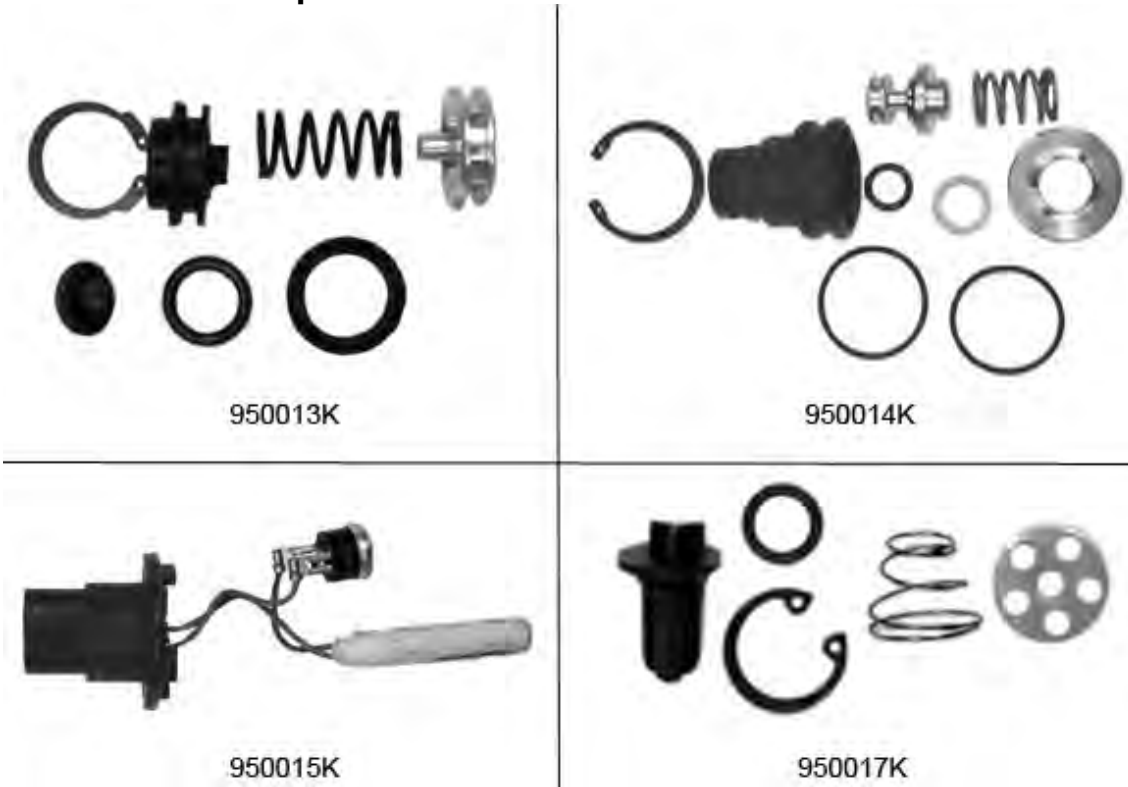
- 1) 955300X does not have a Regeneration Valve.
- 2) Look for the "CX" suffix when ordering an air dryer with the new Haldex Coalescing Filter (HFC) 0310056096.

| SKU# | Product Description | MFG. # | Heater Voltage | Supply | Delivery | Control | Approx. Weight | Core Group |
|---------|---|--------------------|----------------|---------------|---------------|---------------|----------------|------------|
| 955205 | New WABCO SS1200 Air Dryer | R955205 R955005 | 12 Volt | 1/2" - 14 NPT | 1/2" - 14 NPT | 1/4" - 18 NPT | 15 lbs. | - |
| 955205X | Remanufactured WABCO SS1200 Air Dryer | R955205 R955005 | 12 Volt | 1/2" - 14 NPT | 1/2" - 14 NPT | 1/4" - 18 NPT | 15 lbs. | 165WAB |
| 955206X | Remanufactured WABCO SS1200 Air Dryer | R955206 | 24 Volt | 1/2" - 14 NPT | 1/2" - 14 NPT | 1/4" - 18 NPT | 11.1 lbs. | 165WAB |
| 955300X | Remanufactured WABCO SS1200P Air Dryer - requires an External Purge Tank (not supplied) | R955300 | 12 Volt | 1/2" - 14 NPT | 1/2" - 14 NPT | 1/4" - 18 NPT | 15 lbs. | 166WAB |
| 955315X | Remanufactured WABCO SS1200P Air Dryer - requires an External Purge Tank (not supplied) | R955315 | 24 Volt | 1/2" - 14 NPT | 1/2" - 14 NPT | 1/4" - 18 NPT | 15 lbs. | 116 WAB |

| | | | | | | | | |
|----------|--|---------|---------|---------------|---------------|---------------|-----------|---------|
| 955079CX | Remanufactured WABCO SS1200 Air Dryer WITH HFC | R955079 | 12 Volt | 1/2" - 14 NPT | 1/2" - 14 NPT | 1/4" - 18 NPT | 15 lbs. | 165WAB |
| 955206CX | Remanufactured WABCO SS1200 Air Dryer WITH HFC | - | 24 Volt | 1/2" - 14 NPT | 1/2" - 14 NPT | 1/4" - 18 NPT | 11.1 lbs. | 165WAB |
| 955300CX | Remanufactured WABCO SS1200P Air Dryer - requires an External Purge Tank (not supplied) WITH HFC | - | 12 Volt | 1/2" - 14 NPT | 1/2" - 14 NPT | 1/4" - 18 NPT | 15 lbs. | 166WAB |
| 955315CX | Remanufactured WABCO SS1200P Air Dryer - requires an External Purge Tank (not supplied) WITH HFC | - | 24 Volt | 1/2" - 14 NPT | 1/2" - 14 NPT | 1/4" - 18 NPT | 15 lbs. | 116 WAB |

Competitive (New/Remanufactured)

WABCO SS1200 Repair Kits



| SKU# | Product Description | Application |
|---------|--|------------------|
| 950013K | Turbo Cut-Off Valve Kit for WABCO SS1200 Air Dryer | 955205X, 955206X |
| 950014K | Purge Valve Kit for WABCO SS1200 Air Dryer | 955205X, 955206X |
| 950015K | Heater Kit 12 Volt for WABCO SS1200 Air Dryer | 955205X, 955206X |
| 950016K | Heater Kit 24 Volt for WABCO SS1200 Air Dryer | 955206X, 955315X |
| 950017K | Outlet Check Valve Kit for WABCO SS1200 Air Dryer | 955205X, 955206X |

Competitive (New/Remanufactured)

Bendix® AD-2



Features:

- Desiccant type.
- In-line filtration system.
- Automatic drain valve which is controlled by the governor.

Specifications:

Approximate Weight 25 lbs.

Notes:

- 1) Air Dryer not supplied with mounting bracket.
- 2) R&R Only.

| SKU# | Product Description | Heater Voltage | Inlet Port | Outlet Port | Plugged Port | Core Group |
|---------|---------------------------------------|----------------|------------|-------------|--------------|------------|
| 286934X | Remanufactured Bendix® AD-2 Air Dryer | 12 Volt | 1/2" | 1/2" | 1/2" | 153AD2 |

Competitive (New/Remanufactured)

Bendix® AD-4



Features:

- Desiccant type.
- In-line filtration system.
- Automatic drain valve which is controlled by the governor.

Specifications:

Approximate Weight 32.6 lbs.

Notes:

- 1) Air Dryer not supplied with mounting bracket.

| SKU# | Product Description | Heater Voltage | Heater Watts | Supply Port | Delivery Port | Control Port | Core Group |
|--------|---------------------------------------|----------------|--------------|-------------|---------------|--------------|------------|
| 65041X | Remanufactured Bendix® AD-4 Air Dryer | 12 Volt | 60 Watt | 1/2" | 1/2" | 1/4" | 154AD4 |

Competitive (New/Remanufactured)

Bendix® AD-9



Features:

- Desiccant type.
- In-line filtration system.
- Automatic drain valve which is controlled by the governor.

Specifications:

Approximate Weight 28 lbs.

| SKU# | Product Description | Heater Voltage | Heater Watts | Supply | Delivery | Control | Notes | Core Group |
|----------|--|----------------|--------------|---------|----------|---------|---|------------|
| 109685HX | Reman. Bendix® AD-9 Air Dryer with Bracket and Wiring Harness | 12 Volt | 75 Watt | 1/2" PT | 1/2" PT | 1/4" PT | Includes Wiring Harness and Mounting Bracket Replaces Bendix part number 5009378 | 157AD9 |
| 109685X | Reman. Bendix® AD-9 Air Dryer | 12 Volt | 75 Watt | 1/2" PT | 1/2" PT | 1/4" PT | Replaces 65225X | 157AD9 |
| 109687X | Reman. Bendix® AD-9 Air Dryer | 12 Volt | 75 Watt | 3/4" PT | 3/4" PT | 1/4" PT | Replaces 65226 | 157AD9 |
| 109688HX | Reman. Bendix® AD-9 Air Dryer with Extended Purge, Bracket and Harness | 24 Volt | 75 Watt | 3/4" PT | 3/4" PT | 1/4" PT | Extended Purge Volume | 157AD9 |
| 109688X | Reman. Bendix® AD-9 Air Dryer with Extended Purge | 24 Volt | 75 Watt | 3/4" PT | 3/4" PT | 1/4" PT | Extended Purge Volume | 157AD9 |
| 109689X | Reman. Bendix® AD-9 Air Dryer with Soft Seat Purge | 12 Volt | 75 Watt | 1/2" PT | 1/2" PT | 1/4" PT | Soft Seat | 157AD9 |
| 65224 | New Bendix® AD-9 Air Dryer with Soft Seat Purge | 24 Volt | 75 Watt | 3/4" PT | 3/4" PT | 1/4" PT | Includes Wiring Harness and Mounting Bracket | 157AD9 |
| 65224X | Reman. Bendix® AD-9 Air Dryer with Soft Seat Purge | 24 Volt | 75 Watt | 3/4" PT | 3/4" PT | 1/4" PT | Not supplied with Mounting Bracket | 157AD9 |
| 65225 | New Bendix® AD-9 Air Dryer | 12 Volt | 75 Watt | 1/2" PT | 1/2" PT | 1/4" PT | Includes Wiring Harness and Mounting Bracket | - |
| 65228X | Reman. Bendix® AD-9 Air Dryer with Extended Purge | 12 Volt | 75 Watt | 3/4" PT | 3/4" PT | 1/4" PT | Extended Purge Volume | 157AD9 |

| SKU# | Product Description | Heater Voltage | Heater Watts | Supply | Delivery | Control | Notes | Core Group |
|---------|---|----------------|--------------|---------|----------|---------|---|------------|
| 65499X | Reman. Bendix® AD-9 Air Dryer – Discharge Line Unloader (DLU) | 12 Volt | 75 Watt | 1/2" PT | 1/2" PT | 1/4" PT | Discharge Line Unloader (DLU) | 157AD9 |
| 65605X | Reman. Bendix® AD-9 Air Dryer – Discharge Line Unloader (DLU) | 24 Volt | 75 Watt | 1/2" PT | 1/2" PT | 1/4" PT | Discharge Line Unloader (DLU) | 157AD9 |
| 65647WX | Reman. Bendix® AD-9 Air Dryer – Drop In, Holset QE Applications with Port Plugged | 12 Volt | 75 Watt | 1/2" PT | 1/2" PT | 1/4" PT | Drop In, Holset QE Applications with Port Plugged | 157AD9 |
| 65647X | Reman. Bendix® AD-9 Air Dryer – Drop In, Holset QE Applications | 12 Volt | 75 Watt | 1/2" PT | 1/2" PT | 1/4" PT | Drop In, Holset QE Applications | 157AD9 |
| 65650 | New Bendix® AD-9 Air Dryer with Soft Seat Purge | 12 Volt | 75 Watt | 1/2" PT | 1/2" PT | 1/4" PT | Soft Seat Includes Wiring Harness and Mounting Bracket | - |
| 65650N | New Bendix® AD – dryer with Soft Seat Purge | 12 volt | 75 | 1/2 | 1/2 | 1/4 | Soft Seat, does not include wiring harness and mounting bracket | - |

Competitive (New/Remanufactured)

Bendix® AD-IP



Features:

- Desiccant Type
- In-line Filtration System
- Automatic Drain Valve which is controlled by the Governor

Specifications:

Height 12.5"
Width 9.25"

| SKU# | Product Description | Heater Voltage | Supply | Delivery | Control | Approx. Weight | Notes | Core Group |
|----------|--|----------------|--------|----------|---------|----------------|--|------------|
| 109477RX | Remanufactured Bendix® AD-IP Air Dryer - CoreFreeA™ | 12 Volt | 1/2" | 1/2" | 1/4" | 26.2 lbs. | Does not include Mounting Bracket or Wiring Harness. | 161ADIP |
| 109477X | Remanufactured Bendix® AD-IP Air Dryer | 12 Volt | 1/2" | 1/2" | 1/4" | 26.2 lbs. | Does not include Mounting Bracket or Wiring Harness. | 161ADIP |
| 109478X | Remanufactured Bendix® AD-IP Air Dryer | 24 Volt | 1/2" | 1/2" | 1/4" | 27.0 lbs. | Does not include Mounting Bracket or Wiring Harness. | 161ADIP |
| 5000709X | Remanufactured Bendix® AD-IP Air Dryer - Drop In | 12 Volt | 1/2" | 1/2" | 1/4" | 27.0 lbs. | Drop-in unit for Cummins Econ application | 161ADIP |
| 5000985X | Remanufactured Bendix® AD-IP Air Dryer | 12 Volt | 1/2" | 1/2" | 1/4" | 26.2 lbs. | With Econ Port plugged. | 161ADIP |
| 5005556X | Remanufactured Bendix® AD-IP Air Dryer with extended Purge | 12 Volt | 1/2" | 1/2" | 1/4" | 26.2 lbs. | Does not include Mounting Bracket or Wiring Harness. | 161ADIP |
| 5018227X | Remanufactured Bendix® AD-IP Air Dryer | 12 Volt | 1/2" | 1/2" | 1/4" | 26.2 lbs. | Discharge Line Unloader (DLU) Style Purge Assembly | 161ADIP |

Competitive (New/Remanufactured)

Bendix® AD-IS



5005050X



5010696X



5004050CX

NOTES: Look for the "CX" suffix when ordering an air dryer with the new Haldex Coalescing Filter (HFC).

| SKU# | Product Description | MFG. # | Heater Voltage | Heater Wattage | Supply | Delivery | Control | Approx. Weight | Core Group |
|----------|---|---------|----------------|----------------|--------|----------|---------|----------------|------------|
| 5004050X | Remanufactured Bendix® AD-IS Air Dryer used on Dryer Reservoir Module | 5004050 | 12 Volt | 90 Watt | 1/4" | 1/4" | 1/4" | 15 lbs. | 168ADIS |
| 5010696X | Remanufactured Bendix® AD-IS Air Dryer with Extra Purge Volume | 5010696 | 12 Volt | 90 Watt | 1/4" | 1/4" | 1/4" | 15 lbs. | 168ADIS |

| | | | | | | | | | |
|-----------|--|-----------|---------|---------|------|------|------|---------|---------|
| 5004050CX | Remanufactured Bendix® AD-IS Air Dryer used on Dryer Reservoir Module (DRMA™) WITH HFC | 5004050PG | 12 Volt | 90 Watt | 1/4" | 1/4" | 1/4" | 15 lbs. | 168ADIS |
| 5010696CX | Remanufactured Bendix® AD-IS Air Dryer with Extra Purge Volume WITH HFC | 5010696PG | 12 Volt | 90 Watt | 1/4" | 1/4" | 1/4" | 15 lbs. | 168ADIS |

Competitive (New/Remanufactured)

Bendix® AD-SP



109991X



109991CX

Features:

- System Purge

Specifications:

Height 11.07"
Width 5.62"

Notes:

- 1) **DO NOT** remove rear cover; components under cover are not serviceable.
- 2) Look for the "CX" suffix when ordering an air dryer with the new Haldex Coalescing Filter (HFC) **0310056096**.

| SKU# | Product Description | MFG. # | Heater Voltage | Heater Wattage | Supply | Delivery | Control | Approx. Weight | Core Group |
|---------|---|---------------|----------------|----------------|--------|----------|---------|----------------|------------|
| 109991X | Remanufactured Bendix® AD-SP Air Dryer | 109991 065691 | 12 Volt | 90 Watt | 1/2" | 1/2" | 1/4" | 11.4 lbs. | 164ADSP |
| 109992X | Remanufactured Bendix® AD-SP Air Dryer | 109992 065694 | 24 Volt | 90 Watt | 1/2" | 1/2" | 1/4" | 10.5 lbs. | 164ADSP |
| 800973X | Remanufactured Bendix® AD-SP Drop-In Air Dryer for Holsets QE Application | 800973 | 12 Volt | 90 Watt | 1/2" | 1/2" | 1/4" | 12 lbs. | 164ADSP |

| | | | | | | | | | |
|----------|--|---------------|---------|---------|------|------|------|-----------|---------|
| 109991CX | Remanufactured Bendix® AD-SP Air Dryer WITH HFC | 109991 065691 | 12 Volt | 90 Watt | 1/2" | 1/2" | 1/4" | 11.4 lbs. | 164ADSP |
| 109992CX | Remanufactured Bendix® AD-SP Air Dryer WITH HFC | 109992 065694 | 24 Volt | 90 Watt | 1/2" | 1/2" | 1/4" | 10.5 lbs. | 164ADSP |
| 800973CX | Remanufactured Bendix® AD-SP Drop-In Air Dryer for Holsets QE Application WITH HFC | 800973 | 12 Volt | 90 Watt | 1/2" | 1/2" | 1/4" | 12 lbs. | 164ADSP |

Competitive (New/Remanufactured)

Bendix® End Cover Assembly



| SKU# | Product Description | Voltage | Watts | Supply | Delivery | Approximate Weight | Picture | Core Group |
|----------|--|---------|---------|--------|----------|--------------------|---------|------------|
| 103980K | Bendix® AD-4 End Cover Repair Kit | 12 Volt | - | 1/2" | 1/2" | 6.3 lbs. | 2 | - |
| 286875RX | Remanufactured Bendix® AD-2 End Cover Assembly Corefree ^Å ™ | 12 Volt | - | - | - | 2.2 lbs. | 1 | - |
| 286875X | Remanufactured Bendix® AD-2 End Cover Assembly | 12 Volt | - | - | - | 2.2 lbs. | 1 | 149AD2 |
| 65044X | Remanufactured Bendix® AD-4 End Cover Assembly | 12 Volt | - | 1/2" | 1/2" | 6.3 lbs. | 2 | 155AD4 |
| 65229X | Remanufactured Bendix® AD-9 End Cover Assembly | 24 volt | - | 3/4 | 3/4 | 6.7 lbs. | 3 | 160AD9 |
| 65231X | Remanufactured Bendix® AD-9 End Cover Assembly | 12 Volt | 75 Watt | 1/2" | 1/2" | 6.7 lbs. | 3 | 160AD9 |
| 65454X | Remanufactured Bendix® AD-9 End Cover Assembly | 24 Volt | - | 1/2" | 1/2" | 6.7 lbs. | 3 | 160AD9 |
| 65654X | Remanufactured Bendix® AD-9 End Cover Assembly with Soft Seat Purge | 12 Volt | 75 Watt | 1/2" | 1/2" | 6.7 lbs. | 3 | 160AD9 |

Competitive (New/Remanufactured)

Bendix® Repair Kits

Product Image Not Available

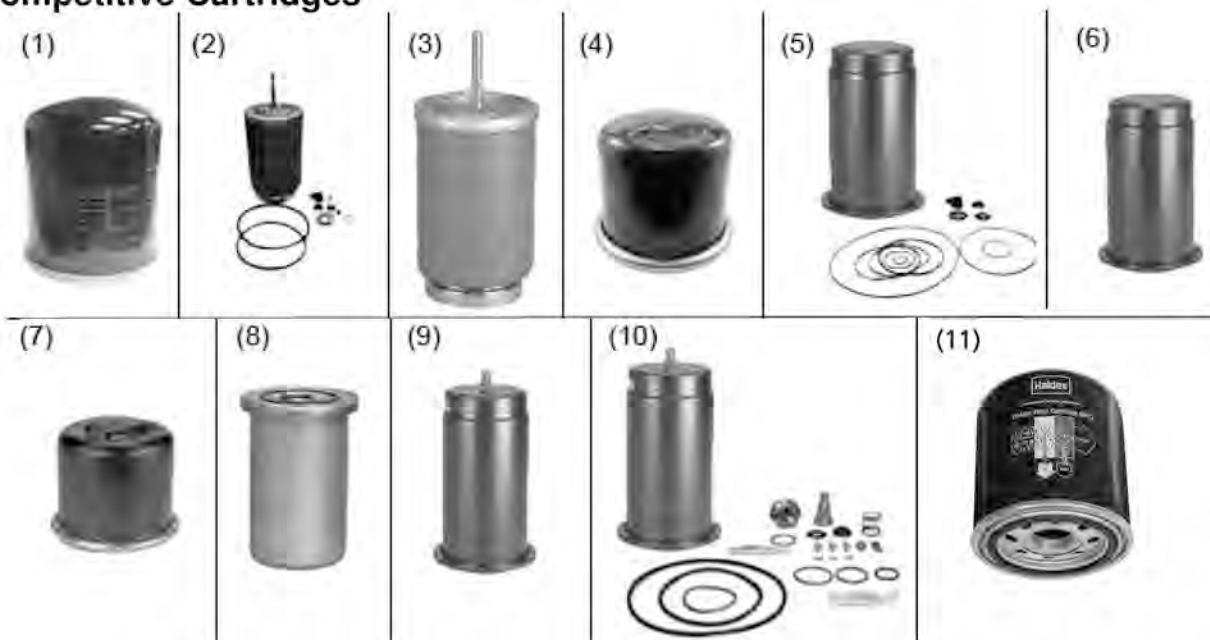
Notes:

- 1) 5003547K, 5005037K, 5005893K Purge Piston Retainer Shoulder Bolt not supplied. Must utilize old bolt when rebuilding purge valve assembly.

| SKU# | Product Description | Application | Core Group |
|----------|---|--|------------|
| 102657K | Thermostat for AD-2 and AD-4 Air Dryer | 286934X, 286936X, 65041X | - |
| 103818K | Purge Valve Repair Kit for AD-4 Air Dryer | 65041X | - |
| 103879K | Check Valve/Seal Repair Kit for AD-4 Air Dryer | 65041X | - |
| 107695K | Mounting Bracket for AD-9 Air Dryer | 109685X, 109689X, 65224X | - |
| 107798K | Purge Valve (Minor) Maintenance Kit for AD-9 Air Dryer | 109685X, 109685HX, 65224X, 65647X | - |
| 107800K | Check Valve Repair Kit for AD-9 Air Dryer | 109685X, 109689X, 65224X | - |
| 109494K | Delivery Check Valve Kit for AD-IP Air Dryer | 109477X, 5000709X | - |
| 109495K | 12 Volt Heater and Thermostat for AD-IP and AD-IS Air Dryer | 109477X, 5000709X | - |
| 109498K | Cartridge Bolt Kit for AD-IP Air Dryer | 109477X, 5000709X | - |
| 109569K | Purge Valve and Heater/Thermostat Repair Kit for AD-9 (12 V) Air Dryer | 109685X | - |
| 109578K | Heater and Thermostat Kit for AD-9 (12 V) Air Dryer | 109685X, 109689X | - |
| 109579K | Heater and Thermostat Kit for AD-9 (24 V) Air Dryer | 65224X | - |
| 109686X | Remanufactured Purge Valve and Heater/Thermostat Repair Kit for AD-9 (12 V) Air Dryer | 109685X | 167AD9 |
| 109869K | Wire Harness and Connector Repair Kit for AD-9 Air Dryer | 109685X, 109689X, 65224X | - |
| 109871K | Wiring Harness and Splice Kit for AD-IP Air Dryer | 109477X, 5000709X | - |
| 109993K | Turbo Cutoff Kit for AD-SP Air Dryer | 109991X, 109992X | - |
| 109995K | Purge Valve Kit for AD-SP Air Dryer | 109991X, 109992X | - |
| 287053K | Purge Valve Repair Kit for AD-2 Air Dryer | 286934X, 286936X | - |
| 287298K | Check Valve Repair Kit for AD-2 Air Dryer | 286934X, 286936X | - |
| 5001247K | Mounting Bracket Kit for AD-IP Air Dryer | 109477X, 5000709X | - |
| 5003547K | Purge Valve Repair Kit for AD-IP Air Dryer | 109477X, 5000709X, 5000985X see notes** | - |
| 5004338K | Purge Valve and Heater/Thermostat Repair Kit for AD-9 (24 V) Air Dryer | 65224X | - |
| 5004341X | Remanufactured Purge Valve Assembly (Soft Seat Purge) with 12 V Heater for AD-9 Air Dryer | 109689X | 167AD9 |
| 5004342X | Remanufactured Purge Valve Assembly (Soft Seat Purge) with 24 V Heater for AD-9 Air Dryer | 65605X | 167AD9 |
| 5005037K | Purge Valve Maintenance Kit for AD-9 Air Dryer | 109685X, 109685HX, 65224X, 65647X see Notes** | - |
| 5005893K | Purge Valve Maintenance Kit (Soft Seat) for AD-9 Air Dryer | 109689X, ** see notes | - |
| 800404K | Service Purge Valve for AD-IP and AD-IS Air Dryer | 109477X, 5000709X | - |
| K022105K | Purge Valve Assembly Kit for Air Dryer | AD-IP/AD-IS (Dual U-Cup) | - |

Competitive (New/Remanufactured)

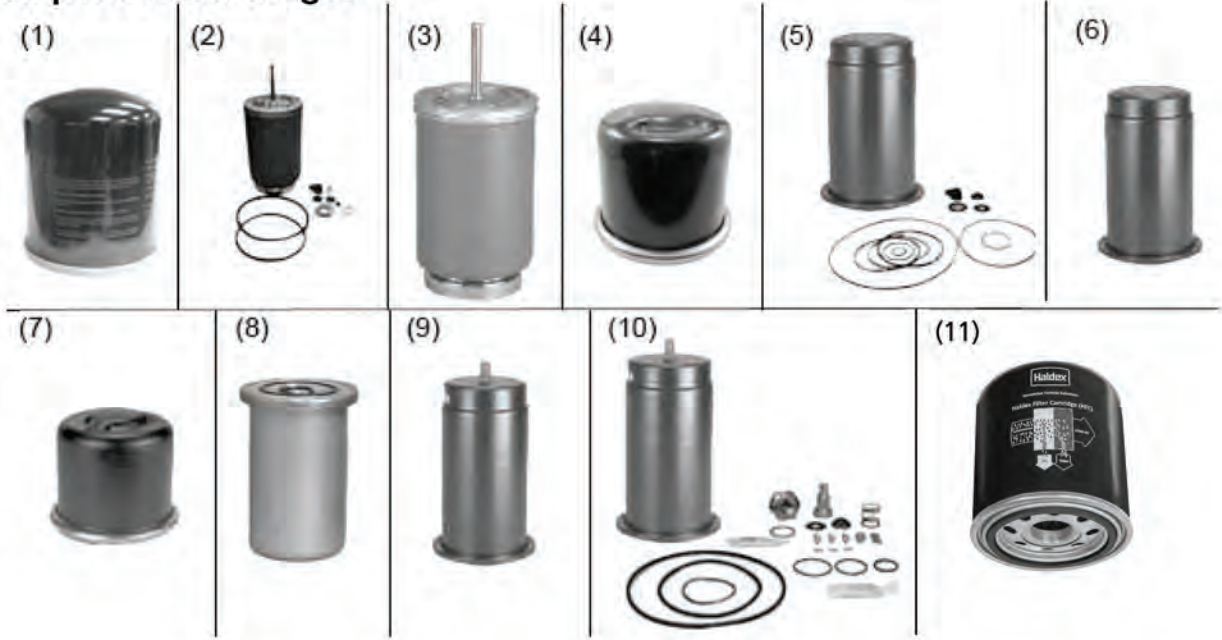
Competitive Cartridges



| SKU# | Product Description | Application | Approx. Weight | Pic. # | Core Group |
|-----------|---|---|----------------|--------|------------|
| 101900MKX | Bendix® Desiccant Cartridge, Purge and Check Valve Kit | AD-2 Air Dryer | 9.0 lbs. | 2 | 148AD2 |
| 101900X | Remanufactured Bendix® Cartridge | AD-2 Air Dryer | 7.8 lbs. | 3 | 148AD2 |
| 104358MKX | Bendix® Desiccant Cartridge, Purge and Check Valve Kit | AD-4 Air Dryer | 10.4 lbs. | 5 | 150AD4 |
| 104358X | Remanufactured Bendix® Cartridge | AD-4 Air Dryer | 9.7 lbs. | 6 | 150AD4 |
| 107794MKX | Bendix® Desiccant Cartridge, Purge and Check Valve Kit | AD-9 Air Dryer | 10.7 lbs. | 10 | 158AD9 |
| 107794RX | Remanufactured Bendix0174® Desiccant Cartridge - CoreFreeA™ | AD-9 | 9.7 lbs. | 9 | - |
| 107794X | Remanufactured Bendix® Cartridge | AD-9 Air Dryer | 9.7 lbs. | 9 | 158AD9 |
| 107796 | New Bendix® AD-9 Desiccant Cartridge | AD-9 Air Dryer | 9.7 lbs. | 9 | - |
| 109493RX | Remanufactured Bendix® Desiccant Cartridge - CoreFreeA™ | AD-IP Air Dryer | 15.9 lbs. | 7 | - |
| 109493X | Remanufactured Bendix® Desiccant Cartridge | AD-IP Air Dryer | 15.9 lbs. | 7 | 159ADIP |
| 109994K | New Bendix® Desiccant Cartridge | AD-SP and AD-IS Air Dryer | 6.6 lbs. | 1 | - |
| 31005609 | Coalescing Spin-on Filter for Air Dryers | Bendix® AD-SP and AD-IS Air Dryer and WABCO SS1200 Series | 5.75 lbs. | 11 | - |
| 5008414K | New Bendix® Desiccant Cartridge | AD-IS Air Dryer | 7.0 lbs. | 1 | - |

Competitive (New/Remanufactured)

Competitive Cartridges



| SKU# | Product Description | Application | Approx. Weight | Pic. # | Core Group |
|---------|--|--------------------------|----------------|--------|------------|
| 65624K | New AD-IP Bendix® Desiccant Cartridge for Air Dryers | AD-IP Air Dryer | 15.9 lbs. | 4 | - |
| 950011K | New WABCO Type Air Dryer Cartridge | WABCO SS1200 Air Dryer | 6.6 lbs. | 1 | - |
| CART224 | New Chicago Rawhide Desiccant Cartridge | C/R Turbo 2000 Air Dryer | 9.9 lbs. | 8 | - |

Consep® Condenser/Separator

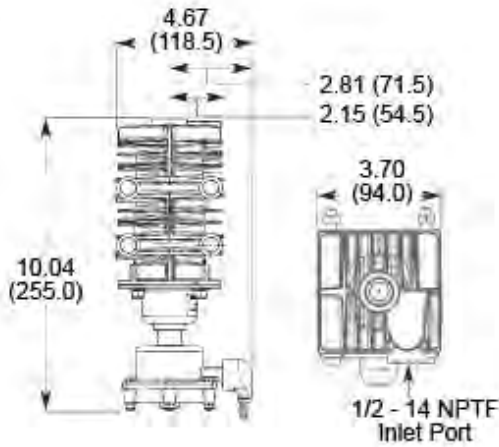


Features:

- Removes oil, liquid and other contaminants prior to passage through the air system.
- Purges contaminants with each brake application.
- Reduces corrosion and possible failure of air system components caused by contamination.
- Substantially increases air dryer desiccant life expectancy.
- Includes Haldex Automatic Drain Valve.

Specifications:

| | |
|---|----------------------------------|
| Weight | 4.25 lbs. |
| Height | 10" |
| Width | 4.4" |
| Drain Capacity | 1.3cc/purge @ 116 psi |
| Mounting Position | Vertical |
| Maximum Operating Pressure | 290 PSI |
| Inlet Temperature | -40°F to 175°F |
| Port Sizes | 1/2" - 14 NPTF |
| Rate Voltage & Power Consumption | 24 Volt/0.5 AMP or 12 Volt/1 AMP |



| SKU# | Product Description | Heater Type |
|----------|---|-------------|
| 41210026 | Consep® Condenser/Separator | 12 Volt |
| 41210029 | Consep® Condenser/Separator | 24 Volt |
| 41292939 | Consep® Condenser/Separator with Metric Ports | 24 Volt |

Consep® Service Kit



| SKU# | Product Description | Notes | Application |
|----------|---|---|----------------------|
| 41092749 | ADV for Consep® Condenser/Separator | Complete ADV service part for Consep 24V | 41210029 |
| 41092750 | ADV for Consep® Condenser/Separator | Complete ADV service part for Consep 12V | 41210026 |
| 41277322 | Condenser Kit for Consep® Condenser/Separator | Kit contains o-rings and plastic insert for condenser only. | 41210026 41210029 |
| 41290364 | Seal Kit for Consep® Condenser/Separator | Kit contains washer, o-rings, hardware and internal components. | 41210026 41210029 |

Drain Tube Kit for Consep® or ADV

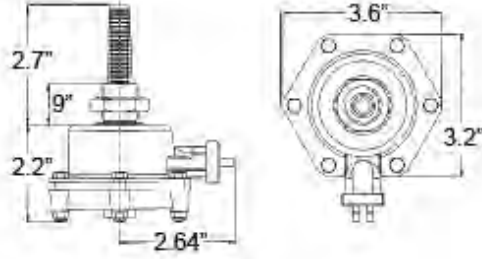


| SKU# | Product Description | Side Outlet | Replaces | OEM Number |
|----------|---|-------------|--------------|------------|
| 41178240 | Drain Tube Kit for Consep® or Automatic Drain Valve | 3/4" | Bottom Cover | 411-78240 |

Automatic Drain Valve



Optional 90 degree Fitting



Features:

- Expels moisture with each brake application.
- Reduces possible build-up of harmful condensation and contaminants.
- Not dependent on compressor cycling.
- Built in heater, standard on all valves, prevents valve freeze-ups.
- Built in filter, standard on all valves, protects valve against contamination.

Specifications:

| | |
|---|----------------------------------|
| Weight | 1.4 lbs. |
| Height | 2.1" |
| Width | 4.4" |
| Drain Capacity | 1.3cc/purge @ 11.8 psi |
| Mounting Position | Vertical |
| Maximum Operating Pressure | 300 PSI |
| Rate Voltage and Power Consumption | 24 Volt/0.5 AMP or 12 Volt/1 AMP |

Notes:

- 1) Optional relay switch and 90° fitting are included with each valve.

| SKU# | Product Description | Heater Type |
|----------|---------------------------------|-------------|
| 41010019 | Automatic Drain Valve (ADV) 12V | 12 Volt |
| 41010021 | Automatic Drain Valve (ADV) 24V | 24 Volt |

Automatic Drain Valve Service Kits



| SKU# | Product Description | Application |
|----------|---|---------------------|
| 41071327 | Repair Kit for Automatic Drain Valve (ADV) | 12 and 24 Volt ADVs |
| 41176281 | 24 Volt Relay for Automatic Drain Valve (ADV) | 24 Volt ADVs |
| 41176282 | 12 Volt Relay for Automatic Drain Valve (ADV) | 12 Volt ADVs |
| 41189454 | Coil Repair Kit for Automatic Drain Valve (ADV) | 24 Volt ADVs |
| 41189455 | Coil Repair Kit for Automatic Drain Valve (ADV) | 12 Volt ADVs |

Alcohol Evaporator



Features:

- The alcohol evaporator is an automatic vaporizing device for keeping air lines and air reservoir free of ice.
- Pressure Protected.

Specifications:

- A75962** Safety Valve Only (OEM# AD75962)
- A39219** Repair Kit to replace rubber parts
- A48373** Tetraseal (OEM# AD48373)
- AE73494** Cover (OEM# AE73494)

Notes:

- 1) During the Antifreeze Season – before reactivating the evaporator, drain, disassemble, inspect and clean the unit of any sludge. Steam cleaning will not injure the unit.
- 2) For optimum use of alcohol mount unit 8 to 10 feet from Compressor and after Air Dryer if so equipped.

| SKU# | Product Description | Capacity | Ports | Bracket Location | OEM Number |
|--------|--------------------------------------|--------------------------|----------|---------------------------------------|------------|
| A72420 | Alcohol Evaporator with Safety Valve | 40 oz. of Methyl Alcohol | 1/2" NPT | As shown in picture. | AE72420 |
| A72421 | Alcohol Evaporator with Safety Valve | 40 oz. of Methyl Alcohol | 1/2" NPT | Opposite side of location in picture. | AE72421 |
| A72422 | Alcohol Evaporator with Safety Valve | 40 oz. of Methyl Alcohol | 1/2" NPT | Both Sides | AE72422 |

Conventional Style



Aluminum Body / Steel Face



Cast Iron

Features:

- Aluminum Body/Steel Face and Cast Iron units available
- Steel face is zinc yellow dichromate and aluminum body is chromate conversion coated for corrosion resistance
- 11450, 11451, 11452, 11460, 11461, 11462 has internal filter installed to protect airline from contamination
- One piece cast iron

Specifications:

- 10024** Protect-O Seal
- 10028** Full Face Seal
- 10029** Compression Seal
- 10035** Filter
- D380310** Replacement Bracket for Cast Iron "Old Style"
- D380410** Replacement Bracket for Cast Iron "Old Style"

Notes:

- 1) Gladhand Accessories and Related Parts listed later in this section.

| SKU# | Product Description | Configuration | Seal Style | OEM # | Standard Pack |
|--------|--------------------------------------|---------------|------------|----------|---------------|
| 11450 | Aluminum Body / Steel Face Gladhands | Universal | 10028 | N20415MB | 25 |
| 11451 | Aluminum Body / Steel Face Gladhands | Emergency | 10028 | N20415NB | 10 |
| 11452 | Aluminum Body / Steel Face Gladhands | Service | 10028 | N20415PB | 10 |
| 11461 | Aluminum Body / Steel Face Gladhands | Emergency | 10028 | N20415NB | 5 |
| A77770 | Cast Iron Gladhands | Service | 10029 | - | 1 |
| A77771 | Cast Iron Gladhands | Emergency | 10029 | - | 1 |
| A86300 | Cast Iron Gladhands | Universal | 10029 | AD86300 | 1 |

Gladhands With Dust Covers



Features:

- Economical to lower fleet maintenance cost.
- Interchangeable with competitive gladhands.
- Designed for rugged off-highway applications.
- Manufactured to keep dirt, debris, bugs and other contaminants out of the air system.
- Color coded protective lids.

Notes:

1) Typical - 11490 Shown

| SKU# | Product Description | Configuration | Color Code | Ports | OEM Number |
|-------|------------------------------------|---------------|------------|----------|------------|
| 11489 | Emergency Gladhand with Dust Cover | Emergency | Red | 1/2" NPT | N20405KC |
| 11490 | Service Gladhand with Dust Cover | Service | Blue | 1/2" NPT | N20405JC |

Gladhand With Cable



Features:

- Use on rear of pups, seals system, keeps contaminants out.

| SKU# | Product Description | Notes | OEM Part Number |
|-------|---------------------|---|-----------------|
| 11400 | Gladhand with Cable | Universal (non-polarized) gladhand with reinforced cable attached to aluminum handle. | 10453110 |

Quick Release Gladhand



NIPPLE MOUNT



40° BRACKETED MOUNT

Features:

- Unique Patented Design with Built-In Quick Release Valve
- Heavy Duty Aluminum Body and Steel Face
- Zinc Yellow Dichromate Steel and Chromate Conversion Coated Aluminum
- Improves brake release timing by up to 67%

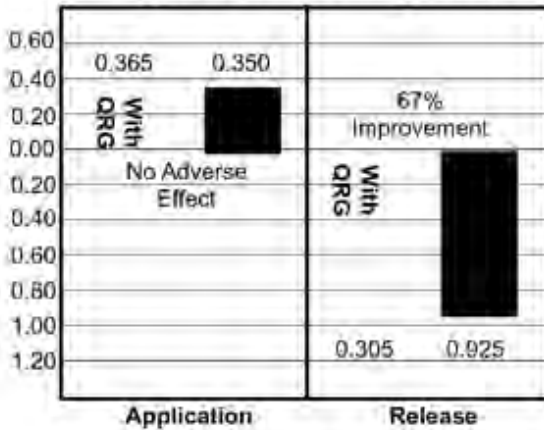
Specifications:

RN58A Repair Kit

Notes:

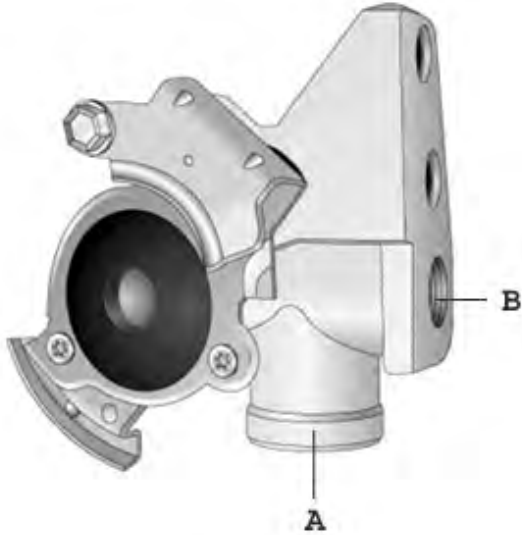
- 1) Replaces the Service Gladhand located on the nose of the trailer.
- 2) Gladhand Accessories and Related Parts listed later in this section.
- 3) The effectiveness of the QRG will vary between vehicle air systems and how well the systems are currently balanced.

Time (sec) **Typical Brake Timing Balance**



| SKU# | Product Description | Repair Kit | OEM Number |
|-------|--|------------|------------|
| 11483 | Nipple Mount QRG (Quick Release Gladhand) | RN58A | N20405EA |
| 11484 | 40° Bracketed Mount QRG (Quick Release Gladhand) | RN58A | N20405FA |

Bracket Mount Style



Features:

- Bracket mount eliminates the need for additional mounting panels – thus lowering cost.
- Heavy duty design stands out 4" from mounting surface.
- Available in either 3/8" and 1/2" dual port design.
- Polarized and color coded in emergency and service configurations for easy identification of airlines.
- Shipped both ports open and plugs loose for customer adaptation as needed.
- Emergency and service assemblies.
- Replacement seals and filters may be purchased separately.
-

Specifications:

- 10028** Full Face Seal
- 10029** Compression Seal
- 10035** Protect-O Seal
- D380310** Replacement Bracket
- D380410** Replacement Bracket

Notes:

- 1) Includes **10028** Dual Lip Seal, **10035** Filter and loose 3/8" or 1/2" plug.
- 2) Gladhand Accessories and Related Parts listed later in this section.

| SKU# | Product Description | Configuration | Ports A & B | Seal Style | OEM Number |
|-------|---|---------------|-------------|------------|----------------------------------|
| 11440 | Bracket Mount Style Hose Coupler (Gladhand) | Service | 3/8-18 | 10028 | N20405VD |
| 11441 | Bracket Mount Style Hose Coupler (Gladhand) | Emergency | 3/8-18 | 10028 | N20405TC N20405TB N20405TJ |
| 11444 | Bracket Mount Style Hose Coupler (Gladhand) | Service | 1/2-14 | 10028 | N20405VE |
| 11445 | Bracket Mount Style Hose Coupler (Gladhand) | Emergency | 1/2-14 | 10028 | N20405TA N20405TD N20405TL |

Flexible Mount Style



Features:

- Units shown without filter.
- 6" flexible hose installed to save maintenance time.
- Universal and polarized configuration available for fleet choice.
- Polarized units have the letter "E" or "S" diecast into the body of the gladhand for easy identification of emergency or service.

Specifications:

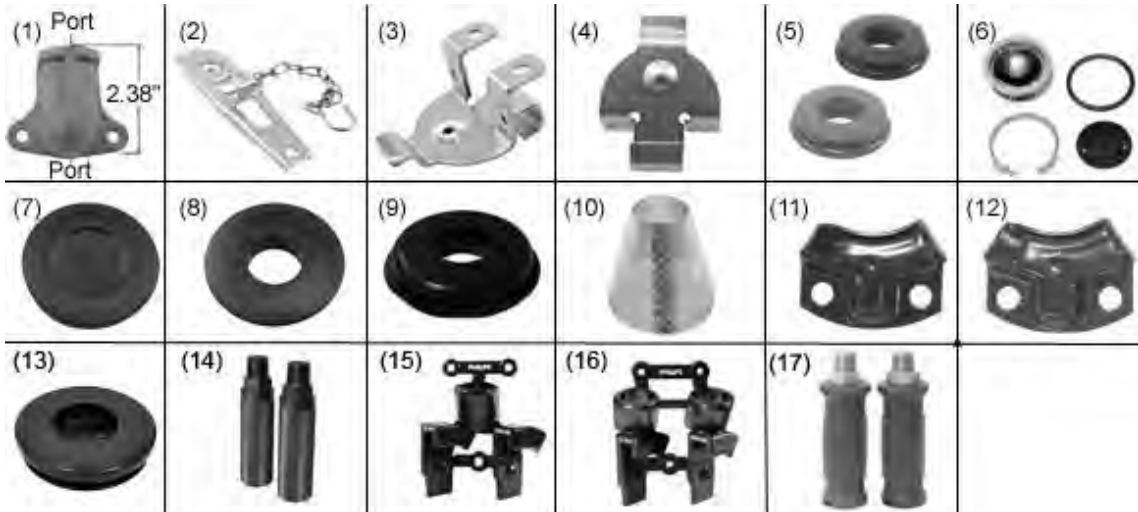
- 10028** Seal
- 10035** Filter
- D380310** Replacement Bracket
- D380410** Replacement Bracket

Notes:

- 1) Includes **10028** Double Lip Seal.
- 2) Gladhand Accessories and Related Parts listed later in this section.
- 3) Use Filter in Gladhands to keep airlines free of valve damaging contaminants.
- 4) 11432 (Service) Shown

| SKU# | Product Description | Inlet Ports | Material Composition | Configuration | Seal Style |
|-------|---|-----------------|----------------------|---------------|------------|
| 11430 | Universal Hose Coupler (Gladhands) Flexible Mount Style | 1/2" – 1/4" NPT | Aluminum/Steel | Universal | 10028 |
| 11431 | Polarized Hose Coupler (Gladhands) Flexible Mount Style | 1/2" – 1/4" NPT | Aluminum/Steel | Emergency | 10028 |
| 11432 | Polarized Hose Coupler (Gladhands) Flexible Mount Style | 1/2" – 1/4" NPT | Aluminum/Steel | Service | 10028 |

Gladhand Accessories and Related Parts



| SKU# | Product Description | Notes | OEM # | Pic. # |
|----------|--|--|----------|--------|
| 10024 | Gladhand Protect-0 Seal | For Conventional Style | 10440 | 7 |
| 10028 | Gladhand Full Face Seal | For Flexible, Bracket Mount and Conventional Style | 1509 | 8 |
| 10029 | Gladhand Compression Seal | For Bracket Mount and Conventional Style | 10405 | 9 |
| 10035 | Gladhand Filter | For Flexible, Bracket Mount and Conventional Style | 1048011 | 10 |
| 11312 | Gladhand Elbow - Aluminum | 2.16" Mounting Centers 3/8" x 3/8" Ports | 10358 | 1 |
| 11401 | Coupler with Chain | With Vent Hole Zinc and yellow dichromate bodies with chains attached. | N13048A | 2 |
| 11402 | Coupler with Chain | Without Vent Hole Zinc and yellow dichromate bodies with chains attached. | N13048 | 2 |
| 11403 | Hose Support Bracket | For Current Design Flexstiks | 10422 | 3 |
| 11404 | Hose Support Bracket | For Early Design Flexastiks | 1042201 | 4 |
| 11405 | Gladhand Grips | Pair (red & blue) | - | 17 |
| BE120167 | Gladhand Seal - Closed Type | - | - | 13 |
| BE12600 | Coiled Air Gladhand Extensions | Pair (red & blue) | - | 14 |
| BE15042 | Gladhand Holder | 2 Plug, 2 Gladhand Holder | - | 16 |
| D380310 | Old Style Conventional Gladhand Replacement Bracket - Service (Blue Service) | For Bracket, Flexible Mount and Conventional Style | 1048006B | 11 |
| DA9017B | Polyurethane Gladhand Seal, 1-1/4" Traditional Sealing Lip | Standard Pack 10 Blue Seals | - | 5 |
| DA9017R | Polyurethane Gladhand Seal, 1-1/4" Traditional Sealing Lip | Standard Pack 10 Red Seals | - | 5 |
| DA909005 | Polyurethane Gladhand Seals, 1-1/4" Traditional Sealing Lip, Red and Blue | Contains (2) Red and (2) Blue Seals | - | 5 |
| RN58A | Gladhands Repair Kit | For Quick Release Gladhands | - | 6 |

AirPower Line



Features:

- Service Air Line
- Emergency Air Line
- 7-Way Plug ABS Power Line (Green)
- Enclosed in heavy duty, beveled edge, spiral wrap

Notes:

- 1) Hanger Bracket Mounting Assembly (Part # 11615) included for easy suspension.
- 2) Red and Blue Grips for easy identification and gladhand connection.
- 3) Air lines have swivel fittings at tractor end for quick installation.
- 4) Power line is fully ABS compatible.

| SKU# | Product Description |
|-----------|--|
| 11615 | Hanger, Stainless Steel used with 3-in-One AirPower Lines |
| BE27107 | 3-in-One AirPower Line – 10 ft. |
| BE27127 | 3-in-One AirPower Line – 12 ft. |
| BE27127B | AirPower Line Hose Replacement – Blue 12 ft. |
| BE27127BR | AirPower Line Hose Replacement – (1) Red & (1) Blue 12 ft. |
| BE27127R | AirPower Line Hose Replacement – Red 12 ft. |
| BE27157 | 3-in-One AirPower Line – 15 ft. |
| BE27207 | 3-in-One AirPower Line – 20 ft. |

Nylon Tubing (Bulk)

Single Wall Non-Reinforced Nylon Tubing

Features:

- Temperature Range: -40° F to +200° F
- Maximum Working Pressure: 150 PSI
- Not made for fuel

Notes:

- 1) 1/8" tubing does not comply to FMVSS106 and should not be used in air brake systems.
- 2) 1/4" and larger tubing meets FMVSS106 Regulations.
- 3) 1/8" and 1/4" tubing is single wall, non-reinforced and conforms to Type 3A of SAE J844d Specifications.



| SKU# | Product Description | Tube O.D. | Color | Length | Wall Thickness | Min. Bend Radius | Min. Burst Pressure (psi@75° F) |
|----------|-----------------------------|-----------|--------|--------|----------------|------------------|---------------------------------|
| D1020401 | Non-Reinforced Nylon Tubing | 1/8" | Black | 100' | .023 | 3/8" | 1000 |
| D1020402 | Non-Reinforced Nylon Tubing | 1/8" | Blue | 100' | .023 | 3/8" | 1000 |
| D1020403 | Non-Reinforced Nylon Tubing | 1/8" | Red | 100' | .023 | 3/8" | 1000 |
| D1020404 | Non-Reinforced Nylon Tubing | 1/8" | Green | 100' | .023 | 3/8" | 1000 |
| D1040401 | Non-Reinforced Nylon Tubing | 1/4" | Black | 100' | .040 | 1" | 1200 |
| D1040402 | Non-Reinforced Nylon Tubing | 1/4" | Blue | 100' | .040 | 1" | 1200 |
| D1040403 | Non-Reinforced Nylon Tubing | 1/4" | Red | 100' | .040 | 1" | 1200 |
| D1040404 | Non-Reinforced Nylon Tubing | 1/4" | Green | 100' | .040 | 1" | 1200 |
| D1040405 | Non-Reinforced Nylon Tubing | 1/4" | Orange | 100' | .040 | 1" | 1200 |
| D1040406 | Non-Reinforced Nylon Tubing | 1/4" | Yellow | 100' | .040 | 1" | 1200 |
| D1040801 | Non-Reinforced Nylon Tubing | 1/4" | Black | 1000' | .040 | 1" | 1200 |

Nylon Tubing (Bulk)

Reinforced Nylon Tubing



Features:

- Temperature Range: -40° F to +200° F
- Maximum Working Pressure: 150 PSI
- Not made for fuel

Notes:

- 1) Meets Type B SAE J844 Specifications and FMVSS No. 106 Regulations

| SKU# | Product Description | Tube O.D. | Color | Length | Wall Thickness | Minimum Bend Radius | Min. Burst Pressure (psi@75° F) |
|----------|-------------------------|-----------|--------|--------|----------------|---------------------|---------------------------------|
| D1060401 | Reinforced Nylon Tubing | 3/8" | Black | 100' | .062 | 1-1/2" | 1400 |
| D1060402 | Reinforced Nylon Tubing | 3/8" | Blue | 100' | .062 | 1-1/2" | 1400 |
| D1060403 | Reinforced Nylon Tubing | 3/8" | Red | 100' | .062 | 1-1/2" | 1400 |
| D1060404 | Reinforced Nylon Tubing | 3/8" | Green | 100' | .062 | 1-1/2" | 1400 |
| D1060405 | Reinforced Nylon Tubing | 3/8" | Orange | 100' | .062 | 1-1/2" | 1400 |
| D1060406 | Reinforced Nylon Tubing | 3/8" | Yellow | 100' | .062 | 1-1/2" | 1400 |
| D1060601 | Reinforced Nylon Tubing | 3/8" | Black | 500' | .062 | 1-1/2" | 1400 |
| D1060602 | Reinforced Nylon Tubing | 3/8" | Blue | 500' | .062 | 1-1/2" | 1400 |
| D1060603 | Reinforced Nylon Tubing | 3/8" | Red | 500' | .062 | 1-1/2" | 1400 |
| D1080401 | Reinforced Nylon Tubing | 1/2" | Black | 100' | .062 | 2" | 950 |
| D1080402 | Reinforced Nylon Tubing | 1/2" | Blue | 100' | .062 | 2" | 950 |
| D1080403 | Reinforced Nylon Tubing | 1/2" | Red | 100' | .062 | 2" | 950 |
| D1080404 | Reinforced Nylon Tubing | 1/2" | Green | 100' | .062 | 2" | 950 |
| D1080405 | Reinforced Nylon Tubing | 1/2" | Orange | 100' | .062 | 2" | 950 |
| D1080406 | Reinforced Nylon Tubing | 1/2" | Yellow | 100' | .062 | 2" | 950 |
| D1080601 | Reinforced Nylon Tubing | 1/2" | Black | 500' | .062 | 2" | 950 |
| D1080603 | Reinforced Nylon Tubing | 1/2" | Red | 500' | .062 | 2" | 950 |
| D1100201 | Reinforced Nylon Tubing | 5/8" | Black | 50' | .092 | 2-1/2" | 900 |
| D1120201 | Reinforced Nylon Tubing | 3/4" | Black | 50' | .092 | 3" | 800 |

Polyethylene Tubing



Features:

- Used to vapor proof wiring on Trucks and Trailers
- Sunlight resistant black

Specifications:

Package 100' per box
Applications Air, water, most acids and alkalies
Temperature Range -40° F to 160° F
Working Pressure Rated at maximum 75 psi

Notes:

- 1) If intended to cover copper tubing order one size larger than tubing diameter.
- 2) Accepts standard brass fittings of the type used on copper tubing, without requiring the use of an insert to support the wall.
- 3) Barb type nylon fittings may also be used.

| SKU# | Product Description | Inside Diameter | Outside Diameter |
|-------|-----------------------------------|-----------------|------------------|
| 11041 | Polyethylene Tubing (low density) | 3/16" | 5/16" |
| 11042 | Polyethylene Tubing (low density) | 1/4" | 3/8" |
| 11044 | Polyethylene Tubing (low density) | 3/8" | 1/2" |
| 11046 | Polyethylene Tubing (low density) | 1/2" | 5/8" |

Coiled Air Hose Assemblies

Aircoils – Basic



Features:

- Coiled, 1/2" O.D., reinforced, nylon tubing
- Excellent coil memory and durability
- Color-coded (red – emergency / blue – service); Meets DOT FMVSS 106 – (49 CFR 571, 106 & 49 CFR 393.45)
- Designed for 150 psi operating systems
- Resistant to attack by gasoline, diesel fuel, methyl-alcohol and zinc chloride
- Male pipe – brass fittings
- Heavy duty plated spring guards

Specifications:

Temperature Range -40° F to +199° F

| SKU# | Product Description | Pigtail Tractor-End | Pigtail Trailer-End | Fitting (Thread) Tractor-End | Fitting (Thread) Trailer-End |
|-------|----------------------------------|---------------------|---------------------|------------------------------|------------------------------|
| 11950 | 12' Aircoil Set (1 Red & 1 Blue) | 6" | 6" | 1/2" | 1/2" |
| 11952 | 15' Aircoil Set (1 Red & 1 Blue) | 12" | 12" | 1/2" | 1/2" |
| 11953 | 15' Aircoil Set (1 Red & 1 Blue) | 12" | 12" | 3/8" | 1/2" |
| 11954 | 15' Aircoil Set (1 Red & 1 Blue) | 48" | 12" | 1/2" | 1/2" |
| 11955 | 15' Aircoil Set (1 Red & 1 Blue) | 48" | 12" | 3/8" | 1/2" |
| 11956 | 20' Aircoil Set (1 Red & 1 Blue) | 48" | 12" | 1/2" | 1/2" |
| 11960 | 12' Red Aircoil | 6" | 6" | 1/2" | 1/2" |
| 11961 | 12' Blue Aircoil | 6" | 6" | 1/2" | 1/2" |
| 11964 | 15' Red Aircoil | 12" | 12" | 1/2" | 1/2" |
| 11965 | 15' Blue Aircoil | 12" | 12" | 1/2" | 1/2" |
| 11966 | 15' Red Aircoil | 12" | 12" | 3/8" | 1/2" |
| 11967 | 15' Blue Aircoil | 12" | 12" | 3/8" | 1/2" |
| 11968 | 15' Red Aircoil | 48" | 12" | 1/2" | 1/2" |
| 11969 | 15' Blue Aircoil | 48" | 12" | 1/2" | 1/2" |
| 11970 | 15' Red Aircoil | 48" | 12" | 3/8" | 1/2" |
| 11971 | 15' Blue Aircoil | 48" | 12" | 3/8" | 1/2" |
| 11972 | 20' Red Aircoil | 48" | 12" | 1/2" | 1/2" |
| 11973 | 20' Blue Aircoil | 48" | 12" | 1/2" | 1/2" |

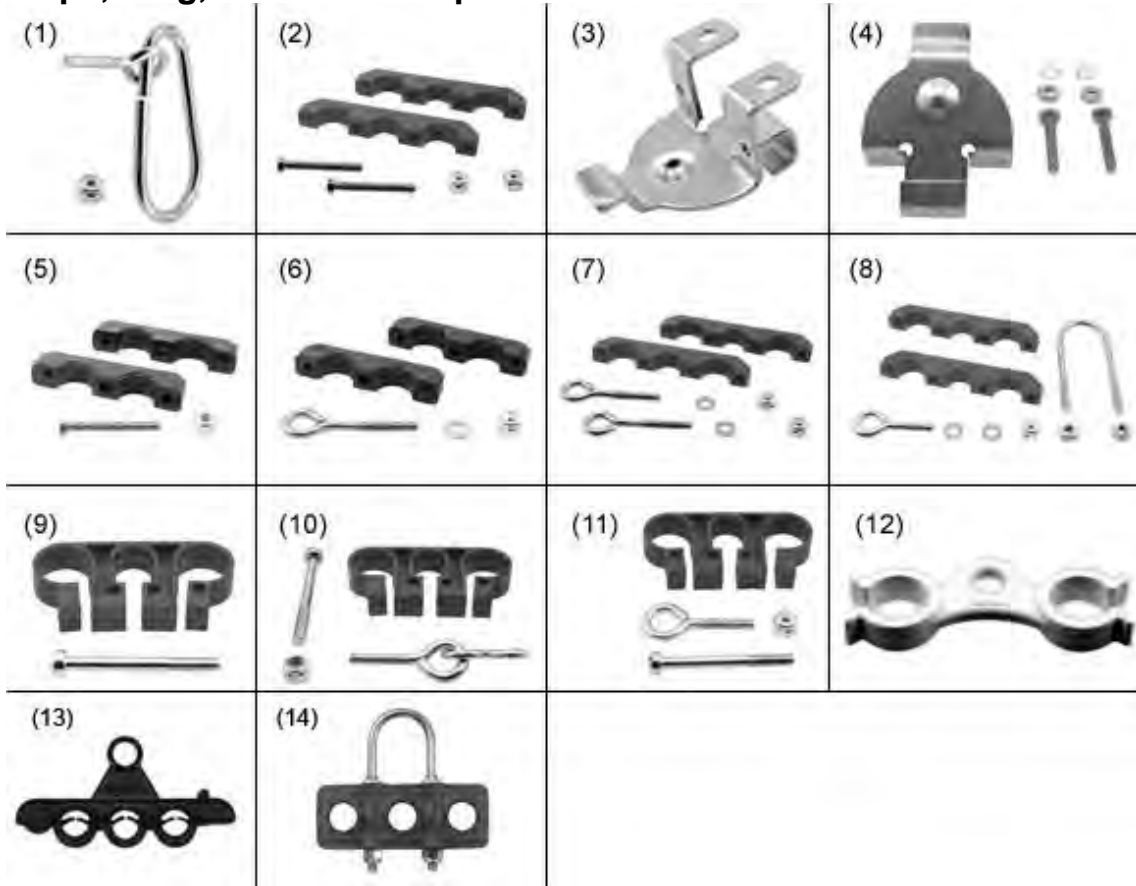
Coiled Air Hose Assemblies

Cab Blower Kit



| SKU# | Product Description | Coil | Coil Diameter | Tee Fitting | Notes |
|---------|---------------------|------------------------|---------------|-------------|--------------------|
| DQ91304 | Air Cab Blower Kit | 72" with Spring Guards | 1/4" | 1/4" | Mounts under seat. |

Clamps, Ring, Brackets & Separators



| SKU# | Product Description | Application/Notes | OEM # | Picture # |
|---------|-----------------------|---|---------|-----------|
| 11403 | Hose Support Bracket | For Current Design Flexstiks | 10422 | 3 |
| 11404 | Hose Support Bracket | For Early Design Flexstiks | 1042201 | 4 |
| 11540 | Two Hole Hose Clamp | 3/8" I.D. Hose | 1507 | 5 |
| 11541 | Two Hole Hose Clamp | 3/8" I.D. Hose Rubberized for use with coiled nylon hose. | 1507A | 6 |
| 11542 | Three Hole Hose Clamp | 3/8" I.D. Hose | 1508 | 2 |
| 11543 | Three Hole Hose Clamp | 3/8" I.D. Hose | 1508A | 7 |
| 11544 | Three Hole Hose Clamp | 3/8" I.D. Hose Rubberized for use with coiled nylon hose. | 275015 | 8 |
| 11545 | Hose Clamp | 3/8" & 1/2" I.D. Hose | 1521 | 9 |
| 11546 | Hose Clamp | 3/8" & 1/2" I.D. Hose | 1522 | 10 |
| 11547 | Hose Clamp | 3/8" & 1/2" I.D. Hose | 1523 | 11 |
| 11548 | Hose Separator | For 3/8" I.D. Hose Molded white (EGC) Engineering Grade Composite. | 100469 | 12 |
| 11549 | Hose Separator | For 1/2" I.D. Hose Molded white (EGC) Engineering Grade Composite. | 100469D | 12 |
| 11611 | Hose Ring Assembly | 3/8" & 1/2" I.D. Hose | 276015 | 1 |
| BE17153 | 3 Ring Hose Holder | - | - | 13 |

Bulk Rubber Air Hose



Features:

- UV and ozone resistant
- Uniform dual-braided design consists of interwoven spirals
- Layers of the hose wall are fully bonded to enhance kink resistance
- Meets or exceeds SAE J1402 – Type A
- Meets or exceeds DOT FMVSS No. 106 – Brake Hoses, 49 CFR 571.106

Specifications:

Working Pressure up to 225 psi
Minimum Burst Pressure 900 psi

Notes:

- 1) The hose cover may be perforated in some sizes to allow moisture to escape from the reinforcement layer.
- 2) Designed to provide flexible air-connection from frame to axle or between tractor and trailer where exposed to flexing, pulling or impact.

| SKU# | Product Description | Nominal I.D. | Nominal O.D. | Minimum Bend Radius (psi) | Length | Package Quantity |
|-------|---------------------------------|--------------|--------------|---------------------------|------------|------------------|
| 11000 | 3/8 Inch Rubber Air Hose – Bulk | 3/8" | 3/4" | 3-1/2" | 50' Carton | 5 |
| 11001 | 3/8 Inch Rubber Air Hose – Bulk | 3/8" | 3/4" | 3-1/2" | 250' Spool | 1 |
| 11002 | 1/2 Inch Rubber Air Hose – Bulk | 1/2" | 7/8" | 4" | 50' Carton | 5 |
| 11004 | 1/2 Inch Rubber Air Hose – Bulk | 1/2" | 7/8" | 4" | 250' Spool | 1 |

Nose Box – 3/8" I.D. Hose Assemblies



26005



26007

| SKU# | Product Description | Style | Hose | Ends | Length |
|-------|------------------------|-----------|-----------|-----------------------------|--------|
| 26005 | Nose Box Hose Assembly | Interline | 3/8" I.D. | 1/2" NPTF | 6" |
| 26007 | Nose Box Hose Assembly | Fleetline | 3/8" I.D. | 1/2" NPTF to 1/2"-14 Female | 6" |

3/8" I.D. Air Hose Assemblies

3/8" I.D. Air Hose Assemblies with 1/4" One Fixed-One Swivel Ends



Features:

- Dual-braided
- Meets or exceeds SAE J1402 – Type A
- Meets or exceeds DOT FMVSS No. 106 – Brake Hoses, 49 CFR 571.106

Specifications:

Ends One Fixed – One Swivel
Primary Use Front of Tractor
N12306 1/4" Adapter
200997B Hose Rack

Notes:

- 1) Replacement Parts listed later in this section.

| SKU# | Product Description | Overall Length |
|-------|---|----------------|
| 16014 | 3/8" I.D. Air Hose Assembly with 1/4" One Fixed-One Swivel Ends | 14" |
| 16016 | 3/8" I.D. Air Hose Assembly with 1/4" One Fixed-One Swivel Ends | 16" |
| 16018 | 3/8" I.D. Air Hose Assembly with 1/4" One Fixed-One Swivel Ends | 18" |
| 16020 | 3/8" I.D. Air Hose Assembly with 1/4" One Fixed-One Swivel Ends | 20" |
| 16022 | 3/8" I.D. Air Hose Assembly with 1/4" One Fixed-One Swivel Ends | 22" |
| 16024 | 3/8" I.D. Air Hose Assembly with 1/4" One Fixed-One Swivel Ends | 24" |
| 16026 | 3/8" I.D. Air Hose Assembly with 1/4" One Fixed-One Swivel Ends | 26" |
| 16028 | 3/8" I.D. Air Hose Assembly with 1/4" One Fixed-One Swivel Ends | 28" |
| 16030 | 3/8" I.D. Air Hose Assembly with 1/4" One Fixed-One Swivel Ends | 30" |
| 16032 | 3/8" I.D. Air Hose Assembly with 1/4" One Fixed-One Swivel Ends | 32" |
| 16034 | 3/8" I.D. Air Hose Assembly with 1/4" One Fixed-One Swivel Ends | 34" |
| 16036 | 3/8" I.D. Air Hose Assembly with 1/4" One Fixed-One Swivel Ends | 36" |
| 16038 | 3/8" I.D. Air Hose Assembly with 1/4" One Fixed-One Swivel Ends | 38" |
| 16040 | 3/8" I.D. Air Hose Assembly with 1/4" One Fixed-One Swivel Ends | 40" |
| 16042 | 3/8" I.D. Air Hose Assembly with 1/4" One Fixed-One Swivel Ends | 42" |
| 16044 | 3/8" I.D. Air Hose Assembly with 1/4" One Fixed-One Swivel Ends | 44" |
| 16048 | 3/8" I.D. Air Hose Assembly with 1/4" One Fixed-One Swivel Ends | 48" |
| 16054 | 3/8" I.D. Air Hose Assembly with 1/4" One Fixed-One Swivel Ends | 54" |
| 16060 | 3/8" I.D. Air Hose Assembly with 1/4" One Fixed-One Swivel Ends | 60" |
| 16072 | 3/8" I.D. Air Hose Assembly with 1/4" One Fixed-One Swivel Ends | 72" |

3/8" I.D. Air Hose Assemblies

3/8" I.D. Air Hose Assemblies with 3/8" One Fixed-One Swivel Ends



Features:

- Dual-braided
- Meets or exceeds SAE J1402 - Type A
- Meets or exceeds DOT FMVSS No. 106 - Brake Hoses, 49 CFR 571.106

Specifications:

Ends One Fixed - One Swivel
Primary Use Tractors
N12306G 3/8" Adapter
200997B Hose Rack

Notes:

- 1) Replacement Parts listed later in this section.

| SKU# | Product Description | Overall Length |
|-------|---|----------------|
| 16618 | 3/8" I.D. Air Hose Assembly with 3/8" One Fixed-One Swivel Ends | 18" |
| 16620 | 3/8" I.D. Air Hose Assembly with 3/8" One Fixed-One Swivel Ends | 20" |
| 16622 | 3/8" I.D. Air Hose Assembly with 3/8" One Fixed-One Swivel Ends | 22" |
| 16624 | 3/8" I.D. Air Hose Assembly with 3/8" One Fixed-One Swivel Ends | 24" |
| 16626 | 3/8" I.D. Air Hose Assembly with 3/8" One Fixed-One Swivel Ends | 26" |
| 16628 | 3/8" I.D. Air Hose Assembly with 3/8" One Fixed-One Swivel Ends | 28" |
| 16630 | 3/8" I.D. Air Hose Assembly with 3/8" One Fixed-One Swivel Ends | 30" |
| 16632 | 3/8" I.D. Air Hose Assembly with 3/8" One Fixed-One Swivel Ends | 32" |
| 16634 | 3/8" I.D. Air Hose Assembly with 3/8" One Fixed-One Swivel Ends | 34" |
| 16636 | 3/8" I.D. Air Hose Assembly with 3/8" One Fixed-One Swivel Ends | 36" |
| 16638 | 3/8" I.D. Air Hose Assembly with 3/8" One Fixed-One Swivel Ends | 38" |
| 16640 | 3/8" I.D. Air Hose Assembly with 3/8" One Fixed-One Swivel Ends | 40" |
| 16642 | 3/8" I.D. Air Hose Assembly with 3/8" One Fixed-One Swivel Ends | 42" |
| 16644 | 3/8" I.D. Air Hose Assembly with 3/8" One Fixed-One Swivel Ends | 44" |
| 16646 | 3/8" I.D. Air Hose Assembly with 3/8" One Fixed-One Swivel Ends | 46" |
| 16648 | 3/8" I.D. Air Hose Assembly with 3/8" One Fixed-One Swivel Ends | 48" |
| 16654 | 3/8" I.D. Air Hose Assembly with 3/8" One Fixed-One Swivel Ends | 54" |
| 16660 | 3/8" I.D. Air Hose Assembly with 3/8" One Fixed-One Swivel Ends | 60" |
| 16672 | 3/8" I.D. Air Hose Assembly with 3/8" One Fixed-One Swivel Ends | 72" |

3/8" I.D. Air Hose Assemblies

3/8" I.D. Air Hose Assemblies with 3/8" Swivel Ends

Features:

- Dual-braided
- Meets or exceeds SAE J1402 – Type A
- Meets or exceeds DOT FMVSS No. 106 – Brake Hoses, 49 CFR 571.106

Specifications:

| | |
|----------------|--------------|
| Ends | Both Swivel |
| N12306G | 3/8" Adapter |
| 200997B | Hose Rack |

Notes:

- 1) For hard to get to places like dumpsters.
- 2) Replacement Parts listed later in this section.



| SKU# | Product Description | Overall Length |
|-------|---|----------------|
| 16418 | 3/8" I.D. Air Hose Assemblies with 3/8" Swivel Ends | 18" |
| 16420 | 3/8" I.D. Air Hose Assemblies with 3/8" Swivel Ends | 20" |
| 16424 | 3/8" I.D. Air Hose Assemblies with 3/8" Swivel Ends | 24" |
| 16428 | 3/8" I.D. Air Hose Assemblies with 3/8" Swivel Ends | 28" |
| 16430 | 3/8" I.D. Air Hose Assemblies with 3/8" Swivel Ends | 30" |
| 16436 | 3/8" I.D. Air Hose Assemblies with 3/8" Swivel Ends | 36" |
| 16442 | 3/8" I.D. Air Hose Assemblies with 3/8" Swivel Ends | 42" |
| 16448 | 3/8" I.D. Air Hose Assemblies with 3/8" Swivel Ends | 48" |
| 16460 | 3/8" I.D. Air Hose Assemblies with 3/8" Swivel Ends | 60" |

1/2" I.D. Air Hose Assemblies

1/2" I.D. Air Hose Assemblies with 3/8" Swivel Ends



Features:

- Dual-braided
- Meets or exceeds SAE J1402 – Type A
- Meets or exceeds DOT FMVSS No. 106 – Brake Hoses, 49 CFR 571.106

Specifications:

| | |
|--------------------|--------------|
| Ends | Both Swivel |
| Primary Use | Trailers |
| 200997B | Hose Rack |
| N12306 | 1/4" Adapter |
| N12306G | 3/8" Adapter |
| N12306BM | 1/2" Adapter |

Notes:

- 1) Replacement Parts listed later in this section.

| SKU# | Product Description | Overall Length |
|-------|--|----------------|
| 16718 | 1/2" Air Hose Assembly with 3/8" Swivel Ends | 18" |
| 16720 | 1/2" Air Hose Assembly with 3/8" Swivel Ends | 20" |
| 16722 | 1/2" Air Hose Assembly with 3/8" Swivel Ends | 22" |
| 16724 | 1/2" Air Hose Assembly with 3/8" Swivel Ends | 24" |
| 16726 | 1/2" Air Hose Assembly with 3/8" Swivel Ends | 26" |
| 16728 | 1/2" Air Hose Assembly with 3/8" Swivel Ends | 28" |
| 16730 | 1/2" Air Hose Assembly with 3/8" Swivel Ends | 30" |
| 16732 | 1/2" Air Hose Assembly with 3/8" Swivel Ends | 32" |
| 16734 | 1/2" Air Hose Assembly with 3/8" Swivel Ends | 34" |
| 16736 | 1/2" Air Hose Assembly with 3/8" Swivel Ends | 36" |
| 16738 | 1/2" Air Hose Assembly with 3/8" Swivel Ends | 38" |
| 16740 | 1/2" Air Hose Assembly with 3/8" Swivel Ends | 40" |
| 16748 | 1/2" Air Hose Assembly with 3/8" Swivel Ends | 48" |
| 16756 | 1/2" Air Hose Assembly with 3/8" Swivel Ends | 56" |
| 16772 | 1/2" Air Hose Assembly with 3/8" Swivel Ends | 72" |

1/2" I.D. Air Hose Assemblies

1/2" I.D. Air Hose Assemblies with 3/8" One Fixed-One Swivel Ends



Features:

- Dual-braided
- Meets or exceeds SAE J1402 – Type A
- Meets or exceeds DOT FMVSS No. 106 – Brake Hoses, 49 CFR 571.106

Specifications:

| | |
|--------------------|------------------------|
| Ends | One Fixed – One Swivel |
| Primary Use | Front of Tractor |
| 200997B | Hose Rack |
| N12306 | 1/4" Adapter |
| N12306G | 3/8" Adapter |
| N12306BM | 1/2" Adapter |

Notes:

- 1) Replacement Parts listed later in this section.

| SKU# | Product Description | Overall Length |
|---------|---|---|
| 16316 | 1/2" I.D. Air Hose Assembly with 3/8" One Fixed-One Swivel Ends | 16" |
| 16318 | 1/2" I.D. Air Hose Assembly with 3/8" One Fixed-One Swivel Ends | 18" |
| 16320 | 1/2" I.D. Air Hose Assembly with 3/8" One Fixed-One Swivel Ends | 20" |
| 16322 | 1/2" I.D. Air Hose Assembly with 3/8" One Fixed-One Swivel Ends | 22" |
| 16324 | 1/2" I.D. Air Hose Assembly with 3/8" One Fixed-One Swivel Ends | 24" |
| 16326 | 1/2" I.D. Air Hose Assembly with 3/8" One Fixed-One Swivel Ends | 26" |
| 16328 | 1/2" I.D. Air Hose Assembly with 3/8" One Fixed-One Swivel Ends | 28" |
| 16330 | 1/2" I.D. Air Hose Assembly with 3/8" One Fixed-One Swivel Ends | 30" |
| 16332 | 1/2" I.D. Air Hose Assembly with 3/8" One Fixed-One Swivel Ends | 32" |
| 16334 | 1/2" I.D. Air Hose Assembly with 3/8" One Fixed-One Swivel Ends | 34" |
| 16336 | 1/2" I.D. Air Hose Assembly with 3/8" One Fixed-One Swivel Ends | 36" |
| 16338 | 1/2" I.D. Air Hose Assembly with 3/8" One Fixed-One Swivel Ends | 38" |
| 16340 | 1/2" I.D. Air Hose Assembly with 3/8" One Fixed-One Swivel Ends | 40" |
| 16342 | 1/2" I.D. Air Hose Assembly with 3/8" One Fixed-One Swivel Ends | 42" |
| 16344 | 1/2" I.D. Air Hose Assembly with 3/8" One Fixed-One Swivel Ends | 44" |
| 16346 | 1/2" I.D. Air Hose Assembly with 3/8" One Fixed-One Swivel Ends | 46" |
| 16348 | 1/2" I.D. Air Hose Assembly with 3/8" One Fixed-One Swivel Ends | 48" |
| 16352 | 1/2" I.D. Air Hose Assembly with 3/8" One Fixed-One Swivel Ends | 52" |
| 16354 | 1/2" I.D. Air Hose Assembly with 3/8" One Fixed-One Swivel Ends | 54" |
| 16356 | 1/2" I.D. Air Hose Assembly with 3/8" One Fixed-One Swivel Ends | 56" |
| 16360 | 1/2" I.D. Air Hose Assembly with 3/8" One Fixed-One Swivel Ends | 60" |
| 16372 | 1/2" I.D. Air Hose Assembly with 3/8" One Fixed-One Swivel Ends | 72" |
| DQ16002 | 1/2" I.D. Air Hose Assembly Kit with 3/8" One Fixed-One Swivel Ends – Rack Included | Contains 2 each of the following lengths: 22, 24, 28, 30, 32 and 36 inch |

1/2" I.D. Air Hose Assemblies

1/2" I.D. Air Hose Assemblies with One 1/2" Fixed and One 3/8" Swivel End



Features:

- Dual-braided
- Meets or exceeds SAE J1402 – Type A
- Meets or exceeds DOT FMVSS No. 106 – Brake Hoses, 49 CFR 571.106

Specifications:

| | |
|-----------------|------------------------|
| Ends | One Fixed – One Swivel |
| 200997B | Hose Rack |
| N12306 | 1/4" Adapter |
| N12306G | 3/8" Adapter |
| N12306BM | 1/2" Adapter |

Notes:

- 1) Replacement Parts listed later in this section.

| SKU# | Product Description | Overall Length |
|-------|---|----------------|
| 16820 | 1/2" I.D. Air Hose Assembly with One 1/2" Fixed and One 3/8" Swivel End | 20" |
| 16824 | 1/2" I.D. Air Hose Assembly with One 1/2" Fixed and One 3/8" Swivel End | 24" |
| 16830 | 1/2" I.D. Air Hose Assembly with One 1/2" Fixed and One 3/8" Swivel End | 30" |
| 16836 | 1/2" I.D. Air Hose Assembly with One 1/2" Fixed and One 3/8" Swivel End | 36" |
| 16848 | 1/2" I.D. Air Hose Assembly with One 1/2" Fixed and One 3/8" Swivel End | 48" |
| 16860 | 1/2" I.D. Air Hose Assembly with One 1/2" Fixed and One 3/8" Swivel End | 60" |
| 16872 | 1/2" I.D. Air Hose Assembly with One 1/2" Fixed and One 3/8" Swivel End | 72" |

1/4" I.D. Air Hose Assemblies

Features:

- Dual-braided
- Meets or exceeds SAE J1402 – Type A
- Meets or exceeds DOT FMVSS No. 106 – Brake Hoses, 49 CFR 571.106

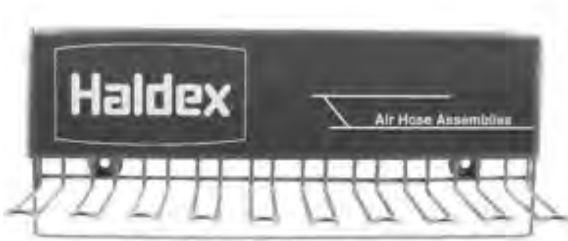
Specifications:

Ends Both Swivel



| SKU# | Product Description | Overall Length |
|-----------|---|----------------|
| 62X1518B0 | 1/4" I.D. Air Hose Assembly with 1/8" Swivel Ends | 18" |
| 62X1524B0 | 1/4" I.D. Air Hose Assembly with 1/8" Swivel Ends | 24" |
| 62X1530B0 | 1/4" I.D. Air Hose Assembly with 1/8" Swivel Ends | 30" |
| 62X1536B0 | 1/4" I.D. Air Hose Assembly with 1/8" Swivel Ends | 36" |

Hose Rack



| SKU# | Product Description | Notes |
|---------|-----------------------------------|------------------------------|
| 200997B | Hose Rack for Air Hose Assemblies | Holds 36 Air Hose Assemblies |

Compressor Discharge Hose Assembly



Features:

- Teflon inner tube
- Durable stainless steel outer braid
- Maximum working pressure of 1000 psi
- Withstands temperatures from -65°F to 450°F

Specifications:

Diameter 1/2" I.D.
Air Brake Body 5/8" Straight Tube x 5/8" Compression

Notes:

- 1) For easy changeover from a Bendix side mount discharge to a top discharge Haldex compressor.
- 2) KN17502 Shown

| SKU# | Product Description | Length |
|---------|---------------------------|--------|
| KN17500 | Compressor Discharge Hose | 18" |
| KN17501 | Compressor Discharge Hose | 24" |
| KN17502 | Compressor Discharge Hose | 36" |
| KN17503 | Compressor Discharge Hose | 48" |
| KN17504 | Compressor Discharge Hose | 60" |

Test Fitting



| SKU# | Product Description | Thread |
|--------------|---------------------|-----------------|
| A03279007000 | Test Point Fitting | M22 x 1.5, Male |

Adapters for Hose Assemblies



N12306



N12306AG



N12306AH



N12306BM



N12306G

| SKU# | Product Description | Threads |
|----------|---|-------------|
| N12306 | Air Hose Adapter if Female Swivel Thread Size is 3/8" | 1/4"-18 NPT |
| N12306AG | Air Hose Adapter if Female Swivel Thread Size is 1/2" | 3/8"-18 NPT |
| N12306AH | Air Hose Adapter if Female Swivel Thread Size is 1/2" | 1/2"-14 NPT |
| N12306BM | Air Hose Adapter if Female Swivel Thread Size is 3/8" | 1/2"-14 NPT |
| N12306G | Air Hose Adapter if Female Swivel Thread Size is 3/8" | 3/8"-18 NPT |

Branch and Run Tees



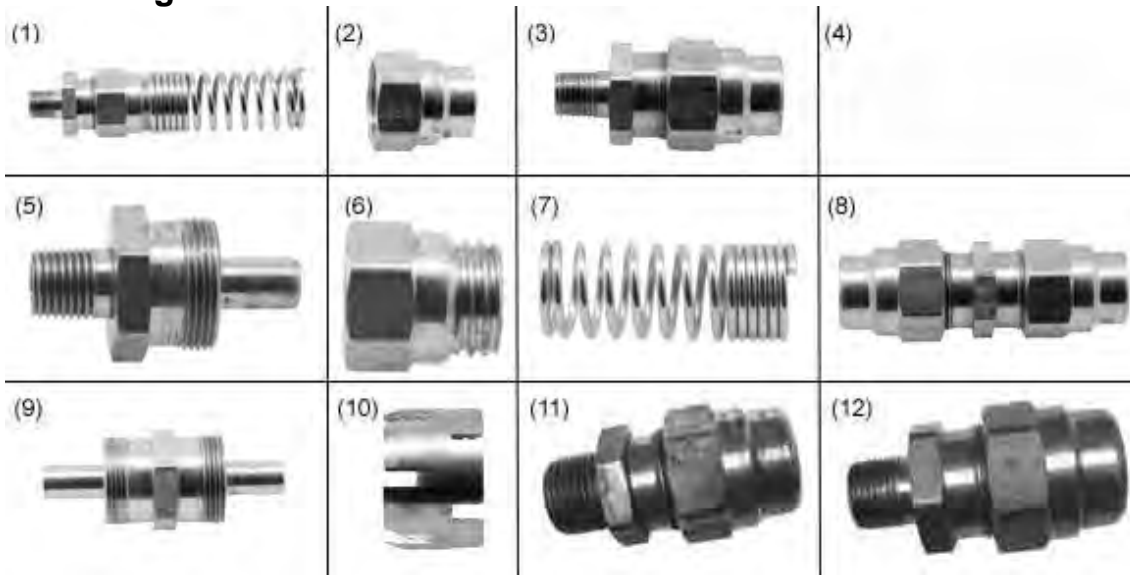
RUN TEE



BRANCH TEE

| SKU# | Product Description | Tube Size | Pipe Thread Size |
|-------|---------------------------------|-----------|------------------|
| 11271 | Run Tee Nylon Tubing Fitting | 1/4" O.D. | 1/8" NPT |
| 11273 | Run Tee Nylon Tubing Fitting | 3/8" O.D. | 1/4" NPT |
| 11274 | Run Tee Nylon Tubing Fitting | 3/8" O.D. | 3/8" NPT |
| 11279 | Branch Tee Nylon Tubing Fitting | 1/4" O.D. | 1/4" NPT |
| 11281 | Branch Tee Nylon Tubing Fitting | 3/8" O.D. | 1/4" NPT |
| 11282 | Branch Tee Nylon Tubing Fitting | 3/8" O.D. | 3/8" NPT |
| 11283 | Branch Tee Nylon Tubing Fitting | 1/2" O.D. | 3/8" NPT |
| 11284 | Branch Tee Nylon Tubing Fitting | 1/2" O.D. | 1/2" NPT |
| 11285 | Branch Tee Nylon Tubing Fitting | 5/8" O.D. | 1/2" NPT |

Hose Fittings



| SKU# | Product Description | Notes | Pic. # |
|--------|---|--|--------|
| 11900 | Hose Fitting Assembly with Spring Guard - 1/4" NPT | For use on 3/8" I.D. Hose Assembly | 1 |
| 11901 | Hose Fitting Assembly with Spring Guard - 3/8" NPT | For use on 3/8" I.D. Hose Assembly | 1 |
| 11902 | Hose Fitting Assembly with Spring Guard - 1/2" NPT | For use on 3/8" I.D. Hose Assembly | 1 |
| 11903 | Hose Fitting Assembly without Spring Guard - 1/4" NPT | For use on 3/8" I.D. Hose Assembly | 3 |
| 11904 | Hose Fitting Assembly without Spring Guard - 3/8" NPT | For use on 3/8" I.D. Hose Assembly | 3 |
| 11905 | Hose Fitting Assembly without Spring Guard - 1/2" NPT | For use on 3/8" I.D. Hose Assembly | 3 |
| 11906 | Hose Union/End Fitting Nut | For fitting without spring. For use on 3/8" I.D. Hose Assembly | 2 |
| 11907 | Hose End Fitting Body - 1/4" NPT | For use on 3/8" I.D. Hose Assembly | 5 |
| 11908 | Hose End Fitting Body - 3/8" NPT | For use on 3/8" I.D. Hose Assembly | 5 |
| 11909 | Hose End Fitting Body - 1/2" NPT | For use on 3/8" I.D. Hose Assembly | 5 |
| 11910 | Hose End Fitting Nut | For fitting with spring For use on 3/8" I.D. Hose Assembly | 6 |
| 11911 | Hose End Fitting Spring | For use on 3/8" I.D. Hose Assembly | 7 |
| 11912 | Hose Union/End Fitting Ferrule | For use on 3/8" I.D. Hose Assembly | 10 |
| 11913 | Hose Union Fitting Mender | For use on 3/8" I.D. Hose Assembly | 8 |
| 11914 | Hose Union Fitting Mender Body | For use on 3/8" I.D. Hose Assembly | 9 |
| A86129 | Hose Fitting Assembly with Spring Guard - 3/8" NPT | For use on 1/2" I.D. Air Hose | 1 |
| A86621 | Hose Fitting Assembly without Spring Guard - 1/2" NPT | Not Threaded for Spring For use on 1/2" I.D. Air Hose | 11 |
| A86623 | Hose Fitting Assembly without Spring Guard - 3/8" NPT | 3/8" NPT Not Threaded for Spring For use on 1/2" I.D. Air Hose | 12 |

Male Connectors and Elbows



MALE ELBOW



MALE CONNECTOR

| SKU# | Product Description | Tube Size | Pipe Thread Size |
|-------|-------------------------------------|-----------|------------------|
| 11228 | Male Connector Nylon Tubing Fitting | 1/4" O.D. | 1/8" NPT |
| 11229 | Male Connector Nylon Tubing Fitting | 1/4" O.D. | 1/4" NPT |
| 11231 | Male Connector Nylon Tubing Fitting | 3/8" O.D. | 1/8" NPT |
| 11232 | Male Connector Nylon Tubing Fitting | 3/8" O.D. | 1/4" NPT |
| 11233 | Male Connector Nylon Tubing Fitting | 3/8" O.D. | 3/8" NPT |
| 11235 | Male Connector Nylon Tubing Fitting | 1/2" O.D. | 3/8" NPT |
| 11236 | Male Connector Nylon Tubing Fitting | 1/2" O.D. | 1/2" NPT |
| 11238 | Male Connector Nylon Tubing Fitting | 5/8" O.D. | 1/2" NPT |
| 11258 | 90° Male Elbow Nylon Tubing Fitting | 1/4" O.D. | 1/8" NPT |
| 11259 | 90° Male Elbow Nylon Tubing Fitting | 1/4" O.D. | 1/4" NPT |
| 11261 | 90° Male Elbow Nylon Tubing Fitting | 3/8" O.D. | 1/8" NPT |
| 11262 | 90° Male Elbow Nylon Tubing Fitting | 3/8" O.D. | 1/4" NPT |
| 11263 | 90° Male Elbow Nylon Tubing Fitting | 3/8" O.D. | 3/8" NPT |
| 11264 | 90° Male Elbow Nylon Tubing Fitting | 3/8" O.D. | 1/2" NPT |
| 11266 | 90° Male Elbow Nylon Tubing Fitting | 1/2" O.D. | 1/2" NPT |
| 11267 | 90° Male Elbow Nylon Tubing Fitting | 5/8" O.D. | 3/8" NPT |
| 11268 | 90° Male Elbow Nylon Tubing Fitting | 5/8" O.D. | 1/2" NPT |
| 11292 | 90° Male Elbow Nylon Tubing Fitting | 1/2" O.D. | 3/8" NPT |

Nuts, Sleeves and Inserts



Insert



Sleeve



Nut

| SKU# | Product Description | Tube Size |
|-------|---------------------------------|-----------|
| 11130 | Nylon Tubing Inserts | 1/4" O.D. |
| 11131 | Nylon Tubing Inserts | 3/8" O.D. |
| 11132 | Nylon Tubing Inserts | 1/2" O.D. |
| 11133 | Nylon Tubing Inserts | 5/8" O.D. |
| 11134 | Nylon Tubing Inserts | 3/4" O.D. |
| 11218 | Nut for Nylon Tubing Fitting | 1/4" O.D. |
| 11219 | Nut for Nylon Tubing Fitting | 3/8" O.D. |
| 11220 | Nut for Nylon Tubing Fitting | 1/2" O.D. |
| 11221 | Nut for Nylon Tubing Fitting | 5/8" O.D. |
| 11223 | Sleeve for Nylon Tubing Fitting | 1/4" O.D. |
| 11224 | Sleeve for Nylon Tubing Fitting | 3/8" O.D. |
| 11225 | Sleeve for Nylon Tubing Fitting | 1/2" O.D. |
| 11226 | Sleeve for Nylon Tubing Fitting | 5/8" O.D. |

Plugs and Reducers



Socket Head Plug



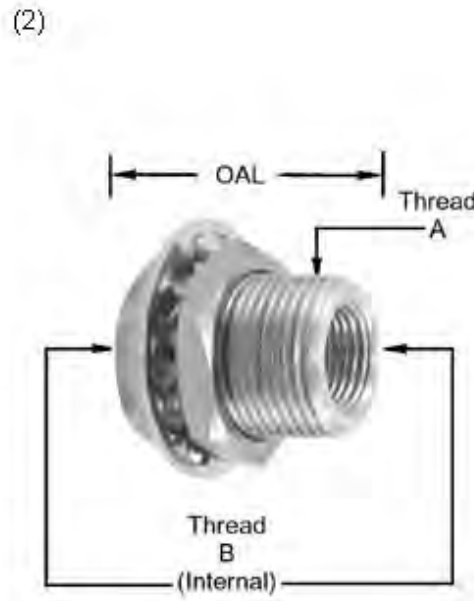
Square Head Plug



Reducer Bushing

| SKU# | Product Description | Pipe Thread |
|-------|----------------------------------|-----------------------------|
| 11088 | Square Head Plug | 1/8" |
| 11089 | Square Head Plug | 1/4" |
| 11090 | Square Head Plug | 3/8" |
| 11091 | Square Head Plug | 1/2" |
| 11092 | Square Head Plug | 3/4" |
| 11093 | Socket/Countersunk Hex Head Plug | 1/8" |
| 11094 | Socket/Countersunk Hex Head Plug | 1/4" |
| 11095 | Socket/Countersunk Hex Head Plug | 3/8" |
| 11096 | Socket/Countersunk Hex Head Plug | 1/2" |
| 11097 | Reducer Bushing | 1/4" (Male) x 1/8" (Female) |
| 11098 | Reducer Bushing | 3/8" (Male) x 1/4" (Female) |
| 11099 | Reducer Bushing | 1/2" (Male) x 1/4" (Female) |
| 11150 | Reducer Bushing | 1/2" (Male) x 3/8" (Female) |
| 11151 | Reducer Bushing | 3/4" (Male) x 3/8" (Female) |
| 11152 | Reducer Bushing | 3/4" (Male) x 1/2" (Female) |

Terminal Bolts (Frame Nipples)



| SKU# | Product Description | Overall Length (OAL) | Thread Size | Thread Size | Mounting Hole Size | OEM # | Pic. # |
|-------|-------------------------------------|----------------------|--------------------|--------------------|--------------------|-------|--------|
| 11300 | Steel Terminal Bolt (Frame Nipples) | 2-7/8" | 1/2" NPTF - Male | 1/4" NPTF - Female | 1-1/4" | 11300 | 1 |
| 11304 | Steel Terminal Bolt (Frame Nipples) | 2" | 1/2" NPTF - Male | 3/8" NPTF - Female | 1" | 11304 | 3 |
| 11306 | Steel Terminal Bolt (Frame Nipples) | 1" | 1/4" NPTF - Female | 1/4" NPTF - Female | 7/8" | 11306 | 2 |
| 11307 | Steel Terminal Bolt (Frame Nipples) | 1-1/2" | 3/8" NPTF - Female | 3/8" NPTF - Female | 1" | - | 2 |
| 11311 | Steel Terminal Bolt (Frame Nipples) | 2" | 1/2" NPTF - Male | 1/4" NPTF - Female | 7/8" | - | 3 |
| 11315 | Steel Terminal Bolt (Frame Nipples) | 2" | 1/2" NPTF - Male | 1/4" NPTF - Female | 1" | 11315 | 3 |

Union and Union Tee Fittings



11201



11202



11204



11051



11216

| SKU# | Product Description | Tube Size |
|-------|--|-----------|
| 11050 | Union Air Line Fitting for Copper Tubing | 1/4" O.D. |
| 11051 | Union Air Line Fitting for Copper Tubing | 3/8" O.D. |
| 11052 | Union Air Line Fitting for Copper Tubing | 1/2" O.D. |
| 11201 | Union Fitting for Nylon Tubing | 1/4" O.D. |
| 11202 | Union Fitting for Nylon Tubing | 3/8" O.D. |
| 11203 | Union Fitting for Nylon Tubing | 1/2" O.D. |
| 11204 | Union Fitting for Nylon Tubing | 5/8" O.D. |
| 11214 | Union Tee Fitting for Nylon Tubing | 1/4" O.D. |
| 11215 | Union Tee Fitting for Nylon Tubing | 3/8" O.D. |
| 11216 | Union Tee Fitting for Nylon Tubing | 1/2" O.D. |
| 11217 | Union Tee Fitting for Nylon Tubing | 5/8" O.D. |

Reservoirs – Saddle Mounted, Single Compartment



19840 Shown

Features:

- Long life internal and external corrosion protection.
- Withstands 500 hour salt spray test.
- Valve ports reinforced for extra strength.
- Conforms to SAEJ10B specifications.
- Certified to 150 PSI working pressure.
- Use of isolator pads recommended in any ABS application.

Specifications:

DQ60200 Isolator Pad Kit

Notes:

- 1) All tanks have 1/4" drain port in bottom.
- 2) All tanks have (2) 3/8" charging ports, one on each end.
- 3) Valve ports on same side – 19842 only.

| SKU# | Product Description | Mounting Centers | Diameter | Volume | Valve Mounting Port(s) | Mounting Flanges |
|-------|--|------------------|----------|--------------|-------------------------|-------------------|
| 19810 | Saddle-Mounted Single Compartment Reservoir | 32" | 8" | 1425 cu. in. | (1) 3/4" | Below Center Line |
| 19820 | Saddle-Mounted Single Compartment Reservoir | 29-1/2" | 12" | 2865 cu. in. | (2) 3/4" | Above Center Line |
| 19821 | Saddle-Mounted Single Compartment Reservoir | 29-1/2" | 12" | 2865 cu. in. | (1) 3/4" | Above Center Line |
| 19840 | Saddle-Mounted Single Compartment Reservoir | 27-1/2" | 9-1/2" | 1490 cu. in. | (2) 3/4" | Above Center Line |
| 19841 | Saddle-Mounted Single Compartment Tank Reservoir | 27-1/2" | 9-1/2" | 1490 cu. in. | (2) 1/2" | Below Center Line |
| 19842 | Saddle-Mounted Single Compartment Tank Reservoir | 27-1/2" | 9-1/2" | 1490 cu. in. | (2) 1/2" * see notes | Below Center Line |
| 19845 | Saddle-Mounted Single Compartment Tank Reservoir | 27-1/2" | 9-1/2" | 1490 cu. in. | (1) 1/2" & (1) 3/4" | Below Center Line |
| 19850 | Saddle-Mounted Single Compartment Reservoir | 32" | 8" | 1425 cu. in. | (2) 1/2" | Above Center Line |

Reservoirs – Saddle Mount, Dual Compartment Tank



Features:

- Long life internal and external corrosion protection.
- Withstands 500 hour salt spray test.
- Valve ports reinforced for extra strength.
- Conforms to SAEJ10B specifications.
- Certified to 150 PSI working pressure.
- Use of isolator pads recommended in any ABS application.

Notes:

- 1) (2) 1/4" drain ports in bottom, one in each compartment.
- 2) (2) 1/2" charging ports, one on each end.
- 3) (1) 3/8" top charging port.
- 4) Each compartment has equal volume (1522).

| SKU# | Product Description | Mounting Centers | Diameter | Volume | Valve Mounting Ports | Mounting Flanges |
|--------|---|------------------|----------|--------------|----------------------|-------------------|
| A97471 | Saddle Mount, Dual Compartment Tank Reservoir | 31-1/2" | 12" | 3044 cu. in. | (3) 1/2" | Above Center Line |

Reservoirs Related Parts



11327



DQ60200



11328

| SKU# | Product Description | Measurements | Application | Notes |
|---------|----------------------------------|-----------------|--|---|
| 11327 | Plated Valve Mounting Hex Nipple | 1/2" x 3/4" MPT | Sized for all applications. | Eliminates failure from nipple contamination. Zinc plated to prevent corrosion. Hex portion for sure installation. |
| 11328 | Plated Valve Mounting Hex Nipple | 3/4" x 3/4" MPT | Sized for all applications. | Eliminates failure from nipple contamination. Zinc plated to prevent corrosion. Hex portion for sure installation. |
| DQ60200 | Isolator Pad Kit | .187 thick | Isolator Pad Kit is recommended for all applications. Standard OE installations. | Isolates tanks from high frequency vibration. Protects ABS Control Units. Extends reservoir service life. Includes 2 isolator pads only. |

Flexastiks



Features:

- Zinc dichromate finish.

| SKU# | Product Description | Finish | Length | Included Hardware | OEM # |
|-------|---------------------|-----------------|--------|--|----------|
| 11500 | Flexastik | Zinc Dichromate | 41" | 11547 Hose Clamp | N30200AE |
| 11501 | Flexastik | Zinc Dichromate | 41" | 11547 Hose Clamp 11403 Hose Support Bracket | N30200AF |
| 11502 | Flexastik | Zinc Dichromate | 41" | 11611 Hose Ring Assembly | N30200AA |
| 11503 | Flexastik | Zinc Dichromate | 41" | 11611 Hose Ring Assembly 11403 Hose Support Bracket | N30200AB |
| 11504 | Flexastik | Zinc Dichromate | 51" | 11547 Hose Clamp | N30200AG |
| 11505 | Flexastik | Zinc Dichromate | 51" | 11547 Hose Clamp 11403 Hose Support Bracket | N30200AH |
| 11506 | Flexastik | Zinc Dichromate | 51" | 11611 Hose Ring Assembly | N30200AC |
| 11507 | Flexastik | Zinc Dichromate | 51" | 11611 Hose Ring Assembly 11403 Hose Support Bracket | N30200AD |
| 11508 | Flexastik | Zinc Dichromate | 41" | None | N30200 |
| 11509 | Flexastik | Zinc Dichromate | 51" | None | - |

Slide Bars



Features:

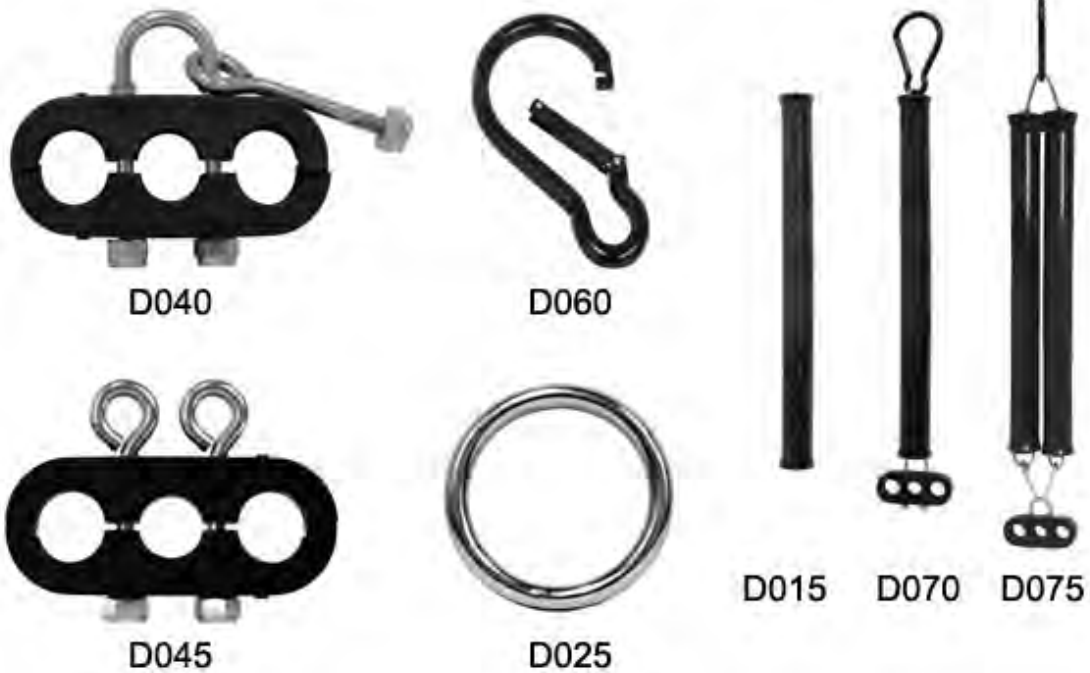
- Type 304, 3/4" stainless steel bar
- Elongated mounting holes cover a range of mounting hole locations

Notes:

- 1) Slide Bar Component Parts listed later in this section.

| SKU# | Product Description | (A) Mounting Holes Spacing | (B) Overall Length |
|-------|--------------------------------------|----------------------------|--------------------|
| DA229 | Slider Bar and 16" Single Tender Kit | 42" - 45" | 46-1/2" |

Slide Bar Component Parts



| SKU# | Product Description | Notes |
|------|---|--|
| D015 | Slide Bar Spring Cover | 16" Sleeve Only. |
| D025 | 2-1/4" O.D. Large Ring | Welded, will fit over slider bar. |
| D040 | 3-Hole Clamp | (1) U-Bolt & (1) Eye-Bolt Two 3/4" holes, holds 3/8" I.D. hoses or spring guard protected Aircoil leads The center hole is for any 7 conductor or ABS trailer cable. |
| D045 | 3 Hole Clamp with Eyelets | (2) Eye-Bolts Two 3/4" holes, holds 3/8" I.D. hoses or spring guard protected Aircoil leads The center hole is for any 7 conductor or ABS trailer cable. |
| D060 | Large Snap Clip | Will fit over slider bar. |
| D070 | 16" Slide Bar Spring Assembly – Tender Kit | Large snap clip, clamp hanger, heavy duty spring and protective sleeve. |
| D075 | 16" Slide Bar Double Spring Assembly – Tender Kit | Large snap clip, clamp hanger, heavy duty spring, protective sleeve and yoke. |

Air Line Filter Assemblies

(1)



(2)



(3)



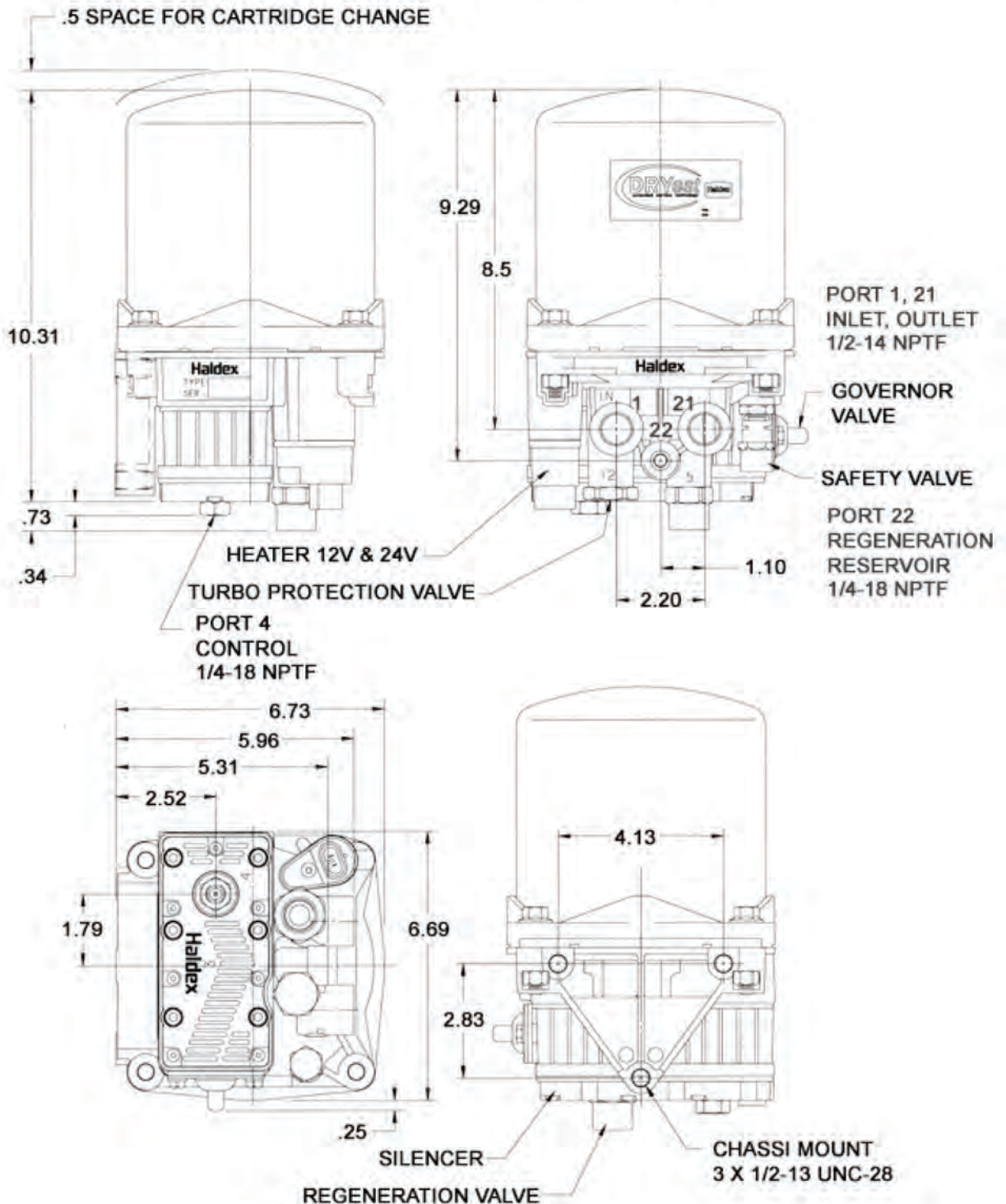
| SKU# | Product Description | Features/Notes | OEM Number | Picture Number |
|---------|----------------------------------|---|------------|----------------|
| 11480 | Complete Airline Filter Assembly | (2) 1/4"-18 NPTF Ports Removeable & replaceable filter element. Can be used in both emergency and service lines. | N12969 | 2 |
| N12971B | Replacement Filter | For Airline Filter Assembly. | - | 1 |
| RN13A | Repair Kit | For Airline Filter Assembly. | - | 3 |

Miscellaneous Accessories

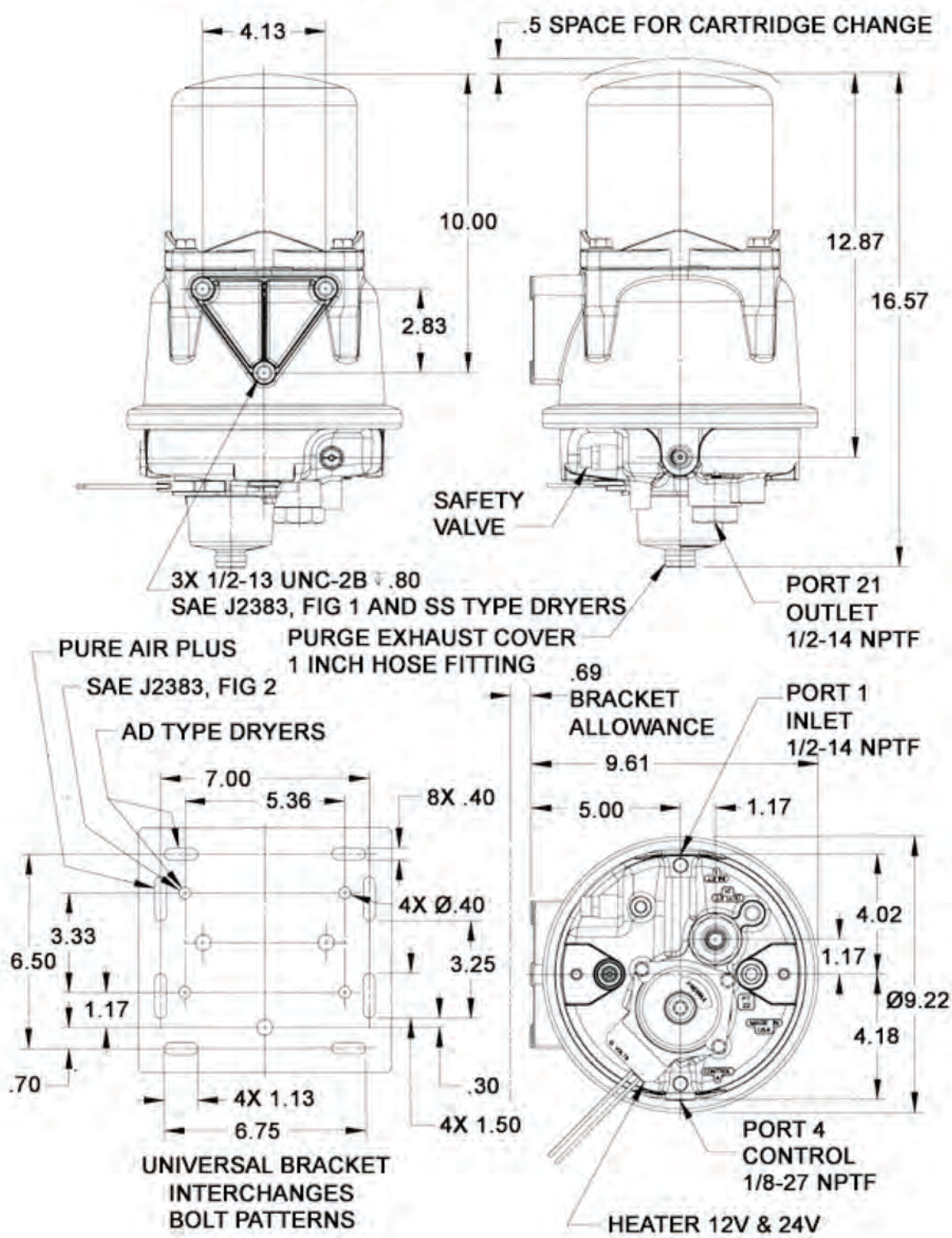


| SKU# | Product Description | Features/Notes | OEM # |
|-------|--|--|---------|
| 11120 | Protected Tube Clamp | 1/4" I.D. – 17/64" Mounting | 15111 |
| 11121 | Protected Tube Clamp | 5/16" I.D. – 17/64" Mounting | 15112 |
| 11122 | Protected Tube Clamp | 3/8" I.D. – 17/64" Mounting | 15113 |
| 11123 | Protected Tube Clamp | 1/2" I.D. – 17/64" Mounting | 15114 |
| 11124 | Protected Tube Clamp | 5/8" I.D. – 17/64" Mounting | 15115 |
| 11125 | Protected Tube Clamp | 3/4" I.D. – 21/64" Mounting | 15116 |
| 11126 | Protected Tube Clamp | 15/16" I.D. – 21/64" Mounting | 15117 |
| 11127 | Protected Tube Clamp | 1–1/4" I.D. – 21/64" Mounting | 15118 |
| 11420 | Emergency Airline Tag | Stamped aluminum with color coded anodize finish. | N10790K |
| 11421 | Service Airline Tag | Stamped aluminum with color coded anodize finish. | N10790L |
| 11514 | Cable Caddie | Made of ABS Plastic. | 11514 |
| 11600 | Support Spring – Extra Heavy Duty (For Hookup Lines) | 25–1/2" Length – 1–1/8" Coil O.D. | 10600 |
| 11601 | Support Spring – Regular Duty | 13" Length – 3/4" Coil O.D. | 10601 |
| 11602 | Support Spring – Heavy Duty | 13" Length – 1" Coil O.D. | 10602 |
| 11603 | Support Spring – Extra Heavy Duty | 16" Length – 1–1/16" Coil O.D. | 10603 |
| 30107 | Tarp Straps | 15" Strap Length Straps are supplied with Crimped "S" Hooks installed | 6900013 |
| 30108 | Tarp Straps | 21" Strap Length Straps are supplied with Crimped "S" Hooks installed | – |
| 30109 | Tarp Straps | 31" Strap Length Straps are supplied with Crimped "S" Hooks installed | – |

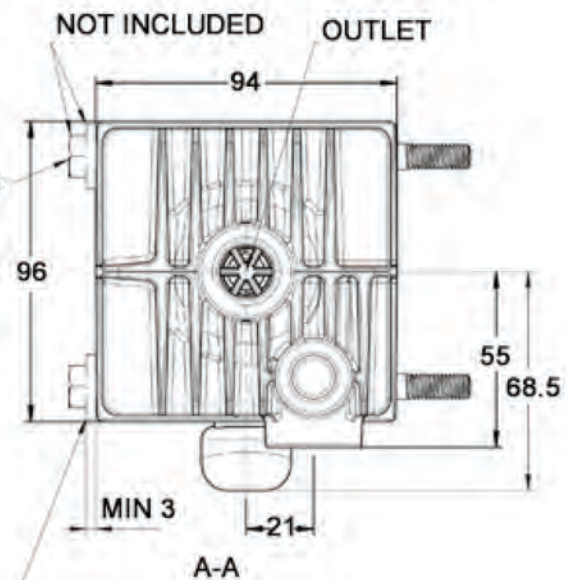
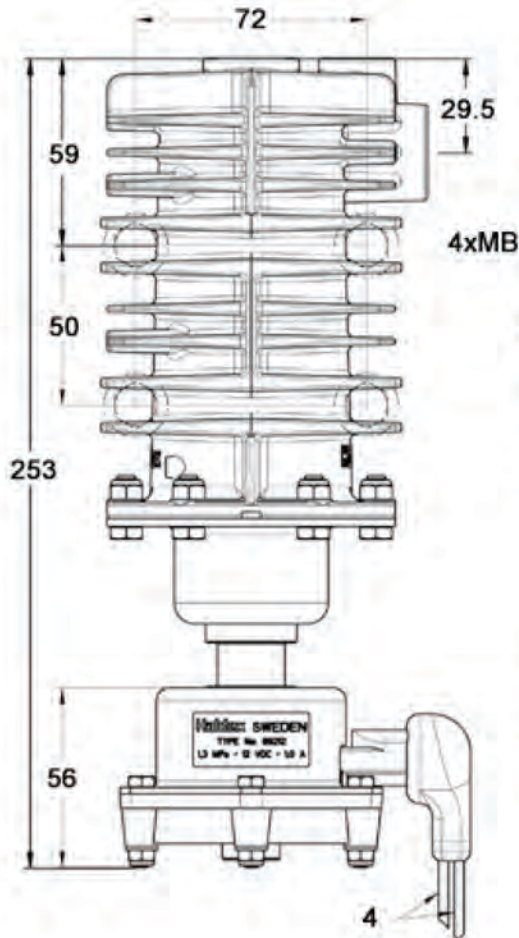
Dimensional Drawing of DRYest® Air Dryer



Dimensional Drawing of PUPrest® Air Dryer

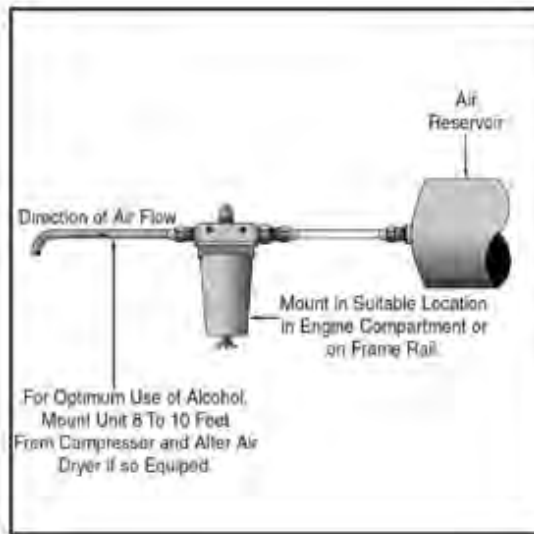


Dimensional Drawing of Consep® Condenser/Separator



A-A
 WASHER 8.5 x 20 x 3
 ELECTRO ZINC-PLATED (DIN 7346)
 ALT. S4B 9 ELECTRO ZINK-PLATED
 HOTDIP GALVANIZED (DIN 436)

How the Evaporator Works



The evaporator is connected into the compressor discharge line between the compressor and the air reservoir. The warmer compressed air stream is pumped by the compressor through a venturi shaped passage in the injector. A smaller passage ahead of and angled to the venturi admits air to the liquid alcohol below and also introduces the resulting alcohol vapor into the air stream. The air flow through the venturi then assures completed vaporization and mixing. After leaving the venturi, the air stream passes through a one-way check valve located in the evaporator outlet. It is there to seal off a possible back pressure and enable removing the filler cap to refill the unit with alcohol.