

BriteZone™ Hand Held Work Lamps

Data Sheet



WORK LIGHTING



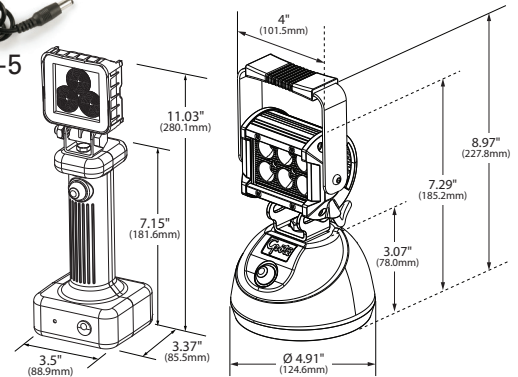
PRODUCT SPECIFICATIONS

MATERIALS

LENS: POLYCARBONATE
HOUSING: DIE-CAST ALUMINUM LAMP WITH POLYMER BASE
BRACKET: STAINLESS STEEL

LIGHT OUTPUT

FLOOD PATTERN WITH COOL WHITE COLOR



NO EXCUSES. Rain or Shine... Day or Night... Grote's line of affordable LED lamps are designed to work when you need them.

- Chargers are provided with all lamps: Go Anywhere LED Work Lamps come with wall & car chargers. EZ Grip LED Work Lamp comes with a wall charger.
- The magnetic polymer base allows you to secure the lamp to most metal surfaces.
- With rugged, durable construction and LED power that far outshines halogen, BriteZone lamps get the job done.
- Boating. Mowing. Off-roading. Working. Long after the sun goes down, you need a lamp that's as tough and tireless as you are.
- Grote's BriteZone range has the LED lamp to shed light on any use—even tow trucks, garbage trucks and forklifts—without breaking the bank.

PART NUMBER	DESCRIPTION	LEDS	POWER CONSUMPTION	RAW LUMENS	VOLTS
BZ511-5	MOSSY OAK® CAMO GO ANYWHERE LED WORK LAMP	6	12 WATTS	1100	12 VOLTS DC
BZ501-5	GO ANYWHERE LED WORK LAMP	6	12 WATTS	1100	12 VOLTS DC
BZ401-5	EZ GRIP LED WORK LAMP	3	12 WATTS	775	12 VOLTS DC
BZ701	CLEAR LENS FOR BZ501-5 OR BZ511-5				
BZ702	RED LENS FOR BZ501-5 OR BZ511-5				
BZ703	AMBER LENS FOR BZ501-5 OR BZ511-5				
BZ705	BLUE LENS FOR BZ501-5 OR BZ511-5				
BZ801-5	WALL CHARGER FOR BZ401-5, BZ501-5, OR BZ511-5				
BZ901-5	CAR CHARGER FOR BZ401-5, BZ501-5, OR BZ511-5				



Learn more about replacement bulbs parts we have.