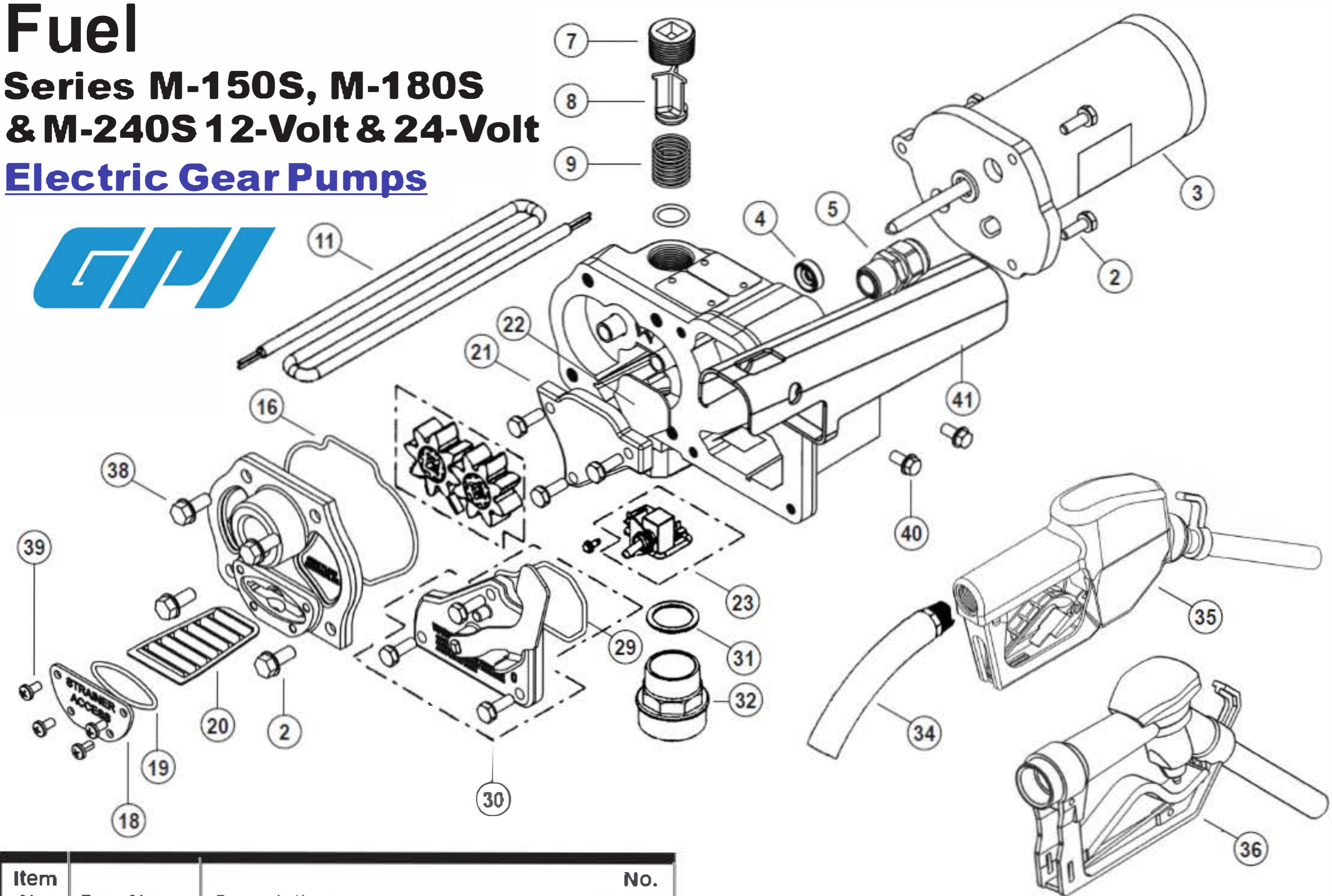


Fuel

Series M-150S, M-180S & M-240S 12-Volt & 24-Volt Electric Gear Pumps



Item No.	Part No.	Description	No. Req'd.
2	904002-23	Sems Screw, 1/4-20 x 3/4 in.	9
3	119000-51	Motor, 12-Volt (U.L.) (M-150S)	1
	119001-51	Motor, 12-Volt (U.L.) (M-180S)	1
	119000-52	Motor, 24-Volt (U.L.) (M-240S)	1
4	11002502	Seal, Motor Shaft	1
5	904002-17	Strain Relief Sealing Grip (12-Volt & 24-Volt)	1
7	904001-42	Pipe Plug, 3/4 in.	1
8	110010-1	Bypass Poppet	1
9	110131-2	Spring, Bypass Poppet (M-150S, M-240S)	1
	110011-2	Spring, Bypass Poppet (M-180S)	1
11	110265-02	Power Cord, 12 ga. x 18 ft. (5.5 m)	1
16	110026-1	Gear Coverplate O-Ring	1
18	110024-1	Coverplate, Strainer	1
19	110026-4	Strainer Coverplate O-Ring	1
20	110009-1	Inlet Strainer	1
21	110195-02	Coverplate, Electrical	1
22	110285-01	Electrical Coverplate Gasket	1
23	110277-05	M-150 Switch Assy	1
	110277-06	M-240S Switch Assy	1
	110277-07	M-180S Switch Assy	1
29	110026-6	Switch Coverplate O-Ring	1
30	110276-01	Switch Coverplate Assy	1
31	110032-1	Gasket, Union Ring	1
32	110037-1	Bung Adapter	1
33	110100-1	Suction Pipe Assy	1
34	110187-1	Hose, 3/4 in. x 12 ft., (3.7 m)	1
	110188-1	Hose, 1 in. x 12 ft., (3.7 m) (M-180S only)	1
35	110121-8	Nozzle, Automatic 3/4 in., Unleaded, U.L.	1
	110120-1	Hook for Automatic Nozzle	1
	904001-88	Set Screw for Nozzle Hook	2
36	110155-1	Nozzle, Manual 3/4 in., Unleaded	1
	110155-3	Nozzle, Manual 1 in., Leaded	1
38	904002-24	Sems Screw	4
39	904002-22	Sems Screw	4
40	904006-86	Tapping Screw	2
41	11030302	Nozzle Cover	1

Items Not Shown

110016-1	Inlet Fitting
110122-1	Reducer (M-180S only)
110158-1	Union Ring
110191-1	Jumper Wire
110500-01	15-amp Fuse Kit (M-240S)
110500-02	25-amp Fuse Kit (M-150S)
110500-03	30-amp Fuse Kit (M-180S)
110504-1	Fuel Pump Overhaul Kit (includes 2 Gears, Drive Key & O-Rings)
110524-1	Armature Assy Kit (M-150S)
110524-2	Armature Assy Kit (M-240S)
110524-04	Armature Assy Kit (M-180S)
110525-1	Brush Card Assembly Kit (includes Brush Holder Assy)
110526-1	Motor Housing Kit (includes Motor Housing Assy)
110527-1	Battery Clamp Kit (includes 2 Battery Clamps)
110530-01	Nozzle Spout
110540-01	Nozzle Hook Kit (includes Hook & 2 Screws)
110906-1	Wet Seal Kit (includes O-Rings & Motor Shaft Seal)
110907-1	Gear Kit (includes 2 Gears & Drive Key)
110908-1	Poppet Seal Kit (includes Poppet O-Ring)
110909-1	Bung Adapter Kit
110910-02	Switch Kit (includes Switch)
110913-2	Spare Key Kit (includes Spare Drive Key)
110927-04	Gear Coverplate Kit (M-150S, M-240S)
110927-05	Gear Coverplate Kit (M-180S)
111501-1	Adapter Kit
115527-2	Suction Pipe Extension, 15 inch
902006-31	M-150S Motor Protector Only
902006-38	M-180S Motor Protector Only
906001-4	Pre-Vent Vapor Control Cap (3 psi)