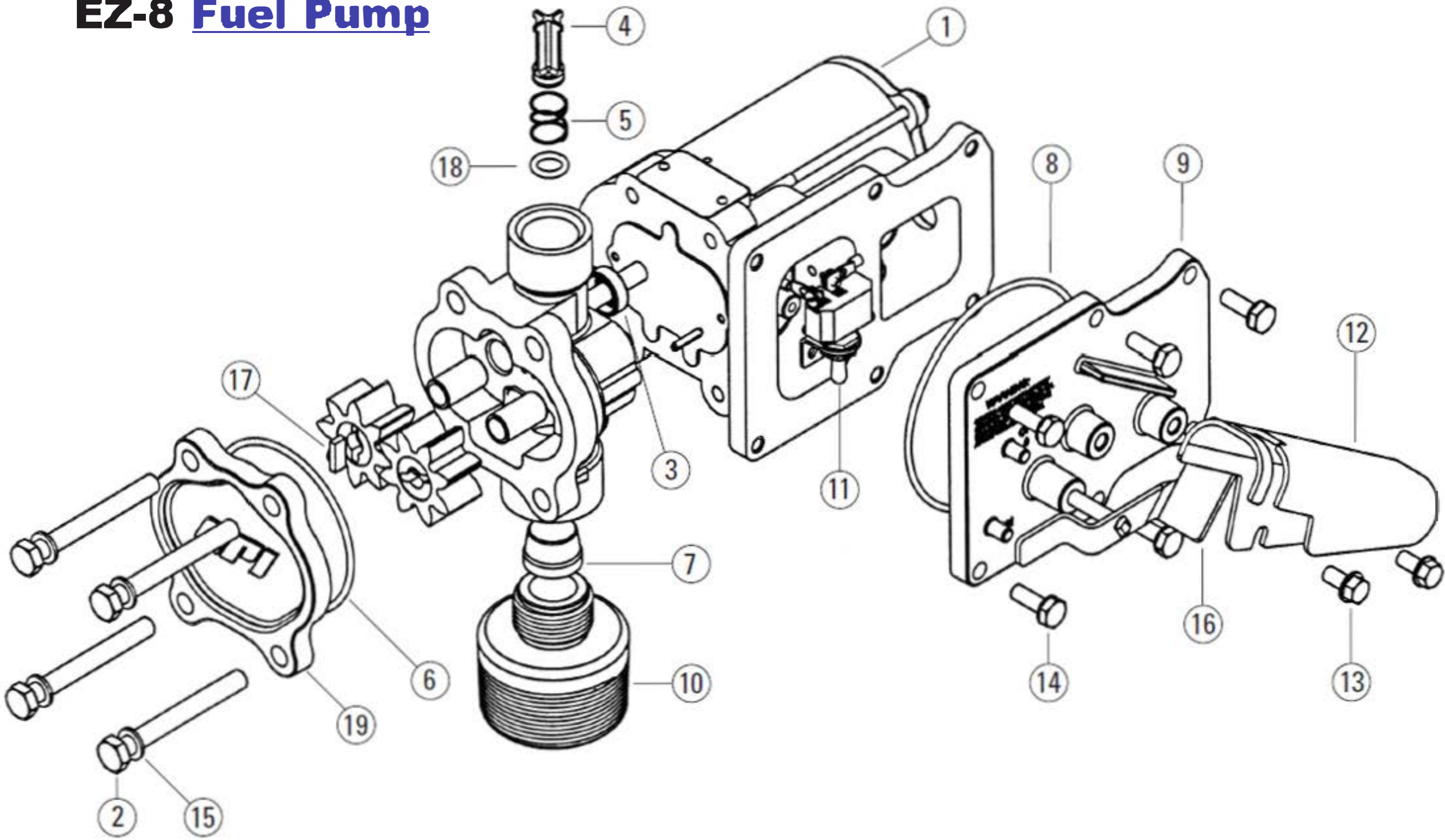




Fuel

EZ-8 Fuel Pump



Item No.	Part No.	Description	No. Req'd.
1	137041-01	Motor, 12-Volt	1
2	904004-2	Screw, Hex Head Cap	4
3	11002502	Motor Shaft Seal	1
4	137031-01	Bypass Poppet	1
5	137039-06	Spring, Bypass Poppet	1
6	901003-76	O-Ring	1
7	123038-1	Inlet Strainer	1
8	901003-70	O-Ring	1
9	137014-01	Switch Coverplate	1
10	13703004	Bung Adapter	1
11	902007-30	Switch	1
12	110360-02	Nozzle Cover	1
13	904006-86	Tapping Screw	2
14	904002-23	Sems Screw	6
15	904007-65	Washer, Flat	4
16	137007-01	Switch Lever Assy	1
17	110017-2	Drive Key	1
18	901003-77	O-Ring	1
19	137012-01	Gear Coverplate	1

Items Not Shown

- 904002-17 Strain Relief Sealing Grip
- 110412-15 Power Cord, 14 ga. x 15 ft. (4.6 m)
- 13703002 Suction Pipe (3 pieces required)
- 906005-64 Coupler Fitting (2 pieces required)
- 904005-16 Nipple Fitting, 3/4-inch NPT
- 136157-01 Hose, (3/4-inch NPT x 5/8 x 10 ft.)
- 110155-1 Nozzle, Manual 3/4 in., Unleaded
- 906001-4 Pressure Vent Cap (3 psi)
- 13750003 Gear Kit (includes 2 Gears & Drive Key)
- 13750006 Drive Key Kit (includes Drive Key)
- 13750004 Gear Coverplate Kit (includes Gear Coverplate, O-Ring #6)
- 13750001 Fuse Holder Kit (includes Fuse Holder, Fuse, Wire)
- 13750005 Overhaul Kit (includes Drive Key, Motor Shaft Seal, 2 Gears, O-Ring #8, O-Ring #6, O-Ring #18)
- 13750002 Wet Seal Kit (includes Motor Shaft Seal, O-Ring #6, O-Ring #18)