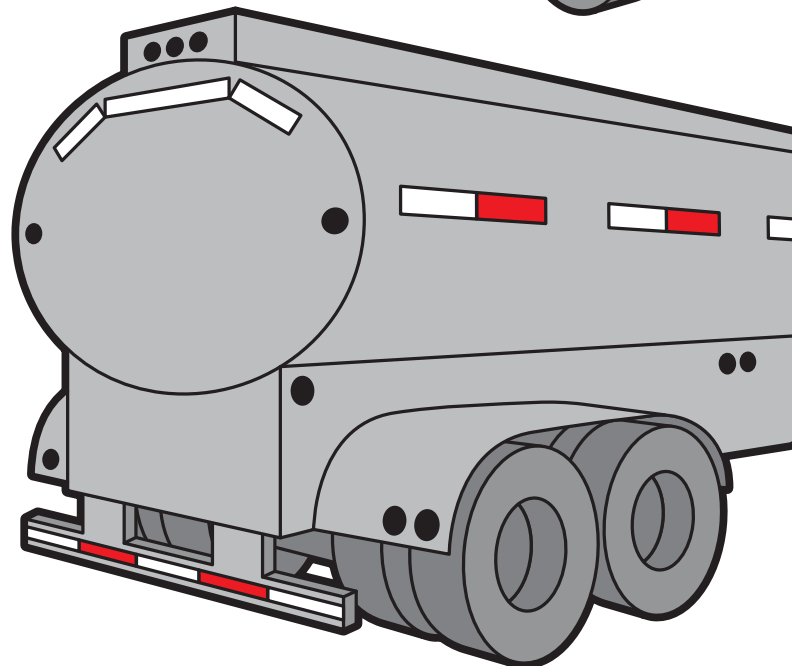
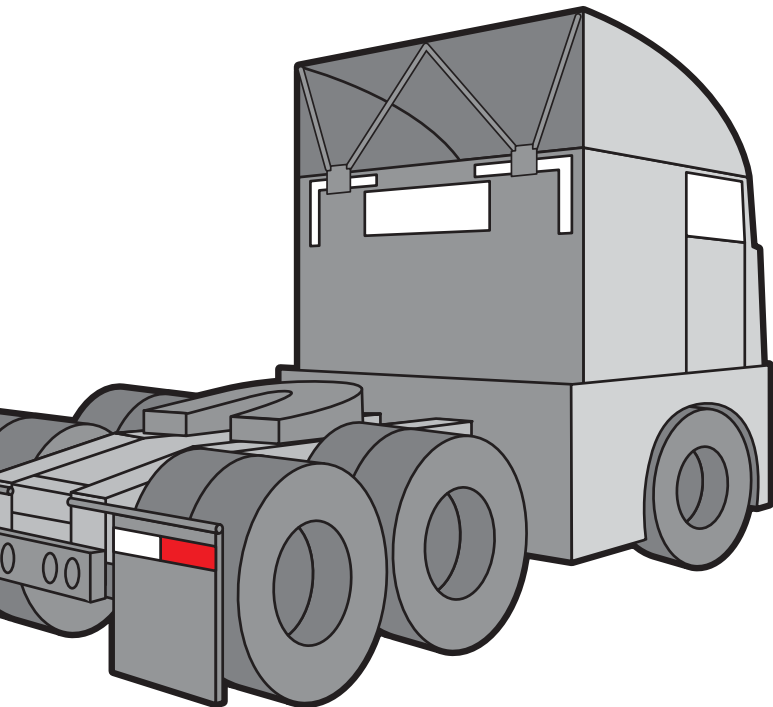
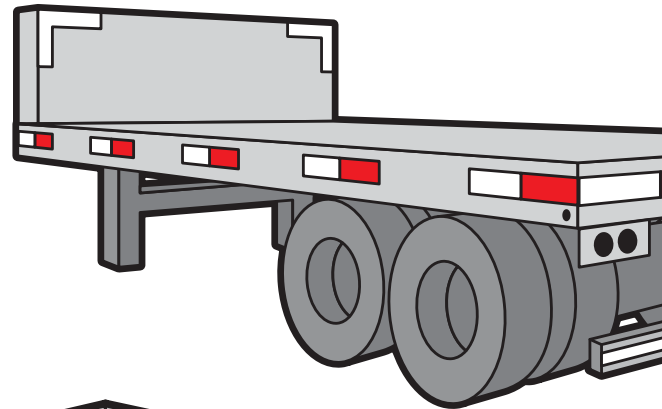


Regulation FMVSS108 ("US DOT-C2") Compliant Conspicuity Application Guidance

Which vehicles are required to have US DOT-C2-compliant conspicuity applied?

Each trailer with an overall width of 2032 mm or more and with a gross vehicle weight rating (GVWR) of over 10,000 lbs., except trailers designed exclusively for living or office use must have compliant conspicuity. Each truck tractor must be equipped with retroreflective sheeting, reflex reflectors, or a combination of retroreflective sheeting and reflex reflectors.



Where to apply US DOT-C2-compliant conspicuity:

Trailers — Rear

- A complete horizontal line marking needs to be applied with the strip centerline as close as practicable between 375 mm and 1525 mm above the road surface with the trailer at curb weight. The line marking should be as close to 100% as practicable of the overall width of the vehicle. Use alternating red and white colored marking tape only.
- Two pairs of strips of 300 mm long white sheeting must be applied horizontally and vertically to the upper right and upper left contours of the body, as viewed from the rear, and as close to the top of the trailer and spaced as far apart as practicable. (Not required for container chassis or for platform trailers without bulkheads.) If the perimeter of the body, as viewed from the rear, is not rectangular, the strips may be applied along the perimeter, as close as practicable to the uppermost and outermost areas of the rear of the body on the left and right sides.
- A complete horizontal line marking no less than 38 mm wide needs to be applied across the full width of the horizontal part of the rear underride protection device. (Not required for trailers without underride protection devices.) Use alternating red and white colored marking tape only.

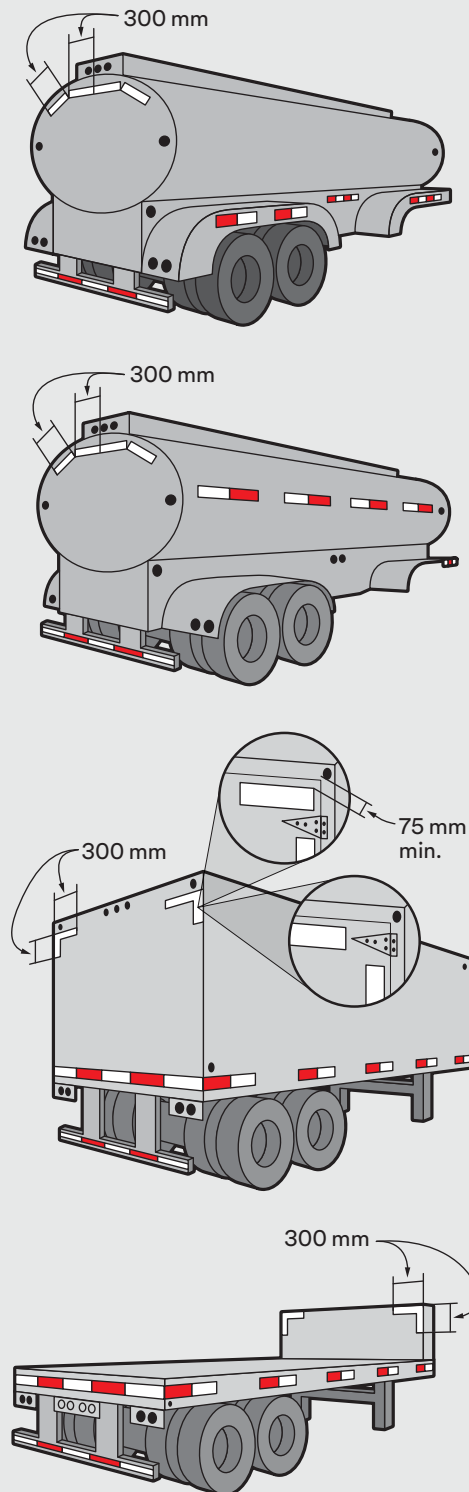
See Figure 1.

Trailers — Sides

- A strip of alternating red and white colored sheeting or conspicuity reflex reflectors must be applied to each side, as horizontal as practicable, beginning and ending as close to the front and rear as practicable. The height of the centerline of these strips should be between 375 mm and 1525 mm above the road surface at curb weight, except that the strip must not be obscured in whole or in part by other motor vehicle equipment or trailer cargo.
- The strip does not need to be continuous, but at least half the total length of the trailer needs to be covered with the strips spaced as evenly as practicable.
- If necessary to clear rivet heads or other similar obstructions, Grade DOT-C2 sheeting may be separated into two 25 mm wide strips of the same length and color, separated by a space of no more than 25 mm and used in place of the retroreflective sheeting that would otherwise be applied.

See Figure 1.

Figure 1 — Trailer Conspicuity Treatment Examples

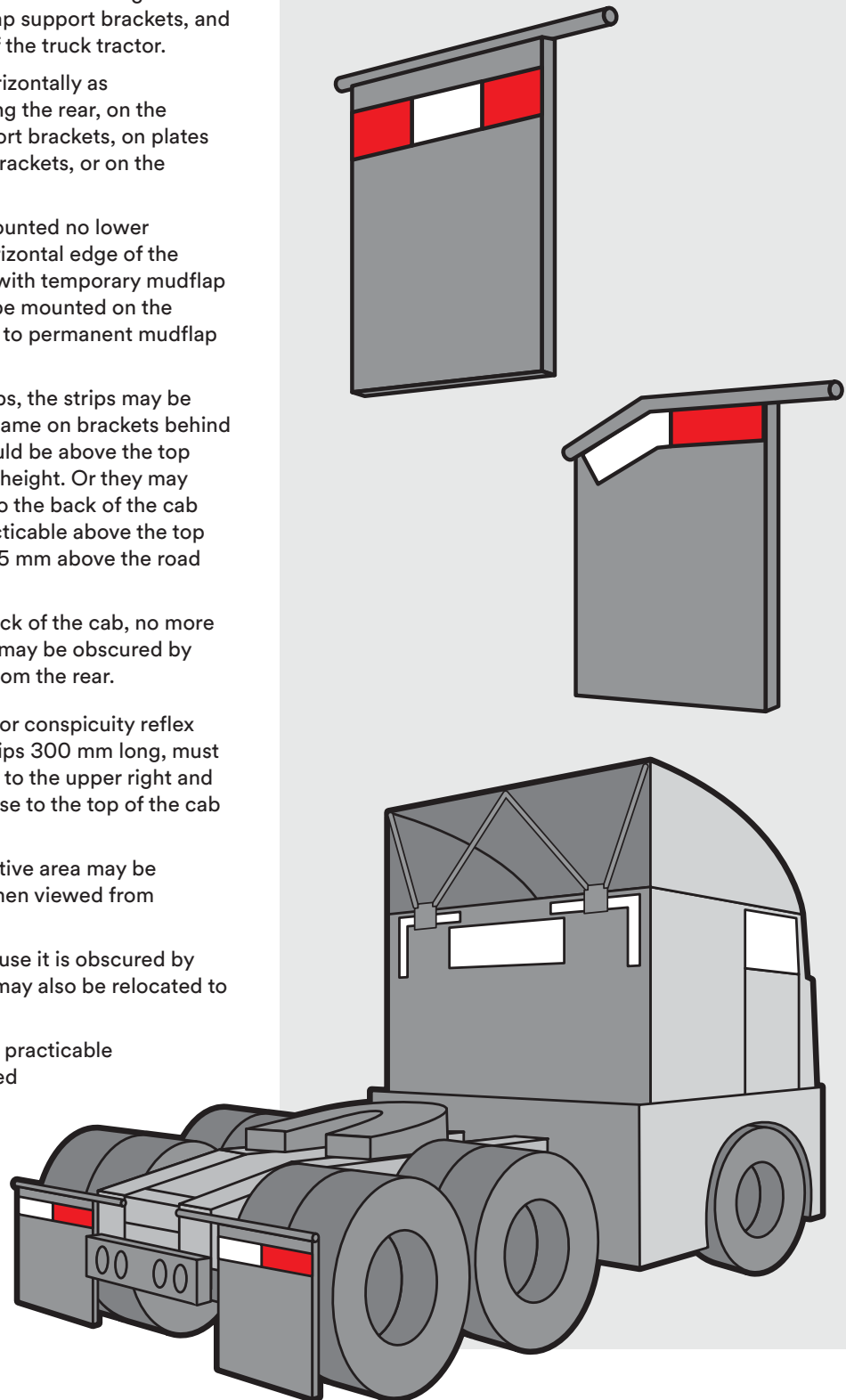


Truck Tractors

- Two strips of alternating red and white sheeting or conspicuity reflex reflectors, each at least 600 mm long, should be located as close as practicable to the edges of the rear fenders, mudflaps, or the mudflap support brackets, and must be applied to mark the width of the truck tractor.
 - The strips must be mounted as horizontally as practicable in a vertical plane facing the rear, on the rear fenders, on the mudflap support brackets, on plates attached to the mudflap support brackets, or on the mudflaps themselves.
 - Strips on the mudflaps must be mounted no lower than 300 mm below the upper horizontal edge of the mudflap. If the vehicle is certified with temporary mudflap support brackets, the strips must be mounted on the mudflaps or on plates transferable to permanent mudflap support brackets.
 - For a truck tractor without mudflaps, the strips may be mounted toward the edge of the frame on brackets behind or in front of the rear axle and should be above the top of the rear tires at unladen vehicle height. Or they may be mounted directly or indirectly to the back of the cab as close to the outer edges as practicable above the top of the tires, and not more than 1525 mm above the road surface at unladen vehicle height.
 - If the strips are mounted on the back of the cab, no more than 25% of their cumulative area may be obscured by vehicle equipment when viewed from the rear.
- Two white pairs of strips of sheeting or conspicuity reflex reflectors, each pair consisting of strips 300 mm long, must be applied horizontally and vertically to the upper right and upper left contours of the cab, as close to the top of the cab and as far apart as practicable.
 - No more than 25% of their cumulative area may be obscured by vehicle equipment when viewed from the rear.
 - If one pair must be relocated because it is obscured by vehicle equipment, the other pair may also be relocated to make the pairs symmetrical.
 - If the rear window occupies all the practicable space, the material may be attached to the edge of the window itself.

See Figure 2.

Figure 2 — Tractor Conspicuity Treatment Examples



Application Spacing

As illustrated in Figure 3, the edge of any white sheeting must be located no closer than 75 mm to the edge of the luminous lens of any red or amber lamp that is required by this standard. And the edge of any red sheeting must also be located no closer than 75 mm to the edge of the luminous lens of any amber lamp that is required by the standard.

