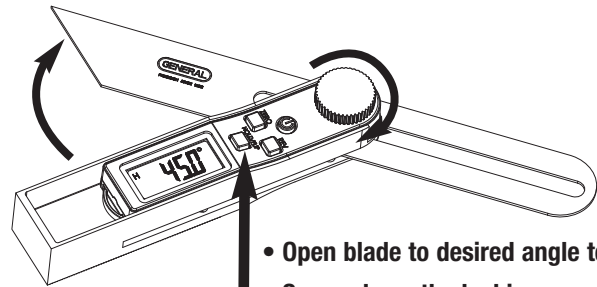
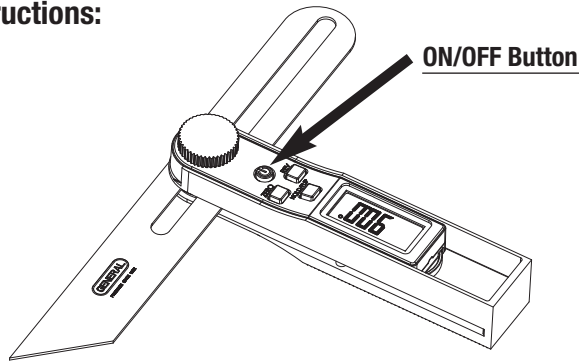
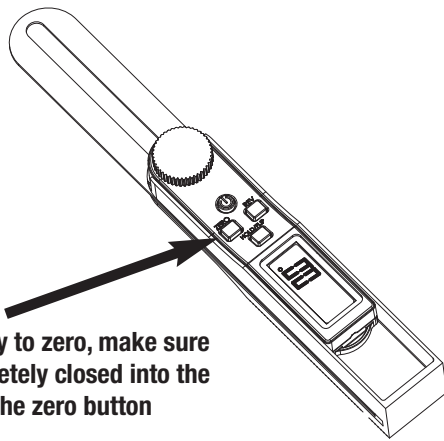
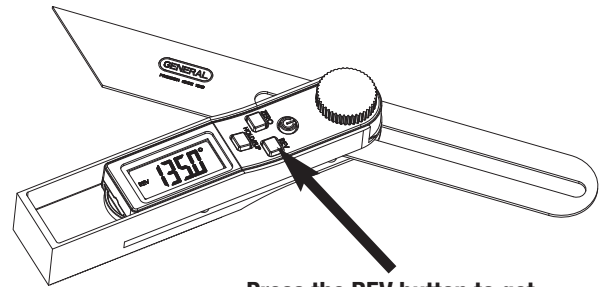


Instructions:

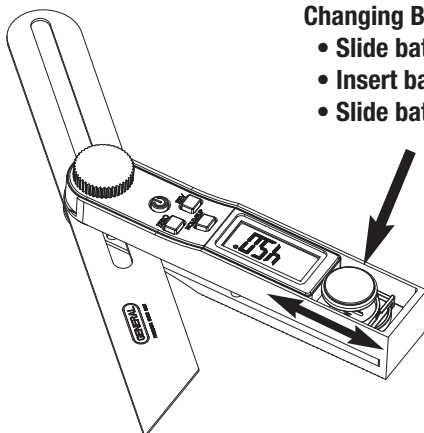
- Open blade to desired angle to be measured
- Screw down the locking screw to save angle
- You can also press the HOLD/REV button momentarily and this will save the measurement for transfer



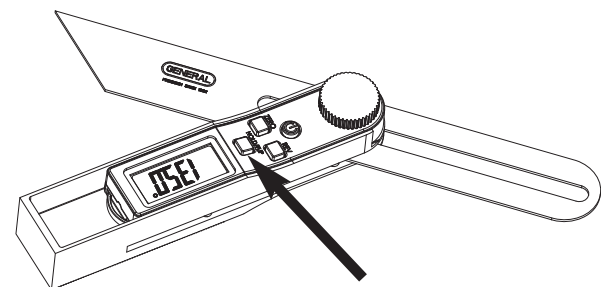
To clear the display to zero, make sure the blade is completely closed into the handle and press the zero button



Press the REV button to get the reverse angle readout

**Changing Battery:**

- Slide battery tray out
- Insert battery with positive side down
- Slide battery tray back in



Press the HOLD/FLIP button for 3 seconds to invert the display