



FISH FIGHTER™
Products

2018
VOLUME #4



**IN THE RELENTLESS
PURSUIT OF BIG FISH**



Fish Fighter™ Products was born out of our passion to make things better. Every one of us on the Fish Fighter™ Staff believe in Thomas Edison's Quote "There is a better way for everything, find it". We have been in the relentless pursuit of big fish our whole lives and have been inventing products that help us in our quest. We build products for the hardcore fisherman and find a lot of pride in knowing that our customers are just like us and have that inner desire to go out fishing, when others won't; all in the Relentless Pursuit of big fish. We are proud of the fact we design manufacture and distribute our products from our facility here in Mountain Home , Idaho. Every time you buy a product from us, you are putting people to work and we thank you for that. Join us in our quest to be the best company and the best fishermen we can possibly be.

A handwritten signature in black ink, appearing to be "C", with a long horizontal line extending to the right.



TABLE OF CONTENTS

Anchoring	Pgs. 1-19
Columbia River Edition™ Breakaway River Anchors	Pgs. 2-5
Anchor Spade Kits	Pgs. 6
Kwik Pull Anchor Retriever	Pgs. 7
Anchor Buoys	Pgs. 8
Anchor Retrieval Systems	Pgs. 8
Deck Mount Anchor Nest	Pgs. 9
Bow Mount Anchor Nest	Pgs. 10-11
Eco-Friendly™ Drift Boat and Lake Anchors	Pgs. 12-13
Drift Boat Anchor Nest	Pgs. 14-15
Drift Boat Anchor Claw	Pgs. 16
Floating Anchor Rope Bag	Pgs. 17
Bow Chocks	Pgs. 18
Anchor Rope	Pgs. 19
Trays and Storage	Pgs. 20-32
Relentless Series™ Tackle Trays	Pgs. 21-22
Relentless Series™ Sinker Trays	Pgs. 24-25
Bait Tray with Plug Cutter	Pgs. 26
Sportsman's Series™ Utility Trays	Pgs. 27-28
Sinker Size Gauges	Pgs. 29
18" wall Mount Tackle Holder	Pgs. 30
Wall Mount Propane Racks	Pgs. 31
Propane Caddys	Pgs. 32
Sliding Rail System	Pgs. 33-36
Sliding Rail System Round Mount	Pgs. 33-34
Sliding Rail System Flat Mount	Pgs. 35-36
Quick Mount System	Pgs. 37-40
Quick Mount Anchor Nest Mount	Pgs. 37-38
Quick Mount Minn Kota Mount	Pgs. 39-40
Rod Racks and Holders	Pgs. 41-48
Pivoting Rocket-Launcher Four Position Rod Racks	Pgs. 41-42
Fixed Angle Rocket-Launcher Rod Racks	Pgs. 43-44
Universal Rocket-Launcher Rod Racks	Pgs. 45-46
Wall Mount Rod Racks	Pgs. 47
Offshore Wall Mount Rod Racks	Pgs. 48
Downrigger Weights	Pgs. 49-50
Apparel	Pgs. 51-59
Cotton Shirts	Pgs. 53-54
Cotton Hoodie	Pgs. 54
Sport-Tek® T-Shirts	Pgs. 55-56
Sport Wick Hoodie	Pgs. 57
Reel Feel™ Gloves	Pgs. 58
Snap-Back Hats	Pgs. 59
The Boat House	Pgs. 60-72
Fish Fighter Products Decals	Pgs. 60
Jig and Leader Boards	Pgs. 61
Fillet Away Fish Mat	Pgs. 61
Stainless Steel Thermos	Pgs. 62
Neoprene Drink Holders	Pgs. 62
Yeti Cooler Trays	Pgs. 63
Yeti Bait Trays	Pgs. 64
Yeti Max Cold Cooler Trays	Pgs. 65
Yeti Max Cold Bait Trays	Pgs. 66
Max Cold Freezer Block	Pgs. 67
12 Pack Drink Rack	Pgs. 67
Bait Towel with Carabiner/Bottle Opener	Pgs. 68
Trash Cans	Pgs. 68
Aluminum Storage Racks	Pgs. 69
Aluminum End Wrench Paper Towel Racks	Pgs. 69
2 Hole Wall Hooks	Pgs. 70
4 Hole Wall Hooks	Pgs. 70
3-In-1 Hook Racks	Pgs. 70
Hammer and Cord Holders	Pgs. 71
Quart Racks	Pgs. 72
Aerosol Can Brackets	Pgs. 72
Towing	Pgs. 73-76
Workman Hitch Kits	Pgs. 75
Swivel-Loc Hitch Kits	Pgs. 76
XD Mud Flaps	Pgs. 76

ANCHORING



COLUMBIA RIVER EDITION™
BREAKAWAY RIVER ANCHORS



Fish Fighter™ anchors (Patent Pending) were designed for those of us who use anchoring as a way to successfully fish in rivers with big currents. Being able to precisely locate your boat in the exact spot where fish travel is paramount when you are targeting big fish. After years of fishing the Columbia River using traditional rocker-style anchors and being frustrated when they would not consistently hold, we set out to design the ultimate anchor. The result is the Fish Fighter™ Columbia River Edition™ anchors. Our anchors hold when others won't -- due to our innovative Grouser Flukes™ that are designed to claw at gravel, cling to rocks, and penetrate hard river-bottoms.

The Fish Fighter™ anchor uses a simple break-free system that will help you easily retrieve the anchor if it becomes fouled. This anchor is coated in our galvanized finish for 40 lb., 32 lb., and 26 lb. models, tuff coat black paint for 16 lb. models, and come with our 100% money-back guarantee. For those who are anchoring in rivers with clay or smooth bottoms like the Rogue River, try our optional Bolt-On Anchor Spades™ add-on. These Anchor Spades act like shovel heads, and will penetrate the bottom -- and really bury the anchor.

If you are ready to start fishing instead of wasting time trying to anchor, make the investment in a Fish Fighter™ anchor -- it's the only anchor you will ever need. We guarantee it!

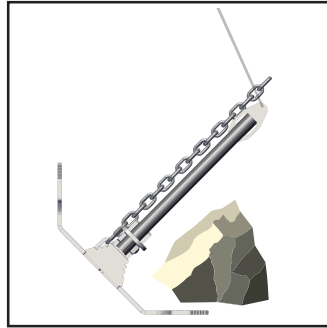
- Grouser Fluke System That Will Claw At Gravel, Cling To Rocks And Penetrate Hard River Bottoms.
- Made From Steel
- Break-Free System That Will Help You Retrieve The Anchor If It Becomes Fouled
- Galvanized And Tuff Coat Black Paint Finish
- Made In Idaho, USA
- 100% Money-Back Guarantee

Break Free System

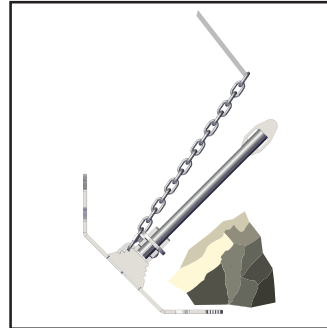
Having a break free anchor system is nothing new, but what is new is the way we used our computers to design the perfect shape of the chain slide mechanism to ensure that when the breakaway system is used, the anchor will pull out at the optimum angle. Our Columbia River Edition™ Anchors have a chain attached to our slide mechanism at the base of the anchor. The other end of the chain is zip-tied to the anchor shaft. You can control the amount of force it takes to engage the break free system by the amount of zip ties you use on the anchor. You attach your anchor rope to the loose end of the chain. In the event to anchor becomes fouled you can break the zip tie free causing the anchor to now be lifted by our slide mechanism



Anchor has become fouled



Break the zip-ties



Anchor can now be retrieved



Grouser Fluke System™

This is the heart and soul of our Columbia River Edition™ Anchors. We looked to several industries when we designed our FFP Grouser Fluke System™. Our goal was to design the absolute best anchor grouser we could. The final result is our FFP Grouser Fluke System™.

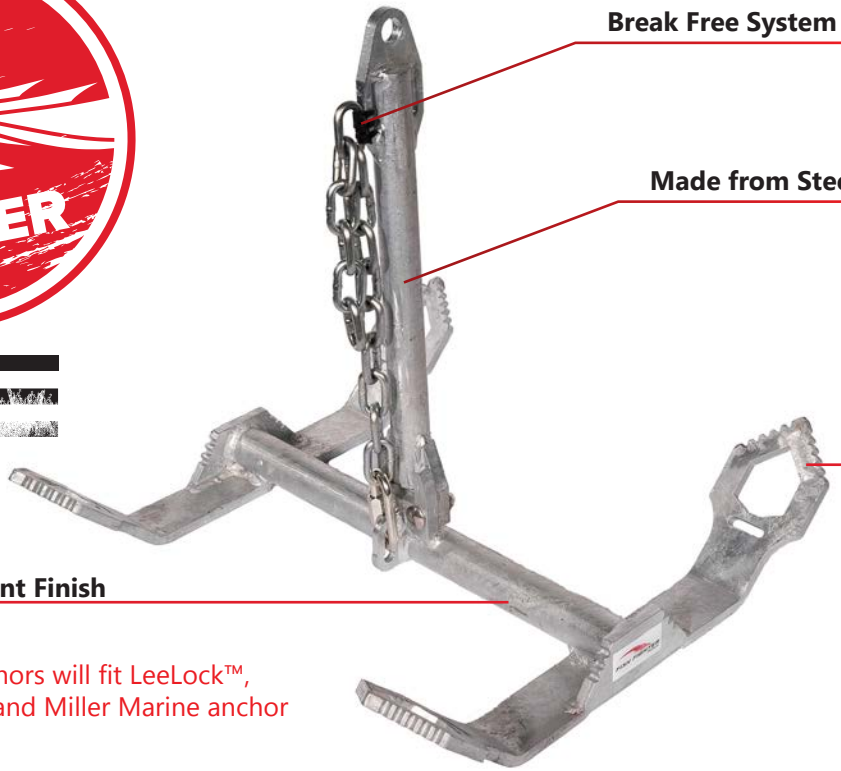
- Serrations On The Fluke: Much Like The Serrations On A Knife Help You Cut Through Tough Items. The Serrations On Our Anchor Tip Really Help The Anchor To Penetrate Tough River Bottoms And Claw At Gravel.
- The Overall Shape Of The Fluke: We Used 3-D Computer Animations To Design The Ultimate Point Shape For Maximum Penetrating And Holding Power.
- Hole In Fluke: The Open Hole In Our Fluke Is Designed To Grab Rocks On The River Floor To Help You Anchor Fast. When Anchoring In Sandy Areas, The Hole Allows Sand To Ooze Through It Allowing The Anchor To Penetrate Faster.
- Bolt Holes: We Designed Into Each Anchor A Slotted Bolt Hole So You Can Easily Install Our Option FFP Anchor Spades To Get The Ultimate Holding Power In Rivers That Have Hard Smooth Bottoms.
- Strength: We Used Computer Simulation To Test The Strength Of Our Anchor Flukes. By Using F.E.A. "Finite Element Analysis" We Were Able To Choose The Optimum Thickness Of Metal To Get The Maximum Holding From The Lightest Material



BREAK-AWAY ANCHORS



**MADE IN
USA**



Break Free System

Made from Steel

Grouser Fluke System™

- *Penetrates Hardest River Bottoms*
- *Self bury design*
- *Serration Claw*
- *Cuts Through Debris*
- *Clings to Rocks*

**Galvanized And
Tuff Coat Black Paint Finish**

- Our "FIXED" Anchors will fit LeeLock™, Anchor-Caddie, and Miller Marine anchor locking systems

PART #	DESCRIPTION
ITD5000-GLV	Galvanized Breakaway Anchor 40 lbs. (For boats 30' and under 8,000 lbs.)
ITD5000	Tuff Coat™ Black Breakaway Anchor 40 lbs. (For boats 30' and under 8,000 lbs.)
ITD5015-GLV	Galvanized Breakaway Anchor 32 lbs. (For boats 24' and under 6,000 lbs.)
ITD5015	Tuff Coat™ Black Breakaway Anchor 32 lbs. (For boats 24' and under 6,000 lbs.)
ITD5030-GLV	Galvanized Breakaway Anchor 26 lbs. (For boats 19' and under 4,000 lbs.)
ITD5030	Tuff Coat™ Black Breakaway Anchor 26 lbs. (For boats 19' and under 4,000 lbs.)
ITD5045	Tuff Coat™ Black Breakaway Anchor 16 lbs. (For boats 15' and under 2,000 lbs.)



40 lbs.
ITD5000-GLV

32 lbs.
ITD5015-GLV

26 lbs.
ITD5030-GLV

16 lbs.
ITD5045

FOLDING BREAK-AWAY ANCHORS



MADE IN USA

Galvanized And Tuff Coat Black Paint Finish

Grouser Fluke System™

- Penetrates Hardest River Bottoms
- Self bury design
- Serration Claw
- Cuts Through Debris
- Clings to Rocks

Break Free System

Made from Steel

Folding Handle/Shank

- Folds down for easy storage and transport

Locking Collar

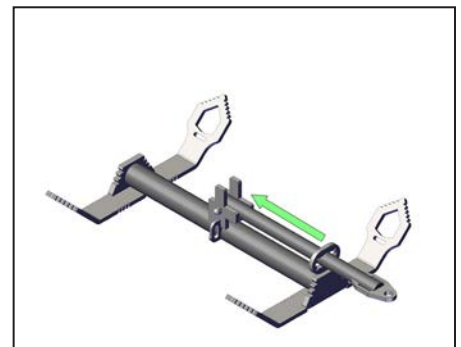
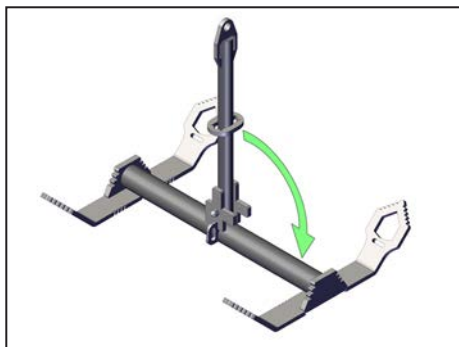
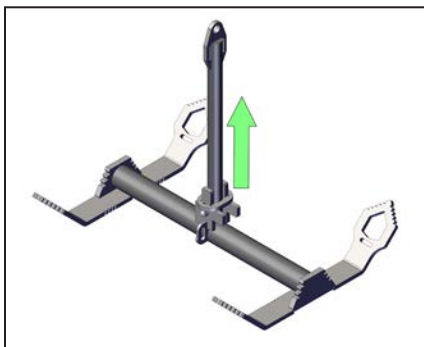
- Locks Folding Handle/Shank in deployed or storage position

Easy Transport/Storage



PART #	DESCRIPTION
ITD5006-GLV	Galvanized Folding Breakaway Anchor 40 lbs. (For boats 30' and under 8,000 lbs.)
ITD5006	Tuff Coat™ Black Folding Breakaway Anchor 40 lbs. (For boats 30' and under 8,000 lbs.)
ITD5021-GLV	Galvanized Folding Breakaway Anchor 32 lbs. (For boats 24' and under 6,000 lbs.)
ITD5021	Tuff Coat™ Black Folding Breakaway Anchor 32 lbs. (For boats 24' and under 6,000 lbs.)
ITD5036-GLV	Galvanized Folding Breakaway Anchor 26 lbs. (For boats 19' and under 4,000 lbs.)
ITD5036	Tuff Coat™ Black Folding Breakaway Anchor 26 lbs. (For boats 19' and under 4,000 lbs.)
ITD5051	Tuff Coat™ Black Folding Breakaway Anchor 16 lbs. (For boats 15' and under 2,000 lbs.)

With our folding design, this anchor can easily be stowed out of the way when not in use. Fish Fighter™ anchors were designed for those of us who use anchoring as a way to successfully fish in rivers with big currents. Being able to precisely locate your boat in the exact spot where fish travel is paramount when you are targeting big fish.

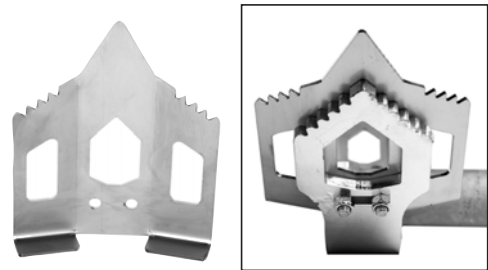
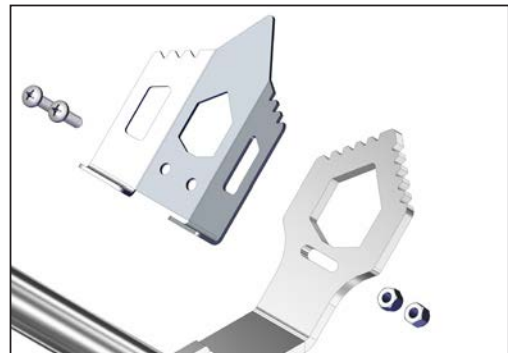


ANCHOR SPADE KITS



The Patent Pending Fish Fighter™ Anchor Spades are designed to bolt onto your Fish Fighter™ (Columbia River Edition™) Anchors. We designed these spades to help those who fish in rivers that are difficult to hold in, due to an all-sand/gravel or all-clay bottom. These bolt-on spades will really dig in and plow up ground like the head of a shovel. One look at the penetrating point and serrated gravel grousers you can see how aggressive these spades will be at grabbing the bottom of any river, lake, or seabed. The kit includes (4) FFP Anchor Spades, and stainless steel mounting hardware. Made in the USA and comes with the Fish Fighter™ 100% Money-Back Guarantee.

- Made From Marine-Grade Stainless Steel
- **ITD5067** Fits 40 lbs. Breakaway River Anchors
- **ITD5296** Fits 32lbs. & 26 lbs. Breakaway River Anchors
- Includes S.S. Mounting Hardware
- Penetrating Points
- Shovel Head Design
- Serrated Gravel Grousers
- Sold 4 Per Set



PART #	DESCRIPTION
ITD5296	Anchor Spade Kit includes (4) Stainless Steel Anchor Spades & S.S. Mounting Bolts. Fits 26lb & 32lb Columbia River Edition Anchors™
ITD5067	Anchor Spade Kit includes (4) Stainless Steel Anchor Spades & S.S. Mounting Bolts. Fits 40lb Columbia River Edition Anchors™

KWIK PULL ANCHOR RETRIEVER



The Fish Fighter™ Kwik-Pull Anchor Retriever was designed by the crew at Fish Fighter™ to be easily installed on your anchor line after you set your anchor out. Our simple rope channel system and one-way locking device allows you to snap the Kwik-Pull onto your anchor line after the anchor is deployed.

Traditional brands of anchor pullers require you to install your anchor rope through the puller before deploying the anchor. This is very dangerous, because the anchor rope is whizzing through the puller in your hand while your anchor is falling. With the Fish Fighter™ Kwik-Pull Anchor Retriever, you can deploy your anchor -- and after everything is set, you just need a little slack in the anchor line to snap the Kwik-Pull Anchor Retriever on the anchor line. It's really that easy. The Kwik-Pull Anchor Retriever is made from marine-grade billet aluminum, has an anodized finish, and works great in fresh or salt water. Our innovative Locking System allows you to use ropes from 1/4" all the way up to 1/2" in diameter. We make this item right here in Idaho and give it the Fish Fighter™ 100% Money-back guarantee. To learn more about how to use the Kwik-Pull Anchor Retriever, please watch our video.

- Can Be Easily Installed On A Set Anchor Line
- Designed For Fresh Or Salt Water
- Lightweight
- Made In Idaho, USA
- 100% Money-Back Guarantee
- Great For Pulling Crab And Shrimp Pots
- Works With 1/4" To 1/2" Rope

1. Slide anchor rope into rope channel of the Kwik Pull Anchor Retriever



2. Open the rope cam lock



3. Loop anchor rope over lip into rope channel



4. System is now ready to be deployed



PART #	DESCRIPTION
ITD5100	Fish Fighter™ Kwik Pull Anchor Retriever (Includes Quick Link)

ANCHOR BUOYS

We really like the Taylor Made® Buoys because the fender ends are made from injection molded plastic. This gives us a great place to drill a hole and install our swiveling eyelet so you can connect your Kwik Pull Anchor Retriever directly to the buoy. These Taylor Made® Tuff End Buoys features the patented Tri-Valve giving you options for inflating the buoy. You can just blow high-pressure air directly into the one-way valve or you can use a football style needle and pump. Note that we recommend a max inflation of 2 PSI.

- Tuff End Fender Includes FFP Swiveling Eyelet
- Orange In Color With Black Tuff End
- Max Inflation 2Psi
- Designed For Commercial Fishing Use
- 100% Money Back Guarantee

ITD5339

- **15" Diameter** And 47" In Circumference
- 65 lbs. Of Buoyancy

ITD5340

- **18" Diameter** And 57" In Circumference
- 112 lbs. Of Buoyancy



ITD5339 15" Anchor Buoy

PART #	DESCRIPTION
ITD5339	15" Anchor Buoy for 20 to 30 lbs. Anchors Includes Swiveling Eye Bolt
ITD5340	18" Anchor Buoy for 31 to 40 lbs. Anchors Includes Swiveling Eye Bolt

ANCHOR RETRIEVAL SYSTEMS

We created this Anchor Retrieval Kit by combining our Kwik Pull Anchor Retriever and your choice of 15" Buoy or 18" Buoy. This kit is perfect for retrieving anchors.

Anchor Retrieval System includes:

- (1) Taylor Made® Buoy (15" or 18" buoy)
- (1) FFP Kwik Pull Anchor Retriever



PART #	DESCRIPTION
ITD5341	Anchor Retrieval System. Includes 15" Buoy and Kwik Pull Perfect for 20 to 30 lbs. Anchors
ITD5342	Anchor Retrieval System. Includes 18" Buoy and Kwik Pull Perfect for 31 to 40 lbs. Anchors

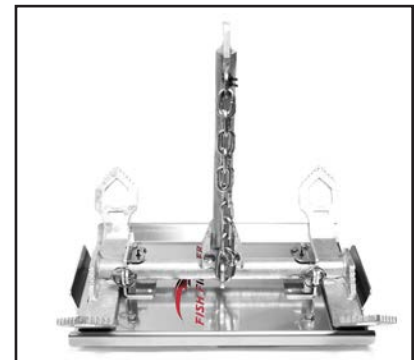
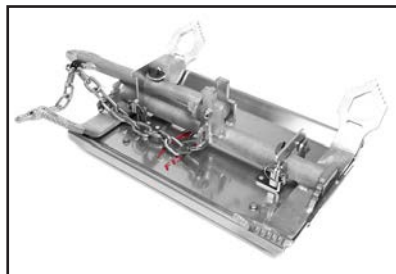
DECK MOUNT ANCHOR NEST



We designed our Deck Mount Anchor Nest to securely hold your anchor away from the bow of your boat. We developed this anchor holder for several reasons. The 1st reason is that when your anchor hangs off the bow of your boat it can make getting onto your boat from shore a lot more difficult. Also for those of us who tie up to shores with steep banks, having your anchor on the bow will cause problems as waves hit your boat and the boat goes up and down your anchor will grate against the shore. Both of those situations can be very annoying.

With the Deck Mount Anchor Nest you can now mount your anchor away from the front of your boat and in a more sensible location. With our flat design, you can easily mount your Deck Mount Anchor Nest to the side of your bow, under a seat or below deck. No matter where you mount it, your anchor will be secure and safe. The Deck Mount Anchor Nest is designed to securely hold the Fish Fighter™ Columbia River Series™ Anchors. We assure you that your anchor will be locked into position and will not move or bounce once it is secured in the Deck Mount Anchor Nest. Another great feature is that our Deck Mount Anchor Nest is lockable, no more fears of getting your anchor stolen. You can install a pad-lock if you want, or you can just use the included locking clips, either way your anchor is secured. This Deck Mount Anchor Nest is designed to hold either the FFP 26LB or 32LB Columbia River Edition™ Anchors. Made from marine-grade aluminum, this locker will last for generations to come and with the laser cut Fish Fighter™ logo it will also look good.

- Holds 26 lbs. And 32 lbs. Fish Fighter™ Columbia River Edition™ Anchors
- Made From Marine-Grade Aluminum.
- Can Be Pad-Locked (Lock Is Not Included)
- Locking Clips Included
- Rubber Bumpers Cushion The Anchor
- Includes Stainless Steel Mounting Hardware
- Made In USA
- 100% FFP Money Back Guarantee



PART #	DESCRIPTION
ITD5081	<p align="center">Deck Mount Anchor Nest Holds 26-32 lbs. Columbia River Edition™ Anchors</p>

BOW MOUNT ANCHOR NESTS



We designed this anchor nest to be an affordable option for the recreational fisherman. We believe these anchor nests will outperform any other anchor nest on the market. Our Bow Mounted Anchor nests will hold our 26, 32, and 40 Lb. Fish Fighter Columbia River Edition™ Anchors along with most other similar styles of anchors.

Our Bow Mounted Anchor Nests mounts securely to the bow using the supplied hardware and is built out of Marine Grade aluminum alloy.

Anchor retrieval is made easy from almost any angle with a self-centering 4" V Roller that actually works to help you get the anchor onto the bow. We also incorporated our locking feature that not only holds your anchor in place, it can be pad-locked to prevent theft. Take a good look at our solid machined anchor nest guides and rope guides that will prevent your anchor ropes for getting cut or chaffed. When you compare our features, you can quickly see why we believe our anchor nest design to be the best out there.

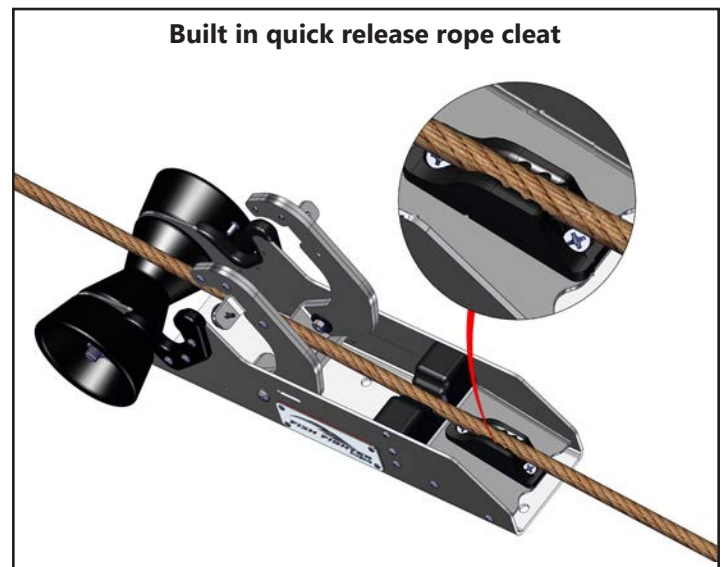
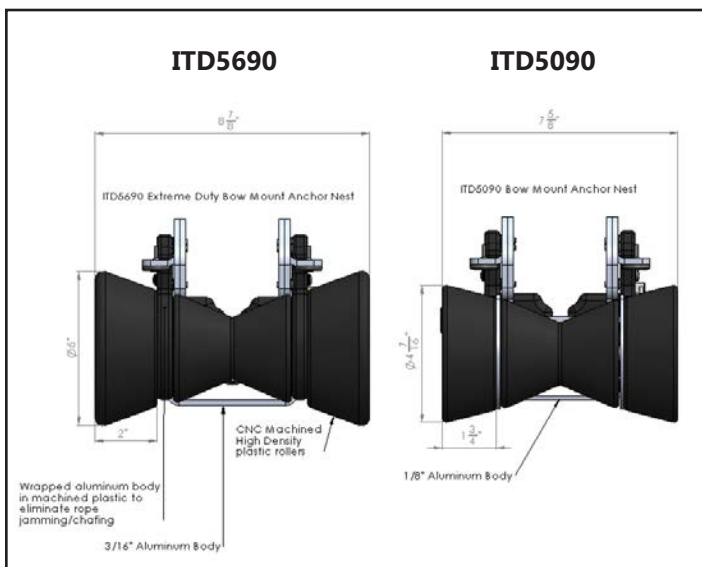
Sold Each and comes with mounting Hardware.

NOTE: Will Hold Most Brands of Columbia River Style Anchors.



ITD5690
Extreme Duty XD Bow Mount Anchor Nest

ITD5090
Bow Mount Anchor Nest



- Patent Pending Design
- Mounts to bow with included fasteners
- Rear bump stop keeps anchor shaft off bow
- Holds 26, 32, and 40Lb Fish Fighter Anchors and other Brands of Columbia River Style Anchors
- Fish Fighter Custom Locking Device prevents theft and holds anchor secure in the roughest of waters
- Self Centering Roller guide helps you to easily retrieve anchor from almost any angle
- Marine grade plastic anchor rests
- Built in, quick release rope cleat
- Made from marine grade aluminum
- Designed for the Recreational Fisherman who wants a reliable Anchor Nest
- Made in USA with Extreme Pride
- 100% Money Back Guarantee
- (Note) Anchoring a vessel can be very dangerous, be sure to follow all Coast Guard Recommendations

PART #	DESCRIPTION
ITD5090	Bow Mount Anchor Nest for 26, 32, and 40Lb Anchors
ITD5690	Extreme Duty XD Bow Mount Anchor Nest



ECO-FRIENDLY™
DRIFT BOAT
&
LAKE ANCHORS

The Fish Fighter™ Eco-Friendly™ Drift Boat and Lake Anchors are a true innovation, in that your anchor weight can be adjusted. Adjusting the weight of the anchor is as simple as adding or removing our innovative FFP Weight Plates™. This lead-free Eco-Friendly™ anchor lets you easily adjust your anchor weight based on water flows to achieve that perfect drift. The Fish Fighter™ Drift Boat Anchor is lead-free and environmentally friendly. Stop leaving lead streaks on the bottom of our rivers and streams by switching to the Fish Fighter™ Drift Boat Pyramid Anchor. This anchor also works well for lake anchoring, and is easy to store out of the way by using the optional Fish Fighter™ Anchor Nest. (Note, We ship this anchor in bare, uncoated steel and will develop a light surface rust). In an effort to keep pollutants out of the water, we do not recommend painting of the anchor.

This anchor is built right here in the USA by the crew at Fish Fighter™ Products, and has our 100% Money-Back Guarantee.

FFP Variable Weight System™

The FFP Variable Weight System™ allows you to adjust the weight of your FFP Drift Anchor or Lake Anchor. We designed a series of plates in varying weights that will slide onto the Weight Handle. Adding or removing weight is as simple as adding or removing a Weight Plate. By making our weight plates out of steel they are more environmentally friendly than using lead. We encourage all anglers to stop leaving lead streaks on our river bottoms and switch to Eco-Friendly™ steel FFP Anchors. This can be very important in drift fishing so you can adjust the weight of your anchor to match water flows, achieving that perfect drift.



Multiple Assembly Options

The FFP Variable Weight System™ allows you to stack the weight plates in any order you want to get the perfect drift for your application.



**Eco-Friendly™ Lake Anchor
ITD5187**



**Eco-Friendly™ Drift Boat Anchor
ITD5203**



**Eco-Friendly™ Drift Boat Anchor
ITD5202**

PART #	DESCRIPTION
ITD5187	Eco-Friendly™ Lake Anchor. All Steel Anchor with FFP Variable Weight System. Adjustable From 10 to 45 lbs.
ITD5203	Eco-Friendly™ Drift Boat Anchor. All Steel Anchor with FFP Variable Weight System™. Adjustable From 10 to 30 lbs.
ITD5202	Eco-Friendly™ Drift Boat Anchor. All Steel Anchor with FFP Variable Weight System™. Adjustable From 10 to 20 lbs.

DRIFT BOAT ANCHOR NEST



We designed this Drift Boat Anchor Nests to hold your Fish Fighter™ Drift Boat Anchors. These anchor nests are the perfect way to secure your anchor. The Fish Fighter™ Products Drift Boat Anchor Nest is built right here in the USA. Made from Marine Grade Aluminum it will last for decades if not century's. With the Fish Fighter™ Drift Boat Anchor nest you can lock your anchor in and keep it safe while traveling down the road, or those nights when you leave your boat in a motel parking lot. We wanted you to have lots of mounting choices so we include different mounting brackets with your Anchor Nest. You can mount the Anchor Nest on your trailer tongue, or mount it to the transom. If you don't want to bolt the Anchor Nest to your boat or trailer, we also include mounting feet so you can easily store the Anchor Nest under a seat or just set it on the Floor of the Boat. Many of our customers will mount one Anchor nest to their trailer tongue and one to the transom of their boat. That way the anchor is not adding weight to the transom causing possible damage to your boat when traveling down the road. Wherever you mount your Fish Fighter™ Products Drift Boat Anchor Nest your Anchor will be safe and secure.

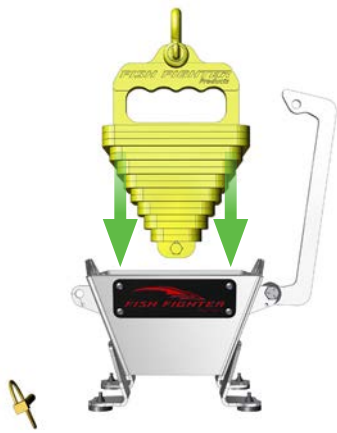
- Lockable
- Multiple Mounting Locations
- Keeps Your Drift Boat Anchor Secured
- Made From Marine-Grade Aluminum
- Made In The USA



Each Drift Boat Anchor Nest includes:

1. Lockable Anchor Nest With Locking Clip. (Pad-Lock Not Included)
2. Trailer Mounting Brackets And Bolts For Trailers With Max Trailer Frame Of 2"X 4"
3. Deck/Floor Mount Brackets With Rubber Feet Pads (Can Also Be Bolted To Flooring)
4. 60 Degree Angle Brackets For Angled Transoms
5. 90 Degree Brackets For Straight Transoms

1. Place Anchor in Nest



2. Rotate Arm



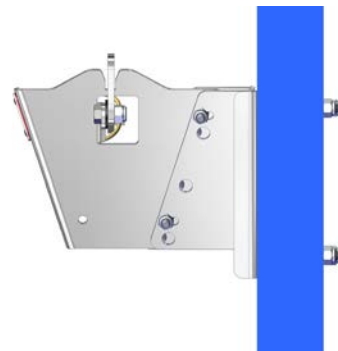
3. Lock with Lynch Clip



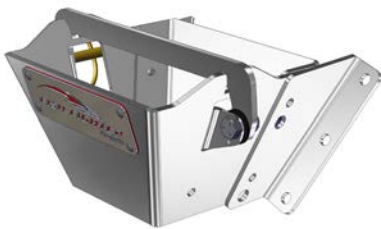
**Deck/Floor Mount Brackets With Rubber Feet Pads
(Can Also Be Bolted To Flooring)**



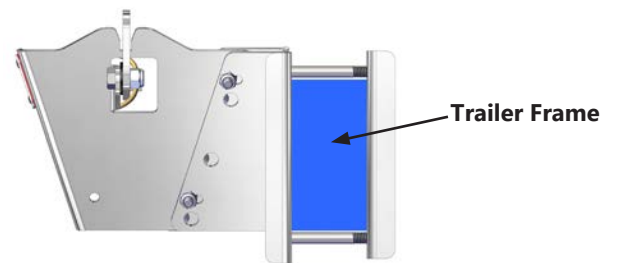
90 Degree Brackets For Straight Transoms



60 Degree Angle Brackets For Angled Transoms

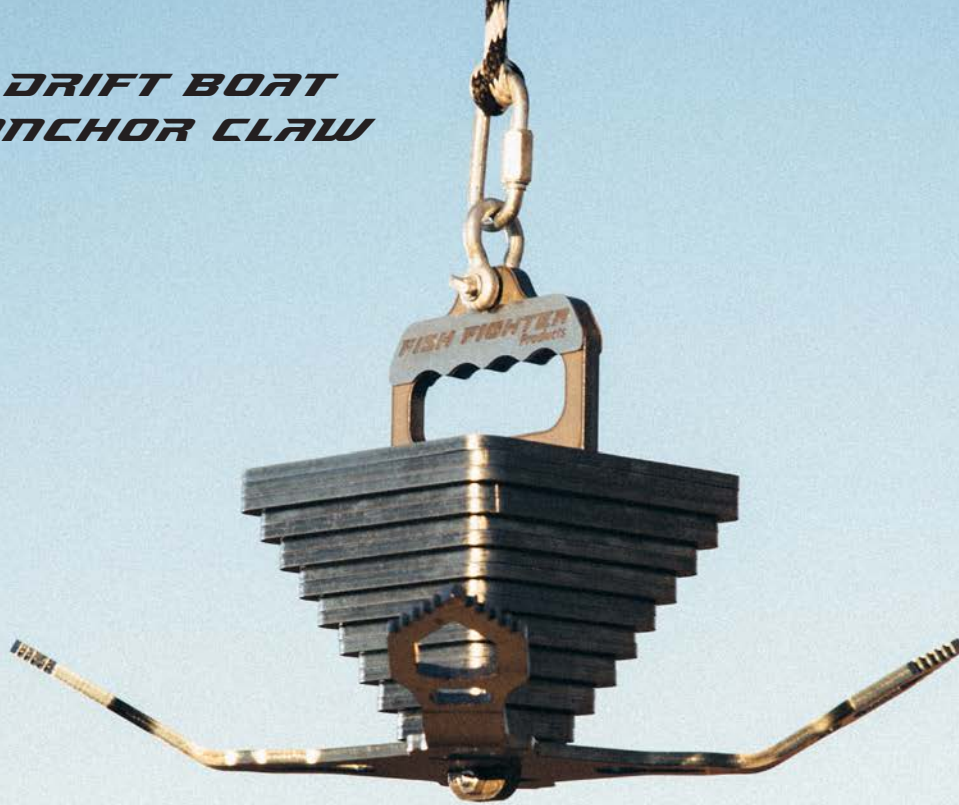


Trailer Mounting Brackets And Bolts



PART #	DESCRIPTION
ITD5270	Drift Boat Anchor Nest for 10-45 lbs. Angled Transom Mount, Straight Transom Mount, Floor Mount or Trailer Mount.
ITD5269	Drift Boat Anchor Nest for 10-30 lbs. Angled Transom Mount, Straight Transom Mount, Floor Mount or Trailer Mount.
ITD5210	Drift Boat Anchor Nest for 10-20 lbs. Angled Transom Mount, Straight Transom Mount, Floor Mount or Trailer Mount.

DRIFT BOAT ANCHOR CLAW

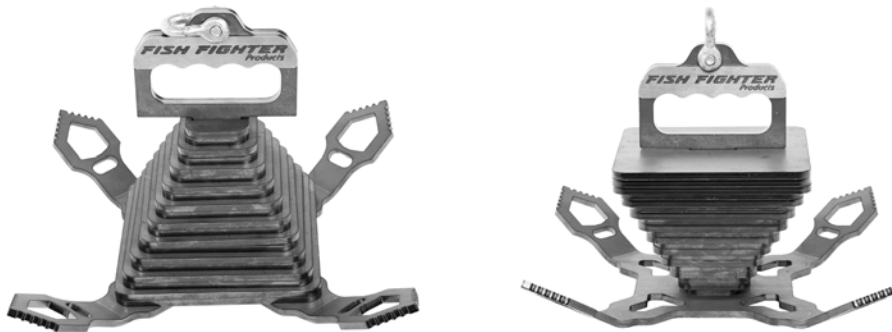


The Drift Boat Anchor Claw is a perfect addition to any of our Eco-Freindly™ Drift Boat and Lake Anchors . If you want added extreme holding power to your Fish Fighter™ Drift Boat or Lake Anchor, use this anchor claw. Installation is easy -- just remove one of the FFP Weight Plates™ from your Drift Boat or Lake Anchor, and replace it with the Drift Boat Anchor Claw. You can create that perfect-shaped anchor for your needs depending on where you place the claw. The Drift Boat Anchor Claw is made in the USA, and has our exclusive 100% Money-Back Guarantee.

- Fits All Drift Boat And Lake Anchors With FFP Weight System™
- Made From Steel
- Has FFP Grouser Tips



FFP Variable Weight System™ Mounting Options



FFP Grouser Tips



PART #	DESCRIPTION
ITD5205	All Steel Anchor Claw Fits Drift Boat and Lake Anchors.

FLOATING ANCHOR ROPE BAG



We started with a blank slate of paper when we designed our Fish Fighter Anchor Rope Bag™. We talked with anglers who have spent their life fishing the hog lines of the Columbia River and incorporate their ideas into this bag. We started by using breathable mesh material so your wet rope can get air and dry out. We also had reinforcements sewn into the sides so the bag will stand on its own. We then installed a flexible plastic strip around the bag opening so the bag stays open when you are trying to feed rope into the bag and not collapse like other bags. The reinforcements are flexible enough so the bag can still be rolled up or stuffed into tight spaces.

Two squeeze release buckles have been added on the top so you can easily clip the bag shut. We didn't stop there, we also included 2" of flotation foam in the bottom of the bag, so it will float when you need to drop off anchor and fight a fish.

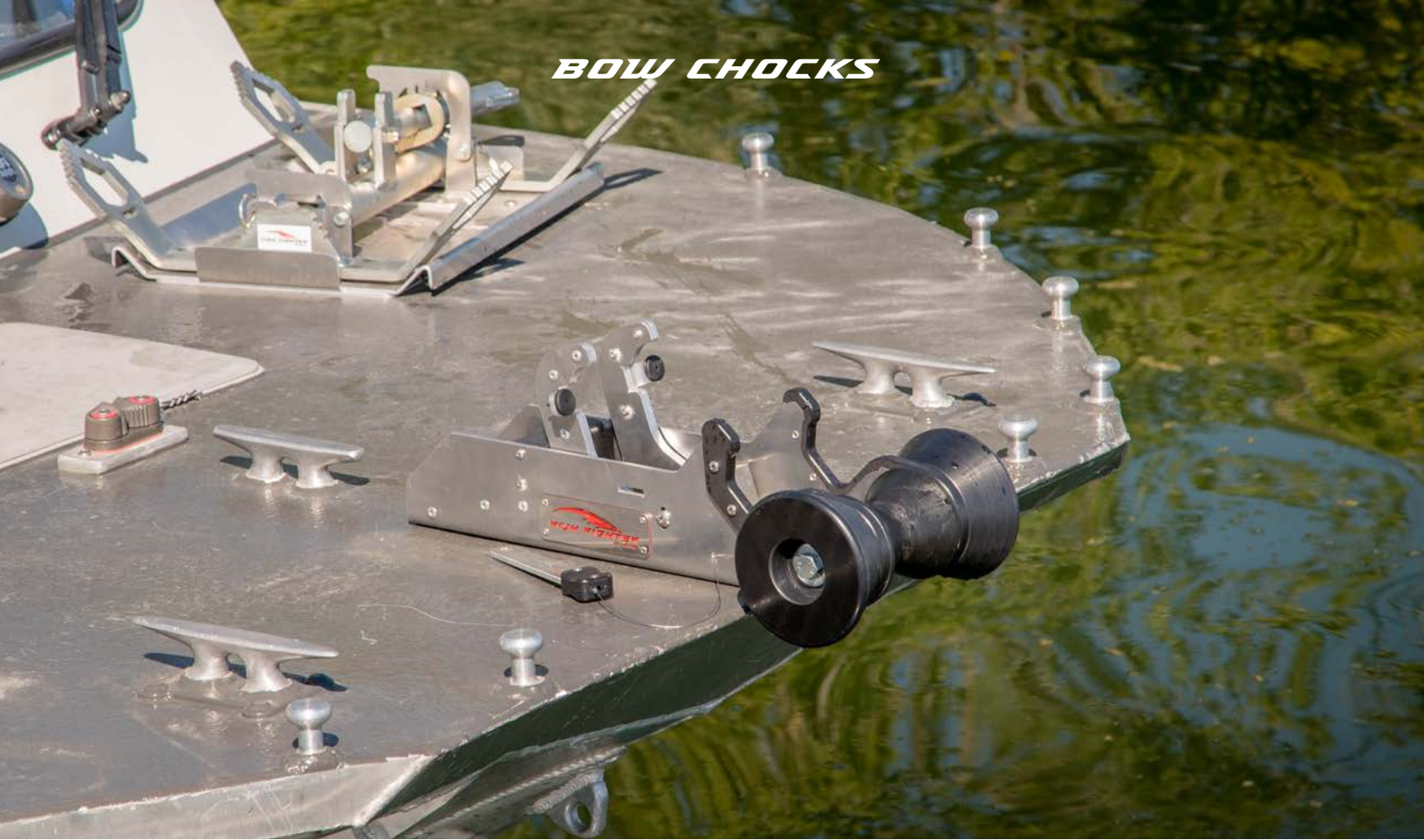
There is also an extra D-Ring sewn on the outside of the bag so when you want to add a marker buoy, you will have a place to attach it. But wait, there's more! We also designed a custom rope tie off cleat that is an extremely fast way to tie off your anchor line to the bag. Last but not least, we installed two nice carry handles in the top of the bag. This is the absolute finest anchor rope bag made. We're so confident you will love it. We offer a 100% Money-Back Guarantee.

- Made From Marine Grade Polyester Woven Mesh.
- UV Resistant, Mildew And Stain Resistant
- Self-Standing Design
- Reinforced Bag Opening
- FFP Custom Tie Off Cleat
- (2) Squeeze Release Buckles To Close Top Of Bag
- D-Ring For Mounting An Extra Buoy
- Rope Grommet On Bottom Of Bag
- Removable Flotation Foam Installed In Bag
- Made In USA
- 100% Money Back Guarantee
- Holds Up To 500Ft Of 3/8" Rope
- Holds Up To 330Ft Of 1/2" Rope



PART #	DESCRIPTION
ITD5334	Floating Anchor Rope Bag with Self Standing Sides and Reinforced Opening

BOW CHOCKS



The Fish Fighter Products™ Bow Chocks is a must for any serious anchor fisherman. By using our Bow Chocks, you can “Chock” your boat over to Port or Starboard while on anchor. It’s your choice on how many you want to use. These bow chocks have a compact design that takes up very little bow space. They have a sleek, clean aluminum look with recessed bolt heads and easily mount to nearly any surface. Each Bow Chock is CNC machined to allow the rope to slide around without chaffing while still holding it down to the boat and in the desired position. Our Bow Chocks also work great as a grab handle and extra method to cleat your boat off. Each Bolt on Bow Chock Comes with a 3/8” Stainless Steel Mounting Bolt and also comes with Washers.



Bolt On



Weld On



- Mounts to Any Aluminum Surface
- Marine Grade Aluminum
- CNC Machined to eliminate rope chafing
- Compact Size

PART #	DESCRIPTION
ITD5300	Bolt On Bow Chock
ITD5301	Weld On Bow Chock

ANCHOR ROPE

Fish Fighter™ 3875 Solid Braid Anchor Rope

When you are looking for a quality anchor rope, it can be kind of confusing because of the different braids and materials out there. We can put your mind at ease when you purchase our Fish Fighter™ FFP3875 Solid Braid Anchor Rope. This Anchor rope is strong yet lightweight and soft. The shock-absorbing elasticity of cord allows it to withstand great strain, while its solid-braided construction stays round. This is the rope we use!

- 3/8" Diameter w/ 2,800Lb Break Strength
- Solid Braid Construction
- Mildew And Rot Resistant
- Good Abrasion Resistance
- Flexible And Easy To Knot
- Fish Fighter™ Money-Back Guarantee



PART #	DESCRIPTION
ITD5335	3875 Solid Braid Anchor Rope 3/8 x 200 ft. (2,800lb Break Strength)
ITD5336	3875 Solid Braid Anchor Rope 3/8 x 300 ft. (2,800lb Break Strength)
ITD5527	3875 Solid Braid Anchor Rope 3/8 x 500 ft. (2,800lb Break Strength)

Fish Fighter™ Ultimate Double Braid Anchor Rope

When you are looking for a premium quality anchor rope, this is it. Our FFP Ultimate Double Braid 3/8" Anchor Rope is the finest rope we have used. This Anchor rope is made from the highest quality UV stabilized yarns and has a tracer line to make it easily identifiable. This premium Double Braided Nylon rope is very strong, yet lightweight and soft. The double-braided construction offers superior elongation properties.

- 3/8" Diameter w/ 4,625Lb Break Strength
- Double Braid Construction
- Highly Resistant To Rot And Mildew
- Abrasion Resistant
- Flexible And Easy To Splice
- Fish Fighter™ Money-Back Guarantee



PART #	DESCRIPTION
ITD5337	Ultimate Double Braid Anchor Rope 3/8 x 200 ft. (4,625lb Break Strength)
ITD5528	Ultimate Double Braid Anchor Rope 3/8 x 300 ft. (4,625lb Break Strength)
ITD5338	Ultimate Double Braid Anchor Rope 3/8 x 600 ft. (4,625lb Break Strength)

Fish Fighter™ 500 Solid Braid Anchor Rope

When you are looking for a quality anchor rope, it can be kind of confusing because of the different braids and materials out there. We can put your mind at ease when you purchase our Fish Fighter FFP500 Solid Braid Anchor Rope. This Anchor rope is strong yet lightweight and soft. The shock-absorbing elasticity of cord allows it to withstand great strain, while its solid-braided construction stays round.

- 1/2" Diameter w/ 4,200Lb Break Strength
- Solid Braid Construction
- Mildew And Rot Resistant
- Good Abrasion Resistance
- Flexible And Easy To Knot
- Fish Fighter™ Money Back Guarantee



PART #	DESCRIPTION
ITD5529	500 Solid Braid Anchor Rope 1/2 x 200 ft. (4,200lb Break Strength)
ITD5530	500 Solid Braid Anchor Rope 1/2 x 300 ft. (4,200lb Break Strength)
ITD5531	500 Solid Braid Anchor Rope 1/2 x 500 ft. (4,200lb Break Strength)

TRAYS & STORAGE



RELENTLESS SERIES™ TACKLE TRAYS

We call these Tackle Trays our Fish Fighter™ Relentless Series™ because they were designed for those of you who are relentless in your pursuit of big fish and demand the best in equipment to help you on your quest. Many times you only get 1 shot at that monster fish and since this isn't no practice life, you owe it to yourself to get it right the first time. We designed our Relentless Series™ Trays to be the absolutely best built tackle organization trays on earth. The Relentless Series™ Tackle Trays are perfect for keeping all of your tackle and gear organized and easy to carry. Each tray has pre-drilled hook holders in the top side of each tray so you can hang hooks or lures from the tray side. These trays have adjustable aluminum dividers so you can easily create the perfect compartment size. If you want to install the optional Sinker Sizing Dividers it's very easy to do. We designed the dividers so they won't rattle or come loose while in rough water or just driving down the road. If you want to change divider spacing, all you do is unscrew the tray bottom, once you have the dividers where you want them, just re-install the tray bottom and you're done. All of the fasteners on this tray are made from Marine-Grade Stainless Steel.

The Relentless Series™ Tackle Trays are truly designed to last for generations to come. These trays are perfect for most gunnells and are the perfect size for holding bait sauces, scissors, knives etc.

- Made From ½" Thick Marine Grade Solid Plastic
- Removable "Rattle Proof" Aluminum Dividers
- Rugged Aluminum Bottom With Built In Drain Holes
- Built In Carry Handles
- Hook Holders Along Top Sides Of Tray
- Elevated Foot Design So Air Can Get Under Bottom And Help Keep Tray Dry
- Marine Grade Stainless Steel Fasteners
- Made Here In Idaho USA
- 100% Fish Fighter™ Money Back Guarantee
- Optional Plier Holder ITD5381 Will Work Perfect With This Tray



Relentless Series™ Tackle Tray 6 x 10 (ITD5358) Fully Loaded

Stop Chasing Your Gear And Start Chasing The Fish!

4" Relentless Series™ Tackle Trays



PART #	DESCRIPTION
ITD5385	Relentless Series™ Tackle Tray 4 x 10 (3) Aluminum Dividers
ITD5370	Relentless Series™ Tackle Tray 4 x 16 (5) Aluminum Dividers

6" Relentless Series™ Tackle Trays



ITD5358

ITD5373

PART #	DESCRIPTION
ITD5373	Relentless Series™ Tackle Tray 6 x 10 (3) Aluminum Dividers
ITD5358	Relentless Series™ Tackle Tray 6 x 16 (5) Aluminum Dividers

8" Relentless Series™ Tackle Trays



ITD5372

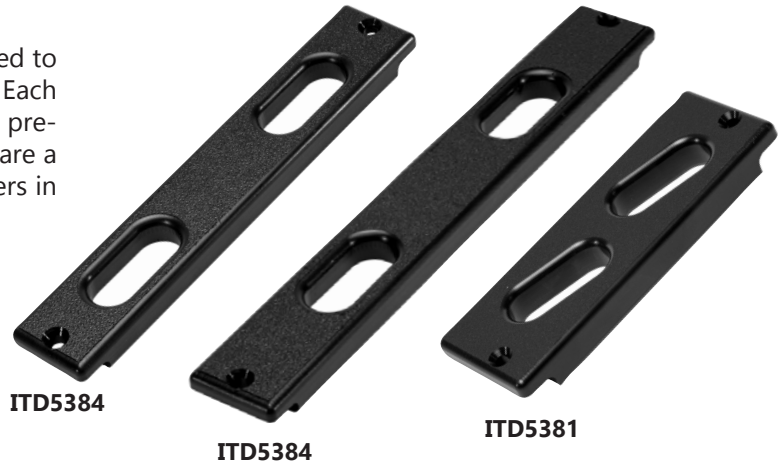
ITD5387

PART #	DESCRIPTION
ITD5387	Relentless Series™ Tackle Tray 8 x 10 (3) Aluminum Dividers
ITD5372	Relentless Series™ Tackle Tray 8 x 16 (5) Aluminum Dividers

Plier Holders

The Fish Fighter™ Optional Plier Holder Mount is designed to work perfectly with your Relentless Series™ Tackle Trays. Each Plier Holder Mount is made from Marine-Grade Plastic, is pre-drilled and comes with mounting screws. These Mounts are a great way to keep your pliers, scissors, and hook removers in an ever ready position.

- Made From ½" Thick Marine-Grade Plastic.
- Install In Seconds Using The Included Fasteners
- Holds Most, Pliers, Scissors & Hook Removers
- Made Here In Idaho By The Fish Fighter Crew
- 100% Money Back Guarantee



PART #	DESCRIPTION
ITD5381	Plier Holder for 4" Wide Storage Tray
ITD5383	Plier Holder for 6" Wide Storage Tray
ITD5384	Plier Holder for 8" Wide Storage Tray



Plier Holder for 8" Wide Storage Tray (ITD5384) Installed

Relentless Series™ Angled Tackle Tray 16" Long

This was the first tray that we ever designed in our Relentless Series™. It's designed for those boats with very narrow gunnel storage areas and limited space. We call these Tackle Trays our Fish Fighter™ Relentless Series™ because they are for those of you who are relentless in your pursuit of big fish and demand the best in equipment to help you on your quest. We designed our Relentless Series™ Trays to be the absolutely best built tackle organization trays on earth. The Relentless Series™ Tackle Trays are perfect for keeping all of your tackle and gear organized and easy to carry. Each tray has pre-drilled hook holders on the top side of each tray so you can hang hooks or lures from the tray side.

- Made From ½" Thick Marine-Grade Solid Plastic
- (5) Removable Rattle-Proof Aluminum Dividers
- Rugged Aluminum Bottom
- Pre-Drilled Hook Holders Along Top Sides Of Tray
- Built-In Carry Handles
- Elevated Foot Design To Help Keep Tray Dry
- Marine-Grade Stainless Steel Fasteners
- Made In Idaho, USA
- Fish Fighter™ 100% Money-Back Guarantee



PART #	DESCRIPTION
ITD5374	Relentless Series™ Angled Tackle Tray 16" Long (5) Aluminum Dividers

RELENTLESS SERIES™ SINKER TRAYS

We developed our Fish Fighter™ Sinker Trays out of a frustration of not being able to keep our round cannonball sinkers organized. It seems that with just a few uses, the numbers on the sinker disappears and it's hard to tell if you have a 5 oz or 6 oz sinker in your hand. With our Sinker Tray and Sinker Divider/Gauge you just find the hole that closest fits your sinker and just drop it into the bin, it's that simple. This Sinker Tray includes (14) interchangeable Sinker Sizing Dividers in .5-.75-1-2-3-4-5-6-8-10-12-16-20-24 oz sizes. We make these dividers out of Aircraft-Grade Stainless Steel so they will last for generations to come. The tray itself is made from ½" thick Marine-Grade Plastic and is machine to exact tolerances on our CNC milling machines. Designed and built to get handed down for generations to come.

- Tray Is Made From Marine-Grade ½" Thick Plastic.
- Dividers Are Made From Aircraft-Grade Stainless Steel.
- Sizes Are Laser-Cut Into Each Divider So They Are Easy To Read
- Each Tray Includes (14) Removable Dividers/Gauges
- Made In Idaho, USA



ITD5566 Relentless Series™ Sinker Tray Angled



Get your sinkers organized today so you can start chasing the fish and not your gear!

4" Relentless Series™ Sinker Tray



PART #	DESCRIPTION
ITD5564	Relentless Series™ Sinker Tray 4 x 16

6" Relentless Series™ Sinker Tray



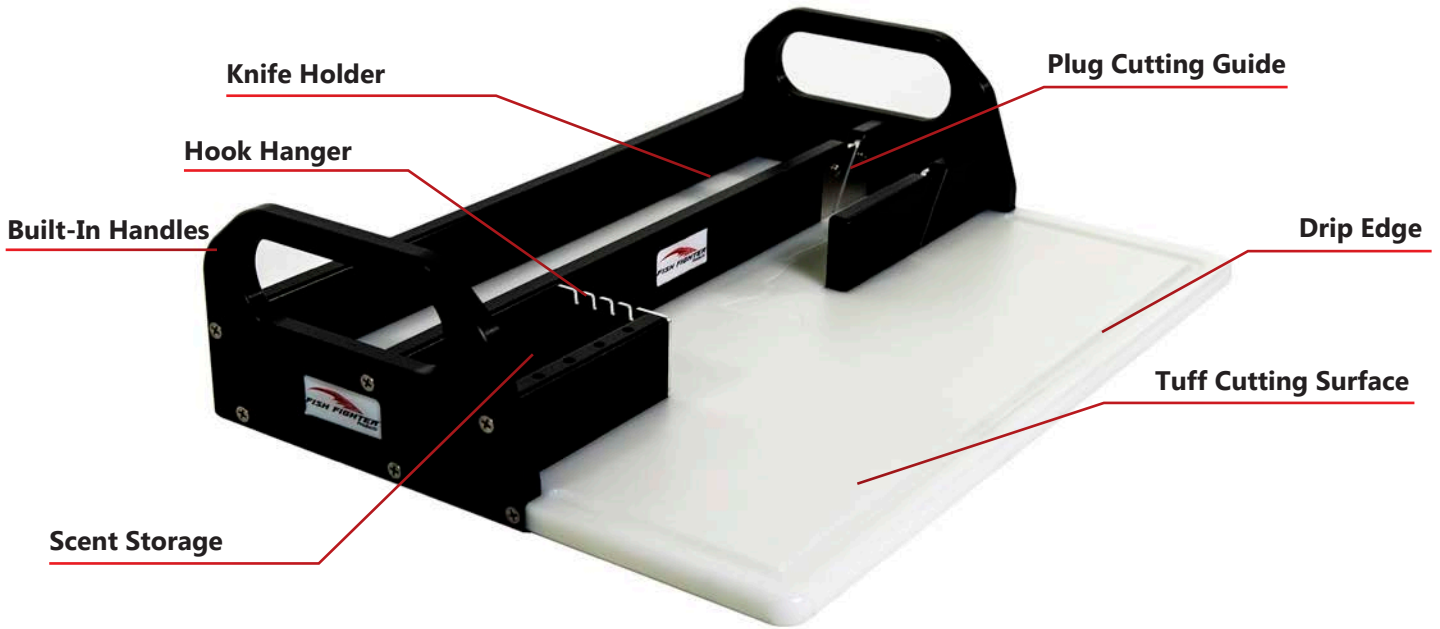
PART #	DESCRIPTION
ITD5565	Relentless Series™ Sinker Tray 6 x 16

Relentless Series™ Sinker Tray Angled



PART #	DESCRIPTION
ITD5566	Relentless Series™ Angled Sinker Tray

BAIT TRAY WITH PLUG CUTTER



Every angler that has ever used the Fish Fighter™ Bait Board has said it is a complete game-changer, and a must-have for anyone serious about fishing with baits. No more trying to find your plug cutter, cutting board, thread, or knives. We incorporated everything into an all-in-one design. We started with an extremely tough cutting board as the base with a machined drip groove, so bait juices won't run off. Built-in carry handles make it easy to move the bait board with everything in it. Storage areas for your knives, magic thread, and bait sauces will always be right where you need them. We didn't stop there; We also designed a built-in plug cutter so you can get that perfect roll on your cut herring. But wait, there's more! We also drilled holes, so you can hang any of those extra hooks that may be floating around while prepping bait. Here's another well-built Fish Fighter™ product that is destined to be in your family for generations to come.

- 17 Wide X 12 Deep
- Made From Marine-Grade Solid Plastic
- Super Tough Cutting Board Surface
- Built-In Plug Cutter For That Perfect Herring Roll
- Built-In Carry Handles
- Built-In Rear Storage Area For Holding Knives



PART #	DESCRIPTION
ITD5442	Bait Tray with Plug Cutter

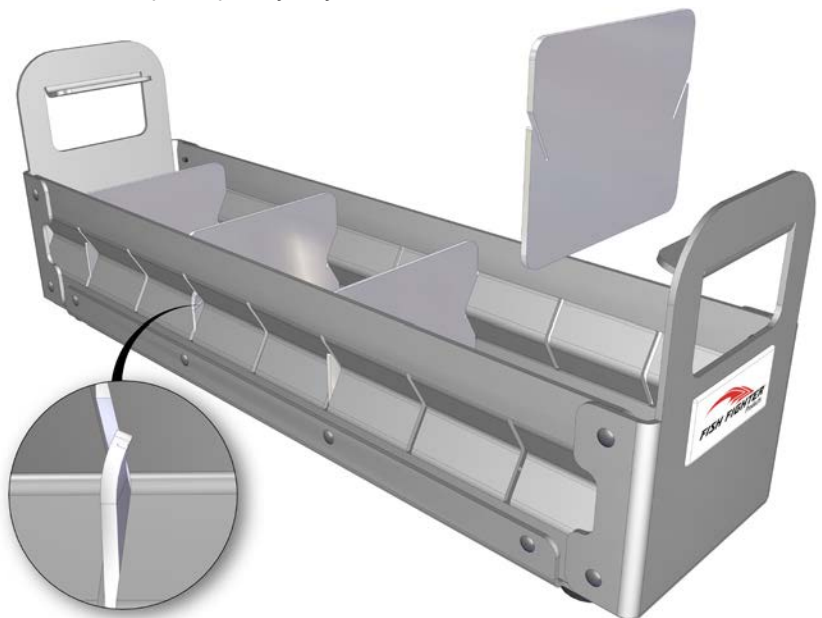
SPORTSMAN'S SERIES™ UTILITY TRAYS



We designed our Sportsman Series™ Utility Trays for all around use. We probably should have called them the “everything series” because they are perfect for keeping everything organized. From Shot Gun Shells to Sinkers, our Sportsman Series™ have you covered. We designed these trays from thick Marine-Grade Aluminum so they could take all the punishment you can dish out. We also include 4 removable anti-rattle dividers with each tray. This is no cheapo foreign imported product. These trays have been designed and built by the Fish Fighter™ crew, right here in Mountain Home Idaho. We feel these trays should last for decades and could become family heirlooms, passed down from one angler to another through the generations. Take the time today to get organized, “After all, this isn’t a no Practice Life”!

- 5-1/2" W X 16" L (I.d.)
- Made From Marine Grade Aluminum
- (4) Removable “Rattle Proof” Aluminum Dividers
- Built In Carry Handles
- Non Marring Rubber Feet Pads
- Elevated Foot Design So Air Can Get Under Bottom And Help Keep Tray Dry.
- Made Here In Idaho USA
- 100% Fish Fighter Money Back Guarantee

Place the aluminum dividers into the divider slots.



Bend over divider tab to lock divider into place.

8" Sportsman's Series™ Utility Tray



PART #	DESCRIPTION
ITD5523	Sportsman's Series™ Utility Tray 8" x 16" (4) Aluminum Dividers

5-1/2" Sportsman's Series™ Utility Tray



PART #	DESCRIPTION
ITD5516	Sportsman's Series™ Utility Tray 5.5"x 16" (4) Aluminum Dividers

4" Sportsman's Series™ Utility Tray



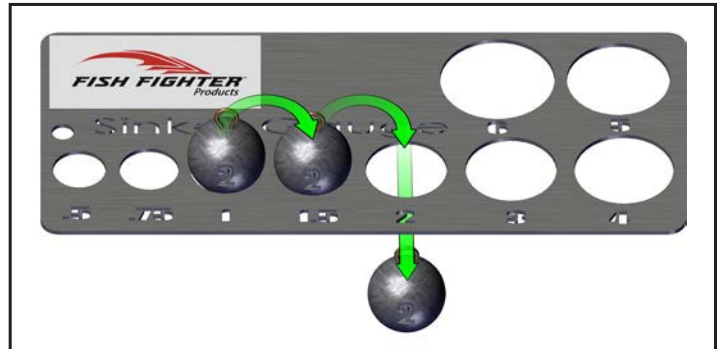
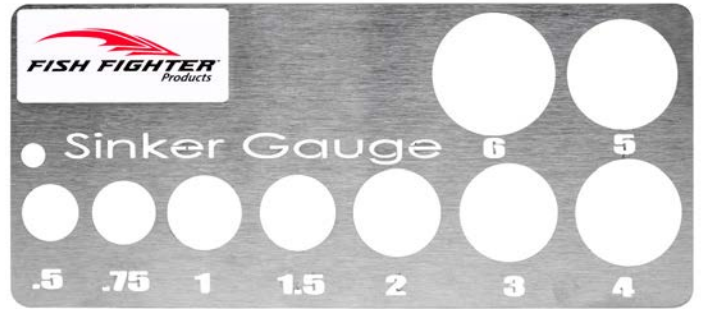
PART #	DESCRIPTION
ITD5249	Sportsman's Series™ Utility Tray 4"x 16" (4) Aluminum Dividers

SINKER SIZE GAUGES

Fish Fighter™ Sinker Size Gauge

The Fish Fighter™ Sinker Gauge was designed to help you easily sort your smaller cannonball-style round lead weights from .5oz all the way up to 6 oz. It's easy to use -- just find the hole size that closest fits your sinker, and you will quickly know what weight sinker you have. This is an absolute must-have for any serious fisherman who wants to know exactly what sinker weight they are using. Made from marine-grade stainless steel, this sizing gauge will last through decades of use. This product also carries the Fish Fighter™ 100% Money-back guarantee.

- Made From Marine-Grade Stainless Steel
- Easy To Use
- Made In Idaho, USA

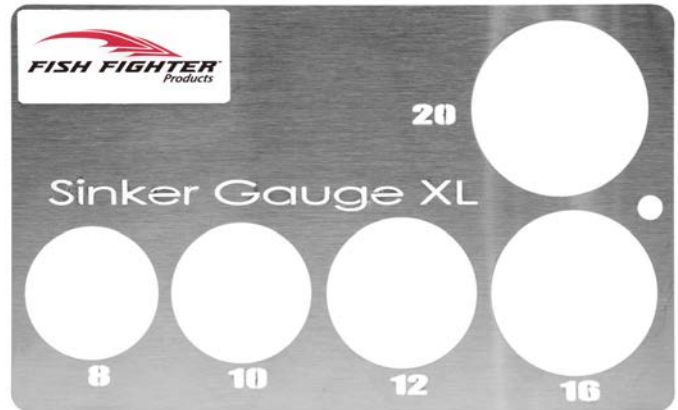


PART #	DESCRIPTION
ITD5075	Sinker Size Gauge - Sizes .5 oz. to 6 oz.

Fish Fighter™ XL Sinker Size Gauge

The Fish Fighter™ XL Sinker Gauge was designed to help you easily sort your larger cannonball-style lead weights from 8oz all the way up to 20 oz. It's easy to use -- just find the hole size that closest fits your sinker and you will quickly know what sinker weight you have. This is an absolute must-have for any serious fisherman who wants to know exactly what sinker weight they are using. Made from marine-grade stainless steel, this sizing gauge will last through decades of use. This product also carries the Fish Fighter™ 100% Money-back guarantee.

- Made From Marine-Grade Stainless Steel
- Easy to Use
- Made in Idaho, USA



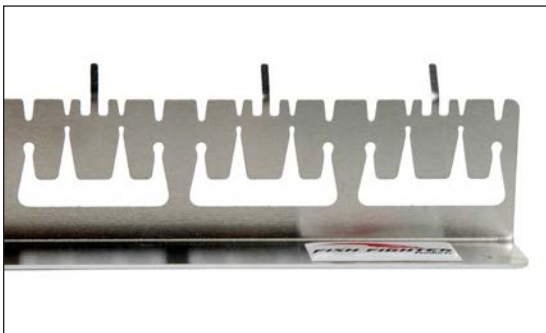
PART #	DESCRIPTION
ITD5086	Fighter XL Sinker Size Gauge - Sizes 8 oz. to 20 oz.

18" WALL MOUNT TACKLE HOLDER



The Fish Fighter™ Wall-Mount Tackle Holder is the perfect way to keep all of your tackle organized and ready to go. At 18" long, this tackle holder is the right size for your boat, cabin, man-cave or workshop. What a great way to display all of your tackle. We designed this mount to accept most size hooks and lures from #2 Mepps, to K-16 Kwik Fish and even large cod hooks. We also made small holders that stick out, so you can hang flashers and trolling gear by their swivel. This holder comes with mounting screws. If you want to install this mount without drilling holes, we recommend you use 3M brand Command Strips to mount the hanger.

- Holds Most Lures, Hooks, And Flashers
- Can Be Mounted To Any Flat Surface
- Made From Marine-Grade Aluminum
- 18" Long
- Includes Mounting Screws
- Made In Idaho, USA
- Money Back Guarantee



PART #	DESCRIPTION
ITD5119	Fish Fighter 18" Wall Mount Tackle Holder

WALL MOUNT PROPANE RACKS



Wall Mount 1lb Propane Bottle Rack
(2) Bottle Rack

The Fish Fighter™ Propane Bottle Storage Rack™ is the perfect solution for storing your 1lb disposable propane bottles. This rack is designed to hold 1lb disposable propane bottles. You can mount it to any flat surface. We make this storage rack from aluminum and then install a 1/2" thick Marine-Grade solid Plastic top to keep bottles from touching metal to metal. What a perfect way to keep your propane bottles organized.

We make this product right here in Mountain Home, Idaho so you know it's extremely well built and designed to last through the generations. We also want to make sure you're totally satisfied with product so we give it our 100% Money-Back Guarantee.

Disclaimer "You know we have to say it"
Don't store this Caddy near open flames or in confined areas. Propane is extremely flammable. Make sure you follow the propane bottle manufacturer's safety guidelines to the fullest.

- Holds 1Lb Disposable Propane Bottles
- Aluminum Construction With Marine Grade Plastic Top
- Includes Mounting Screws
- Made In USA
- 100% Money-Back Guarantee



Wall Mount 1lb Propane Bottle Rack
(3) Bottle Rack

PART #	DESCRIPTION
ITD5400	Wall Mount 1lb Propane Bottle Rack (2) Bottle Rack
ITD5092	Wall Mount 1lb Propane Bottle Rack (3) Bottle Rack

PROPANE CADDYS



**1lb Propane Bottle Caddy
(2) Bottle Carrier**

Call it a Propane Caddy, Propane Bottle Holder or Propane Bottle Carrier, the Fish Fighter™ Propane Bottle Caddy™ is the perfect solution for transporting and storing your 1lb disposable propane bottles. This Caddy is designed to hold 1lb disposable propane bottles. We make the carrier out of aluminum and then install a 1/2" thick Marine-Grade solid plastic top to keep bottles from touching metal to metal. We also installed rubber feet on the base so you can set the Caddy down without scratching anything.

We make this product right here in Mountain Home, Idaho so you know it's extremely well built and designed to last through the generations. We also want to make sure you're totally satisfied with product so we give it our 100% Money Back Guarantee.

Disclaimer "You know we have to say it" Don't store this Caddy near open flames or in confined areas. Propane is extremely flammable. Make sure you follow the propane bottle manufacturer's safety guidelines to the fullest.

- Holds 1Lb Disposable Propane Bottles
- Aluminum Construction With Marine-Grade Plastic Top
- Non Marring Rubber Feet.
- Made In USA
- 100% Money-Back Guarantee



1lb Propane Bottle Caddy (2) Bottle Carrier

PART #	DESCRIPTION
ITD5091	1lb Propane Bottle Caddy (2) Bottle Carrier
ITD5403	1lb Propane Bottle Caddy (4) Bottle Carrier

ROUND MOUNT SLIDING RAIL SYSTEM



Our round railing mount, sliding rail system is just that. It is a system that will allow you to easily adjust the location of your rod holders, tackle trays or just about anything you can think of. Fishermen have been asking for a commercial grade, sliding rail system for their boat and we've answered the call. With our round railing mounts, you can easily mount our sliding rail system to any 1" or 1-1/4" round hand railing. Imagine having a railing that you can easily slide you rod mounts to where ever you want. Not only can you install you rod holders onto our rail system, you can also mount our tackle trays to the sliding block using our optional adapter bracket. Getting your boat organized has never been easier.

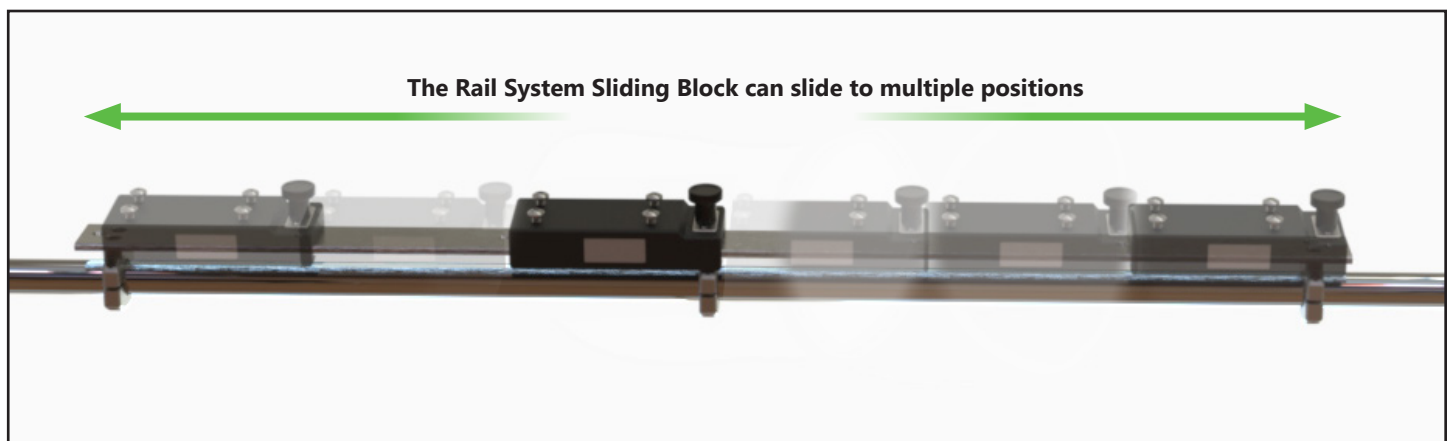
Once you decide on which length rail and how many rail sections / kits you want. You will need to select how many sliding blocks (sold separately) you want. You may also want to add on our adapter bracket so you can install any of our fish fighter storage trays.

Features:

- Choose either 24" or 36" Long Rail kits
- Mounts to 1" or 1-1/4" Round Tubing
- Allows you To Easily Slide Your Rod Holders to the Exact Position You Want Them
- Can Be Mounted Facing in – Facing Out or Facing Up
- Includes Mounting Hardware
- Made in USA by the crew at Fish Fighter Products

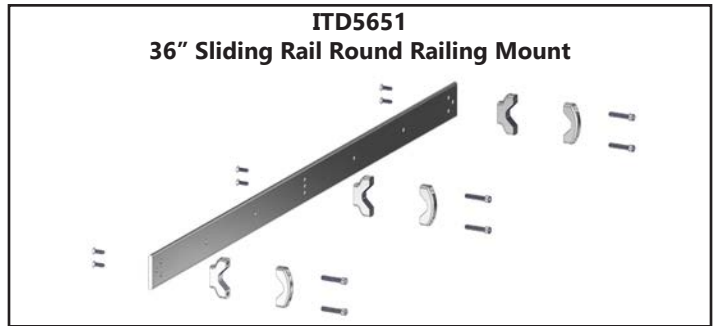
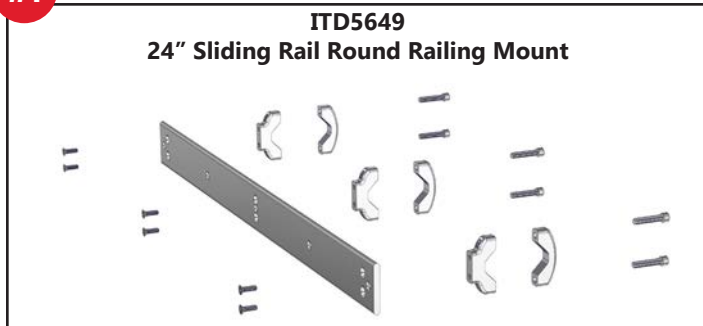


The mounting brackets will accept 1" - 1 1/4" round tubing



Ordering is as easy as

#1 Step (1) Select the Sliding Rail Mount Length You want



#2 Step (2) Select How Many Rail System Sliding Blocks You want



#3 Step (3) Choose an Optional Rail System Adapter bracket if you want



PART #	DESCRIPTION
#1 ITD5649	24" Sliding Rail Round Railing Mount (Includes: (1) 24" Rail, (3) Billet Aluminum Mounting Clamps that fit 1" or 1-1/4" Rails, All Mounting Hardware)
#1 ITD5651	36" Sliding Rail Round Railing Mount (Includes: (1) 36" Rail, (3) Billet Aluminum Mounting Clamps that fit 1" or 1-1/4" Rails, All Mounting Hardware)
#2 ITD5289	Rail System Sliding Block Block is made From Solid Marine Grade Plastic, Pre-Drilled and Threaded for Folbe -Scotty -Attwood & Cannon Rod Holder Mounting Brackets (Includes: (1) Sliding Block with Locking Plunger, (4) Stainless Screws to install your Rod Holders)
#3 ITD5218	Rail System Adapter Bracket Bracket is Pre-Drilled to bolt directly to our Sliding Block (Includes: (1) Adapter Bracket Made from Marine Grade Aluminum, (4) Screws and Nuts that will allow you to bolt any of the Fish Fighter Relentless Series or Sportsman Series Trays to the Mount)

FLAT MOUNT SLIDING RAIL SYSTEM



Our Flat Mount, Sliding Rail System is just that. It is a system that will allow you to easily adjust the location of your Rod Holders, Tackle Trays or just about anything you can think of. Fishermen have been asking for a commercial grade, sliding rail system for their boat and we've answered the call. With Our Flat Mount Rail Kit, you can mount the Sliding Rail System to any Flat Surface. Imagine having a Sliding Rail System that you can easily slide you rod mounts to where ever you want. Not only can you install you Rod Holders onto our Rail System, you can also mount our Tackle Trays to the Sliding Block using our Optional Adapter Bracket. Getting your boat organized has never been easier. Once you decide on which length rail and how many rail sections / Kits you want. You will need to select How many Sliding Blocks (sold separately) You want. You may also want to add on our adapter bracket so you can install any of our Fish Fighter Storage Trays.

Features:

- Choose either 24" or 36" Long Rail kits
- Mounts to any Flat Surface
- Allows you To Easily Slide Your Rod Holders to the Exact Position You Want Them.
- Can Be Mounted Facing in –or Facing Up, Designed to Be Bolted to Gunnels
- Includes Mounting Hardware
- Made in USA by the crew at Fish Fighter Products

Relentless Series™ Tackle Trays mount perfectly to the Rail System Adapter Bracket

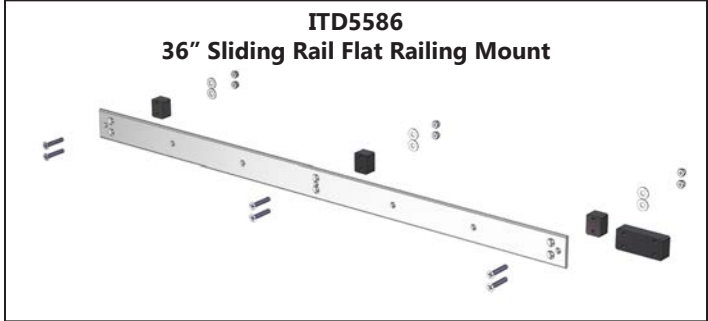


Both lengths of rails come with a wide stand off block for those wanting to install rails end to end in one continuous piece



Ordering is as easy as

#1 Step (1) Select the Sliding Rail Mount Length You want



#2 Step (2) Select How Many Rail System Sliding Blocks You want



#3 Step (3) Choose an Optional Rail System Adapter bracket if you want



PART #	DESCRIPTION
#1 ITD5585	24" Sliding Rail Flat Railing Mount (Includes: (1) 24" Rail,(6) Self Tapping Screws (Stainless Steel) For mounting with no access to nuts,(6) Screws and Nuts (Stainless Steel) For mounting with access to nuts, (3) Stand Off Blocks,(1) Wide Stand Off Block for Those wanting to install rails end to end in one continuous piece)
#1 ITD5586	36" Sliding Rail Flat Railing Mount (Includes: (1) 36" Rail,(6) Self Tapping Screws (Stainless Steel) For mounting with no access to nuts,(6) Screws and Nuts (Stainless Steel) For mounting with access to nuts, (3) Stand Off Blocks,(1) Wide Stand Off Block for Those wanting to install rails end to end in one continuous piece)
#2 ITD5289	Rail System Sliding Block Block is made From Solid Marine Grade Plastic, Pre-Drilled and Threaded for Folbe -Scotty -Attwood & Cannon Rod Holder Mounting Brackets (Includes: (1) Sliding Block with Locking Plunger, (4) Stainless Screws to install your Rod Holders)
#3 ITD5218	Rail System Adapter Bracket Bracket is Pre-Drilled to bolt directly to our Sliding Block (Includes: (1) Adapter Bracket Made from Marine Grade Aluminum,(4) Screws and Nuts that will allow you to bolt any of the Fish Fighter Relentless Series or Sportsman Series Trays to the Mount)

QUICK MOUNT ANCHOR NEST MOUNT



The Fish Fighter Quick Mount™ Anchor Nest Mount allows you to quickly install or remove your bow mounted anchor nest. Now you can quickly remove your anchor nest when you don't need to carry your anchor on the bow. Once you remove the mount all you will have left on your bow is a small plastic mounting puck that doesn't hurt bare feet or get in the way. In an effort to give you even more options, we sell the Quick Mount Separate from the Mounting Puck. This gives you the option to install extra Mounting Pucks on other boats so you can swap your anchor nest from boat to boat. Our Quick Mount Mounting Puck includes a Stainless Mounting Hardware and a Steel Quick Release Pin that can be pad-locked. If you want to be able to swap from your anchor nest to a trolling motor, all you need to do is add our optional Quick Mount for Trolling Motors.

Features:

- Made from Marine Grade Plastic and is CNC Machined for precision fit.
- Allows you to quickly install and remove your Fish Fighter Brand Anchor Nest
- Pre-drilled to bolt directly to Fish Fighter Brand Bow Mounted Anchor Nest
- Will work with most other brands of anchor nest (some drilling may be required)
- Works in conjunction with Our Quick Mount™ Puck and Pin
- Can Be Padlocked to help prevent Theft
- Includes Mounting Hardware
- Made in USA by the crew at Fish Fighter™ Products
- 100% Money Back Guarantee



Ordering is as easy as

Step (1) Select the ITD5709 Quick Mount Anchor Nest Mount

#1



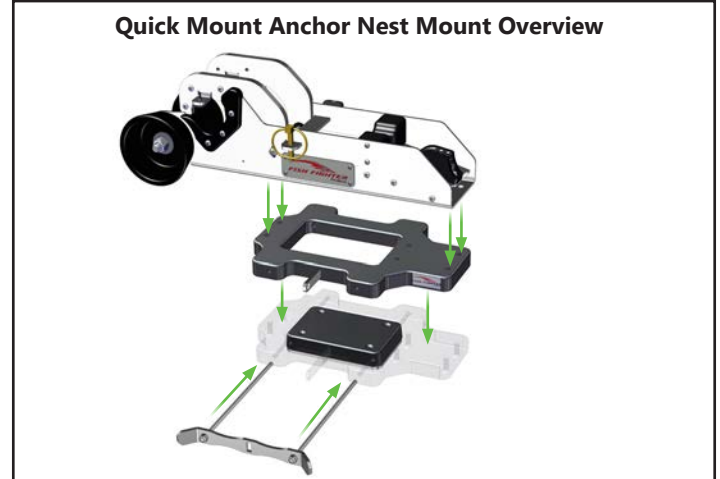
Step (2) Select the ITD5506 Quick Mount™ Mounting Puck & Locking Pin kit

#2



Step (3) (Optional) Select the ITD5266 Quick Mount™ Minn Kota® Mount if you want to also install your anchor nest.

#3



PART #	DESCRIPTION
#1 ITD5709	Quick Mount Anchor Nest Mount (Includes: (1) Quick Mount Anchor Nest Mount (Pre-Drilled for Fish Fighter Brand Bow Mounted Anchor Nest), (4) Stainless Steel Mounting Bolts with Nuts
#2 ITD5506	Quick Mount Puck and Pin (Includes: (1) Quick Mount Mounting Puck, (1) Stainless Steel Locking Pin, (1) Lynch Clip and Carabiner, (4) Stainless Steel Mounting Bolts with Nuts)
#3 ITD5266	Quick Mount Minn Kota® Mount (Includes: (1) Minn Kota® Trolling Motor Mount, (4) Stainless Steel Mounting Bolts with Nuts, All Mounting Hardware

QUICK MOUNT MINN KOTA MOUNT



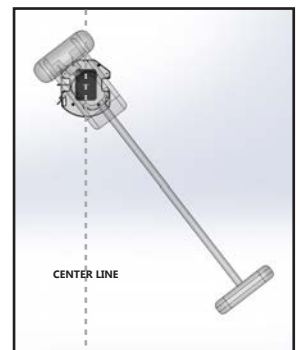
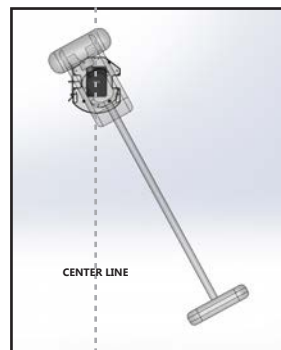
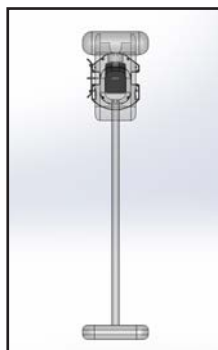
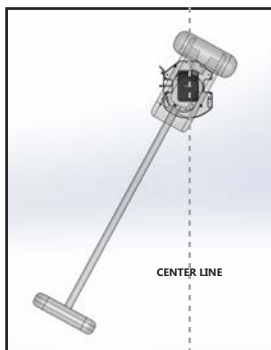
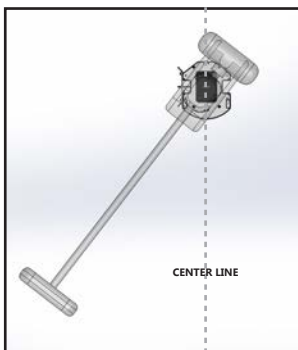
We are excited to introduce our Quick Mount™ for Minn Kota brand Trolling Motors. This Mount allows you to quickly remove your trolling motor and install your bow mounted anchor nest. This flexibility is great for those of you who fish rivers and lakes. You now have an easy way to swap from anchoring to trolling in seconds. We pre-drilled this mount so that it will work with Most Minn Kota Electric Steer Trolling Motors such as Ultra™ - Terrova® - PowerDrive™ - PowerDrive V2 & Power Drive Pontoon. Our Quick Mount has (5) Different mount angle options. This option works great for those of you who want your anchor nest straight off the bow but want to mount your trolling motor at an angle. In an effort to give you even more options, we sell the Quick Mount Separate from the Mounting Puck. This gives you the option to install extra Mounting Pucks on other boats or in different locations on your boat so be sure to order a Quick Mount™ Puck with your mount. Our Quick Mount Mounting Puck includes a Stainless Mounting Hardware and a Steel Quick Release Pin that can be pad-locked.

Features:

- Made from Marine Grade Plastic and is CNC Machined for precision fit
- Pre Drilled to accept Most Minn Kota Trolling Motors, Ultra™ - Terrova® - PowerDrive™ - PowerDrive V2 & Power Drive Pontoon
- Allows you to mount your trolling motor inline or at an angle on the bow of your boat (5 Different Angles)
- Works in conjunction with Our Quick Mount™ Puck and Pin
- Can Be Padlocked to help prevent Theft
- Allow you to quickly swap between your Trolling Motor and Your Anchor Nest Using our Quick Mount Anchor Nest Mount™
- Includes Mounting Hardware
- Made in USA by the crew at Fish Fighter™ Products
- 100% Money Back Guarantee



Five different mounting angles to choose from



Ordering is as easy as

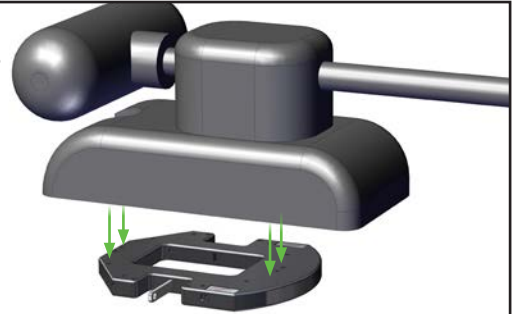
Step (1) Select the ITD5266 Quick Mount™ Minn Kota® Mount

#1

**ITD5266
Quick Mount Minn Kota® Mount**



- Pre Drilled to accept Most
- Minn Kota Trolling Motors
 - Ultera™
 - Terrova®
 - PowerDrive™
 - PowerDrive V2
 - Power Drive Pontoon



Step (2) Select the ITD5506 Quick Mount™ Mounting Puck & Locking Pin kit

#2

**ITD5506
Quick Mount Puck and Pin**



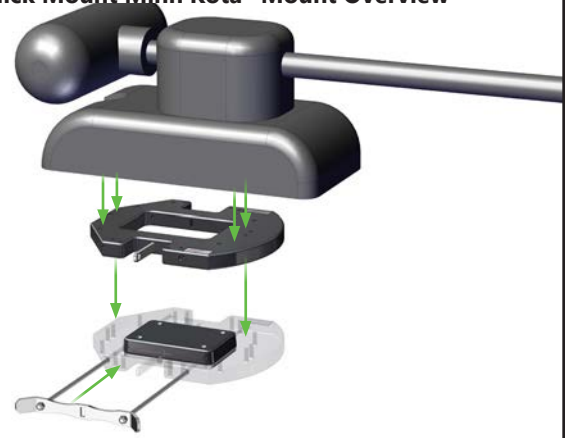
Step (3) (Optional) Select the ITD5709 Quick Mount Anchor Nest Mount if you want to also install your anchor nest.

#3

**ITD5709
Quick Mount Anchor Nest Mount**



Quick Mount Minn Kota® Mount Overview



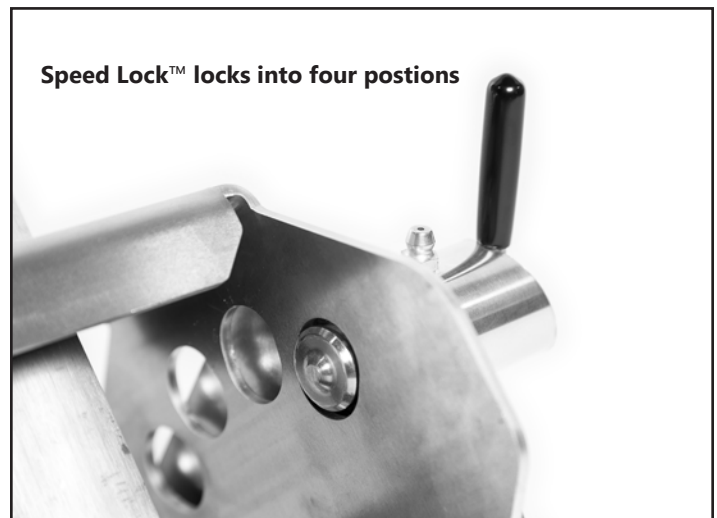
PART #	DESCRIPTION
#1 ITD5266	Quick Mount Minn Kota® Mount (Includes: (1) Minn Kota® Trolling Motor Mount, (4) Stainless Steel Mounting Bolts with Nuts, All Mounting Hardware
#2 ITD5506	Quick Mount Puck and Pin (Includes: (1) Quick Mount Mounting Puck, (1) Stainless Steel Locking Pin, (1) Lynch Clip and Carabiner, (4) Stainless Steel Mounting Bolts with Nuts)
#3 ITD5709	Quick Mount Anchor Nest Mount (Includes: (1) Quick Mount Anchor Nest Mount (Pre-Drilled for Fish Fighter Brand Bow Mounted Anchor Nest), (4) Stainless Steel Mounting Bolts with Nuts

ROD RACKS & HOLDERS

PIVOTING ROCKET-LAUNCHER FOUR POSITION ROD RACKS

Those of you who are relentless in the pursuit of big fish know the value of being organized and prepared. Having your rods organized and accessible at all times can be invaluable. We designed the Fish Fighter™ Pivoting Rocket-Launcher Rod Rack Four Position Rod Racks so your rods would always be easily accessible, yet out of the way when not needed. The Fish Fighter™ Pivoting Rod Rack works great every time. Just pivot the rack forward when you want rods out of the way, and pivot them rearward when you need to use them. We use our billet aluminum Speed Lock™ to lock the rack in 4 different positions. Pivoting the rack rearward or forward is as simple as rotating the Speed Lock™ handle and pivoting the rack. This Rocket-Launcher style rod rack is built right here in Idaho, by the crew here at Fish Fighter™ Products. We used the best materials that would hold up to the abuse that comes from fishing day in and day out. The rack is made from marine-grade aluminum. We used stainless steel fasteners and high strength nylon bushings to keep the rack operating smoothly for decades. Not only does this rod rack perform great, but it also looks great, and will let the world know you are a Fish Fighter™. This rack works great on the roof of your boat, in the back of your pickup, or on any flat surface. We include stainless steel bolts so you can quickly mount your Fish Fighter™ Pivoting Rocket-Launcher Rod Rack.

- Pivoting Design Locks In 4 Positions So Your Rods Are Always Where You Want Them.
- Aluminum Speed Lock™ Is Made From Billet Aluminum And Is Greaseable
- Made From Marine-Grade Aluminum
- Rocket-Launcher Rod Rack Holds (3) Fishing Rods, Works For Fresh Water Rods Or Larger Bait Casters.
- Plastic Reel Guards On The End Of Each Rocket Launcher Tube
- Includes Stainless Steel Mounting Hardware
- Made In Idaho, USA
- Fish Fighter™ 100% Money-Back Guarantee



Speed Lock™ locks into four positions

Pivoting Rocket-Launcher Four Position Rod Rack (5) Rod Holder



PART #	DESCRIPTION
ITD5396	Pivoting Rocket-Launcher Rod Rack (5) Rod Holder

Pivoting Rocket-Launcher Four Position Rod Rack (4) Rod Holder



PART #	DESCRIPTION
ITD5271	Pivoting Rocket-Launcher Rod Rack (4)

Pivoting Rocket-Launcher Four Position Rod Rack (3) Rod Holder



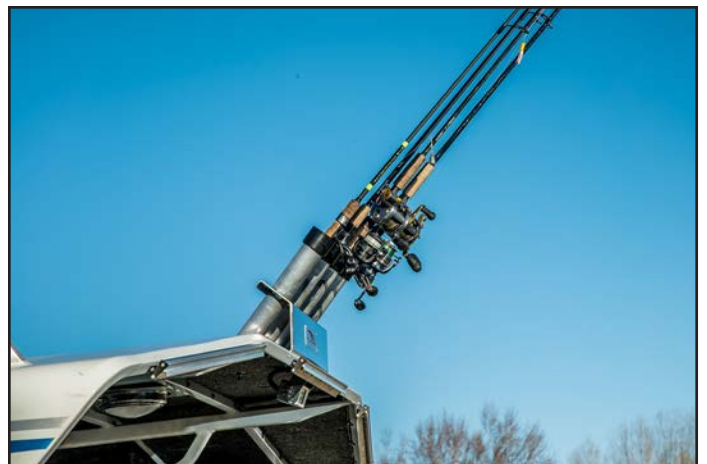
PART #	DESCRIPTION
ITD5275	Pivoting Rocket-Launcher Rod Rack (3) Rod Holder

FIXED ANGLE ROD RACKS



We designed our Fish Fighter™ Rocket-Launcher Rod Racks to be mounted on the roof of your boat or in the bed of your pickup truck. This is one tough Rod Holder that will last a lifetime out on the water. We built this rack out of high strength Marine-Grade Aluminum and used tubing that is 1-5/8" inside diameter so it will hold inshore and offshore fishing rods. We also install an ABS plastic rod protector on the end of each tube so you don't damage your rod or reel. This Rocket-Launcher Rod Holder is angled to help you keep your rods out of the way when not in use, but within easy reach when you want them. We know our customers like function as well as a good looking product, so we install a mirrored stainless steel accent cover onto the rack. The Fish Fighter™ Rocket Launcher is extremely durable, works great and will look amazing on your boat. This rod holder has pre-drilled mount holes and includes mounting bolts so you can easily install it. We offer this rod holder in a (5) (4) or (3) rod models

- Made From Marine-Grade Aluminum
- Holds (3) Fresh Water Rods And Larger Bait Casters
- Abs Rod Protectors
- Includes Stainless Mounting Hardware
- Made In Idaho, USA
- Has The Fish Fighter™ Products 100% Guarantee



Fixed Angle Rod Rack (5) Rod Holder



PART #	DESCRIPTION
ITD5405	Fixed Angle Rod Rack (5) Rod Holder

Fixed Angle Rod Rack (4) Rod Holder



PART #	DESCRIPTION
ITD5482	Fixed Angle Rod Rack (4) Rod Holder

Fixed Angle Rod Rack (3) Rod Holder



PART #	DESCRIPTION
ITD5287	Fixed Angle Rod Rack (3) Rod Holder

UNIVERSAL ROCKET-LAUNCHER ROD RACKS



For those of you who want more mounting options for storing your fishing rods, the Fish Fighter™ Universal Rocket-Launcher Rod Racks may just be what you're looking for. We designed these mounts so that it will pivot to many angles, and once you have your desired angle, just tighten the locking bolt and the rack will stay in that position. This mount is perfect for mounting your rods on your gunnels, roof, bow, the side of your cabin, or in the back of your pickup -- Just about anywhere you can think of! These rod racks will hold freshwater fishing rods including larger bait casters. We also install our Plastic Reel Guards on the end of each Rocket-Launcher tube. We make this rod holder from marine-grade aluminum and use stainless steel hardware. We also include stainless steel mounting bolts with the rack. Made in the USA, by the crew here at Fish Fighter™ with pride and passion for what we do.

- Fully Adjustable Design
- Made From Marine-Grade Aluminum
- Works For Fresh Water And Larger Bait Casters.
- Plastic Reel Guards On The End Of Each Rocket-Launcher Tube
- Made In Idaho, USA
- Fish Fighter™ 100% Money-Back Guarantee



Universal Rocket-Launcher Rod Rack (5) Rod Holder



PART #	DESCRIPTION
ITD5485	Universal Rocket-Launcher Rod Rack (5) Rod Model

Universal Rocket-Launcher Rod Rack (4) Rod Holder



PART #	DESCRIPTION
ITD5279	Universal Rocket-Launcher Rod Rack (4) Rod Model

Universal Rocket-Launcher Rod Rack (3) Rod Holder



PART #	DESCRIPTION
ITD5283	Universal Rocket-Launcher Rod Rack (3) Rod Model

WALL MOUNT ROD RACKS



Many of us like to not only keep our fishing rods organized, but we also like to display them with pride. The Fish Fighter™ Rod Rack does just that. Each Rod Rack is made from Marine-Grade Aluminum and has Plastic Grommets to protect your rods and reels. You can mount this Rack on your wall, or on your boat. Any flat surface will do. You can use the provided screws to mount the rod rack or use (Not Included) 3-M Brand Command Strips to hold it in place. They can hold either 3 or 6 fresh water rods.

- Made From Marine-Grade Aluminum With Plastic Grommets
- Holds (3) Or (6) Fresh Water Fishing Rods
- Fish Fighter™ Logo Is Laser-Cut Out Of Metal And Looks Great
- Includes Stainless Steel Mounting Hardware
- Made In Idaho, USA
- Fish Fighter™ Products 100% Money-Back Guarantee



3 Rod Wall Mount Rod Rack



6 Rod Wall Mount Rod Rack

PART #	DESCRIPTION
ITD5107	3 Rod Wall Mount Rod Rack
ITD1423	6 Rod Wall Mount Rod Rack



WALL MOUNT OFFSHORE ROD RACKS

Many of us like to not only keep our Fishing Rods organized, but we also like to display them with pride. The Fish Fighter Rod Rack does just that. Each Rod Rack is made from Marine-Grade Aluminum and has Plastic Grommets to protect your rods and reels. You can mount this Rack on your wall, or on your boat. Any flat surface will do. You can use the provided screws to mount the rod rack or use (Not Included) 3-M brand Command Strips to hold it in Place. They can hold either 3 or 6 offshore fishing rods.

- Made From Marine-Grade Aluminum with Plastic Grommets
- Holds (3) or (6) Offshore Fishing Rods
- Fish Fighter™ Logo Is Laser-Cut Out of Metal And Looks Great
- Includes Stainless Steel Mounting Hardware
- Made In Idaho, USA
- Fish Fighter™ Products 100% Money-Back Guarantee



3 Rod Offshore Wall Mount Rod Rack



6 Rod Offshore Wall Mount Rod Rack

PART #	DESCRIPTION
ITD5108	3 Rod Offshore Wall Mount Rod Rack
ITD1424	6 Rod Offshore Wall Mount Rod Rack

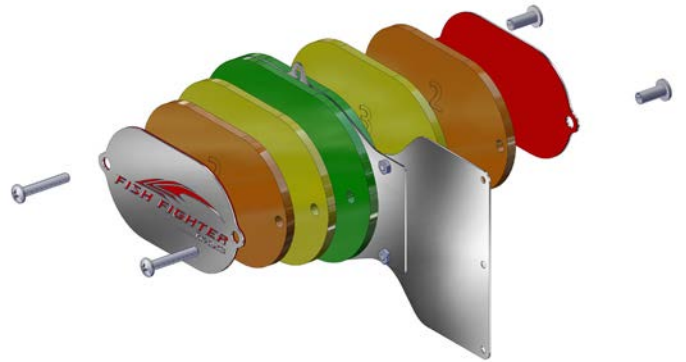


DOWNRIGGER WEIGHTS

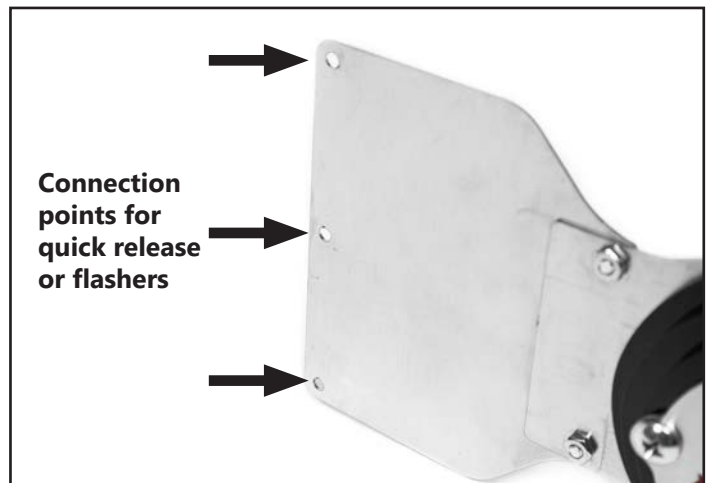
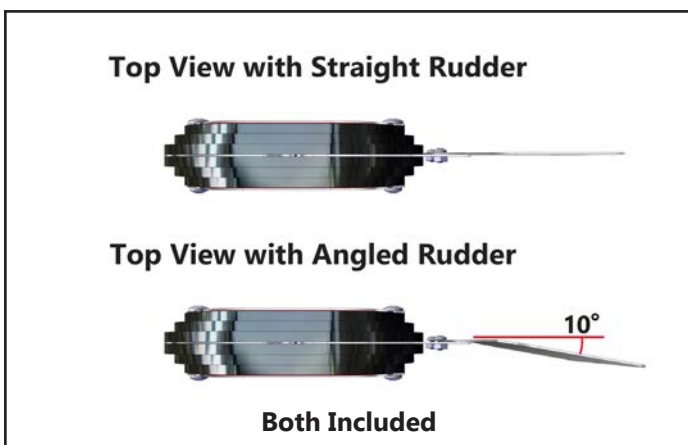
The Fish Fighter™ Downrigger Weight was designed for the angler who is looking for the maximum advantage that they can gain when pursuing big fish. We designed our downrigger weights with our FFP Variable Weight System™. It is very simple to adjust this weight. Being able to vary the weight is just like being able to choose which size of fishing rod you use. When fishing in a big river with big currents, and you're trolling big baits, you may want to use a large downrigger weight. When you're trolling for spring crappie in a calm lake with small lures, you may want to run a lightweight downrigger weight.



With our FFP Variable Weight System™, the more weight plates that you remove, the thinner the weight gets and the less blow-back you get on the downrigger cable. That's the beauty of our FFP Variable Weight System™. You get to choose the exact weight for your situation. Not only can you vary the weight, but you can also decide if you want to leave the stainless side plate on and give the downrigger weight some flash, or you can remove it and have no flash on the weight.



We also designed (2) styles of rudders that are included with each downrigger weight. You can choose to run the straight rudder so the weight will track in line with your downrigger cable, or you can run our 10° angled rudder. Our 10° angled rudder will cause the weight to run out from the side of the boat.



Downrigger Weight 14 lb.

- Removable Stainless Steel Rudder With Straight And Angled Design.
- Stainless Steel Side Panels Can Be Left On To Offer Flash Or No Flash
- No Lead And Eco-Friendly
- Made in Idaho, USA
- FFP Variable Weight System™
- Adjustable From 1lb to 14 lbs.



PART #	DESCRIPTION
ITD5227	Downrigger Weight 14 lbs.

Downrigger Weight 12 lb.

- Removable Stainless Steel Rudder With Straight And Angled Design.
- Stainless Steel Side Panels Can Be Left On To Offer Flash Or No Flash
- No Lead And Eco-Friendly
- Made in Idaho, USA
- FFP Variable Weight System™
- Adjustable From 1lb to 12 lbs.



PART #	DESCRIPTION
ITD5225	Downrigger Weight 12 lbs.

Downrigger Weight 10 lb.

- Removable Stainless Steel Rudder With Straight And Angled Design.
- Stainless Steel Side Panels Can Be Left On To Offer Flash Or No Flash
- No Lead And Eco-Friendly
- Made in Idaho, USA
- FFP Variable Weight System™
- Adjustable From 1lb to 10 lbs.



PART #	DESCRIPTION
ITD5224	Downrigger Weight 10 lbs.

Downrigger Weight 8 lb.

- Removable Stainless Steel Rudder With Straight And Angled Design.
- Stainless Steel Side Panels Can Be Left On To Offer Flash Or No Flash
- No Lead And Eco-Friendly
- Made in Idaho, USA
- FFP Variable Weight System™
- Adjustable From 1lb to 8 lbs.



PART #	DESCRIPTION
ITD5172	Downrigger Weight 8 lbs.

APPAREL



VIRTUALLY INDESTRUCTIBLE ROTO-MOLDED COLD LOCKER

COMPARE IGLOO YUKON [®] to YETI [®]	
✓ TRUCK AIR	✗ LOGS BARE TO THE LOCKER
✓ STAINLESS STEEL HINGE AXES	✗ REINFORCED TUB RAILS
✓ STRENGTH BUILT INTO CRAMP KICK	✗ NO BUILT-IN FRAMING LIPS

5 YEAR WARRANTY

KEEPS ICE
UP TO **7** DAYS
70 Quart | 66 Liter
35.3" x 17.0" x 28.5"

FISH FIGHTER
Products



COTTON T-SHIRTS



Short Sleeve Cotton T-Shirt (Charcoal)

While fishing in the Australian Outback, I discovered this 50/50 cotton/poly blended shirt not only has the perfect blend of comfort and softness, but it helps me stay cool while out-running a crocodile. This shirt is shrink-free and wrinkle resistant, so when you are running for your life, you can still look good doing it. This shirt also has short sleeves, so you can work on that sweet farmer's tan. Available in sizes S, M, L, XL, XXL, XXXL

- 5.5 Oz., 50/50 Cotton/Poly Blend
- Made With 5% Recycled Polyester
- Double-Needle Sleeves And Hem
- Comfortable, Soft, And Tough



PART #	DESCRIPTION
ITD5324	Short Sleeve Cotton T-Shirt (Sizes S, M, L, XL, XXL, XXXL)

Long Sleeve Cotton T-Shirt (Charcoal)

One word sums up this shirt, and our customers -- Tough. You can wear this shirt for days, wash it in the creek, hang it out to dry by tying the long sleeves to a tree, and wear it for another week. This shirt is shrink-free and wrinkle resistant, made with up to 5% recycled polyester from 5.5oz. plastic bottles, and has 50/50 cotton/poly double-needle sleeves and hems to take endless punishment. Available in sizes S, M, L, XL, XXL, XXXL

- 5.5 Oz., 50/50 Cotton/Poly Blend
- Made With 5% Recycled Polyester
- Double-Needle Sleeves And Hem
- Comfortable, Soft, And Tough



PART #	DESCRIPTION
ITD5325	Long Sleeve Cotton T-Shirt (Sizes S, M, L, XL, XXL, XXXL)

COTTON HOODIE

Cotton Hoodie (Charcoal)

For those of you who want a heavyweight hoodie, this one is for you. Made from a blend of 50% Cotton and 50% Polyester, this hoodie will shed the wind, and yet is soft enough to use the sleeve as nose-wiper. Not only is it soft and comfortable, but it is built to last, with double-needle stitching throughout, double-lined hood, 1x1 ribbed cuffs and waistband with spandex, and pouch pocket. Available in sizes S, M, L, XL, XXL, XXXL

- 8 Oz.
- 50% Cotton, 50% Polyester
- Double-Needle Stitching
- Double-Lined Hood
- 1X1 Ribbed Cuffs And Waistband
- Pouch Pocket.



PART #	DESCRIPTION
ITD5326	FFP Cotton Hoodie (Sizes S, M, L, XL, XXL, XXXL)

SPORT-TEK® T-SHIRTS



Short Sleeve Sport-Tek® Shirt (Heather Grey)

For the ultimate in comfort, try our Fish Fighter™ Sport-Tek® Shirt. This shirt is great at wicking away moisture, and keeping you cool. This poly/spandex blend actually pulls sweat away from your body and evaporates on the surface. I personally wear it as a base layer in the winter, and as outerwear in the summer. I spent 17 days straight in one of these shirts chasing Kings in Alaska, and it hardly smelled at all; at least that's my opinion. This shirt is also tag-less, so no need to worry about being mauled by an itchy tag. Available in sizes S, M, L, XL, XXL, XXXL

- 5 oz.
- 95/5 Poly/Spandex Blend
- Moisture Wicking
- Tag Free
- Athletic Fit



PART #	DESCRIPTION
ITD5331	Short Sleeve Sport-Tek® Shirt (Sizes S, M, L, XL, XXL, XXXL)

Long Sleeve Sport-Tek® Shirt (Heather Grey)

This Fish Fighter™ Sport-Tek® Long Sleeve Shirt is the one preferred by our Pro Staff. It is a perfect lightweight, moisture-wicking shirt, that feels cool in the summer, and warm in the winter. When you wear this shirt you just feel good. Available in sizes S, M, L, XL, XXL, XXXL

- 5 oz.
- 95/5 Poly/Spandex Blend
- Moisture Wicking
- Tag Free
- Athletic Fit



PART #	DESCRIPTION
ITD5332	Long Sleeve Sport-Tek® Shirt (Sizes S, M, L, XL, XXL)

SPORT-WICK HOODIE



Sport-Wick Hoodie (Dark Smoke Hoodie)

This Fish Fighter™ Sport-Wick® Fleece Hoodie is a lightweight hoodie that is comfortable, and makes a fashion statement while out on the water. Seriously though, this Hoodie is made from 100% 8 oz. polyester, it has that shiny look that has become very popular, and does a decent job of shedding rain water. This is the Hoodie our Pro Staff wears.

Available in sizes S, M, L, XL, XXL, XXXL

- Dyed-To-Match Drawcord With Metal Tips
- Fleece-Lined Front Pouch Pocket
- Pro Staff Pick
- 100% 8 Oz Polyester
- Sheds Rain Water
- Lightweight
- Three-Panel Hood

Front



Back



PART #	DESCRIPTION
ITD5333	Sport-Wick Fleece Hoodie (Sizes S, M, L, XL, XXL, XXXL)

REEL FEEL™ GLOVES



I first discovered the value of using disposable gloves when fishing with a guide on the Columbia River. I asked the guide, "Why do you wear those gloves?" He replied, "If Salmon can find their way home from thousands of miles away by just using their sense of smell, do you think they can smell human scent on your bait and lures?"

He also told me that you can catch fish without gloves, but with the correct gloves, you can catch all of the fish, and boy was he right! We have been on the hunt to find the perfect disposable gloves and we have finally found them. Not only do our Reel Feel™ Gloves fit great, but they mask human odors, help you grip fish, and keep your hands warm and dry. With just a little sunlight on a winter's day, the black of the glove absorbs the sun and warms your hands, while our Reel Feel™ warm weather gloves reflect the sunlight. We are so confident that you will catch more fish with our Reel Feel™ Gloves, that we offer a 100% money back guarantee.

- Nitrile With Slight Texture
- Powder-Free Allergy-Free
- Water Proof Container With Water Proof Decal
- 100% Money Back Guarantee
- **Cold Weather** Absorbs Sunlight To Warm Hands
- **Warm Weather** Blue Color Reflects Sunlight
- Comes In A Plastic Container With Large Easy Access Lid



Part#	DESCRIPTION
ITD5499	Reel Feel™ Cold Weather Gloves includes 50 Gloves (Available in sizes S, M, L, and XL)
ITD5501	Reel Feel™ Warm Weather Gloves includes 50 Gloves (Available in sizes S, M, L, and XL)

SNAP-BACK HATS

Snap-Back Hats

Snap-Back Hats are where it's at. At least that's what the cool kids say. Cotton twill front panels and visor with mesh back panels; ProCrown with buckram-fused front panels and ProStitching; pre-curved PE visor with eight rows of stitching

Available in Charcoal and for the ladies and the men tough enough to wear pink. This is your hat. It was chosen by the ladies on our staff to offer looks and sun protection.

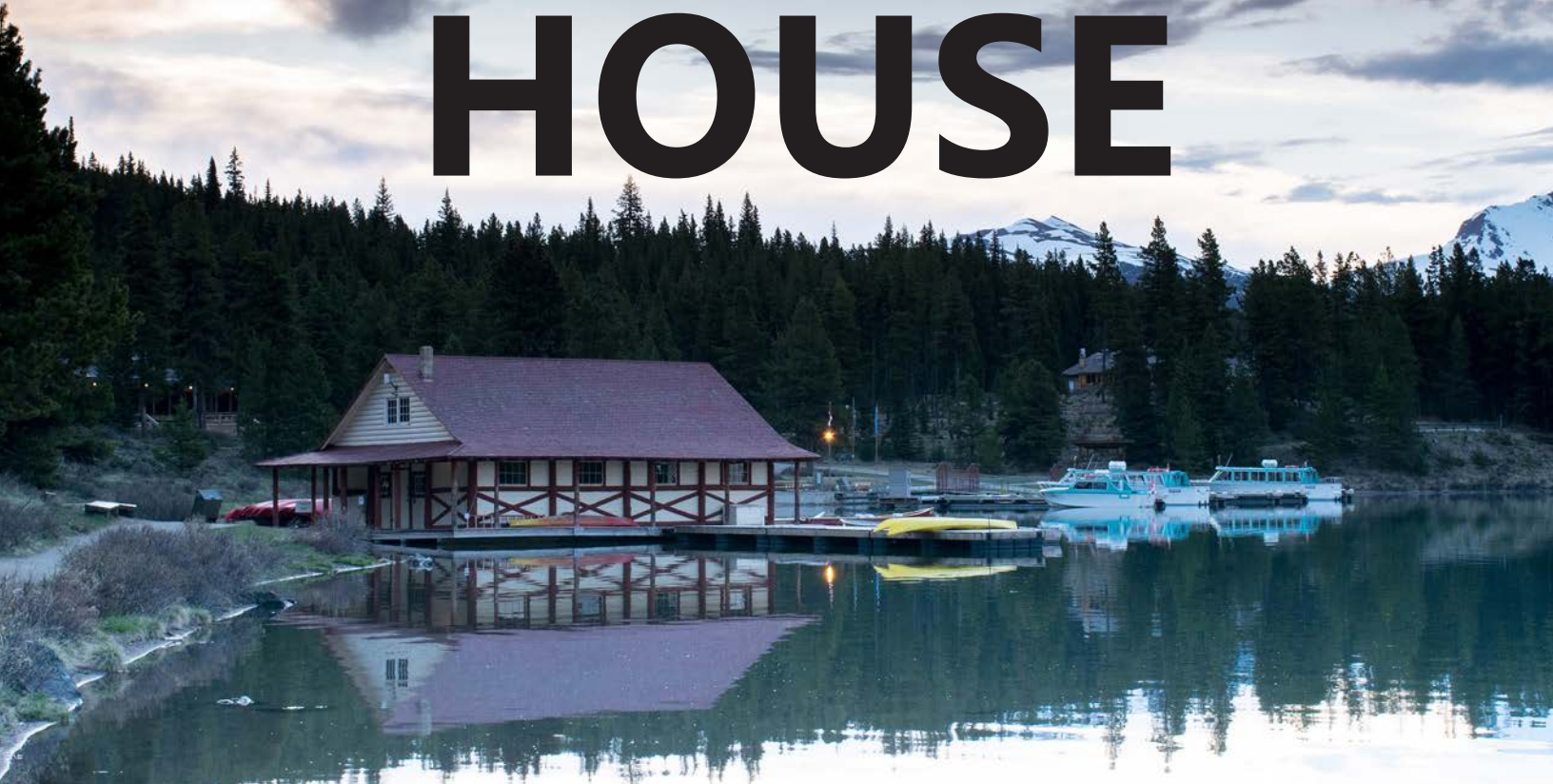
- One Size Fits All
- Buckram-Fused Front Panels
- Mesh Back Design
- 7-Position Snap Strap
- Visor With 8 Rows Of Stitching



PART #	DESCRIPTION
ITD5329	Snap Back Hat
ITD5330	Pink Snap Back Hat



THE BOAT HOUSE



FISH FIGHTER™ PRODUCT DECALS

These high quality die cut vinyl decals are the best way to show the world that you are a fish fighter. A perfect accent for your truck or boat. They are available with black or white text, in 10", 15", and 18" sizes.

PART #	DESCRIPTION
ITD5348	10" FFP Die Cut Logo White Text
ITD5350	15" FFP Die Cut Logo White Text
ITD5352	18" FFP Die Cut Logo White Text



ITD5349	10" FFP Die Cut Logo Black Text
ITD5351	15" FFP Die Cut Logo Black Text
ITD5353	18" FFP Die Cut Logo Black Text



JIG AND LEADER BOARDS



These Jig and Leader Boards work well with hooks, jigs and pre-tied leaders allowing you to pre-load your tackle and be organized when you hit the water. When used with Plano boxes you'll have a little extra room for your leader spool, swivels, and scissors or whatever you may choose.

- Smaller sizes also make storing my steelhead and walleye jigs
- Best way to store any size jigs, lures, and leaders
- Notched on both sides to keep your leaders perfectly straight for easy storage and organization
- Prevents tentacled lures from fraying out

PART #	DESCRIPTION
ITD5696	FISHENG Jig and Leader Board 7.75" X 11.5"
ITD5695	FISHENG Jig and Leader Board 5.75" X 8"
ITD5694	FISHENG Jig and Leader Board 3.75" X 8"



(Plano box and tackle not included)

FILLET AWAY FISH MAT

Fillet Away Fish Mats are made of a high quality material right here in the USA that does not absorb oil or smells. The rows of rubber pegs grip the fish in place while it is being cleaned. The result is a fillet mat that works and is also easy to clean. No more stinky, slippery fillet mats. Dimensions are 19" x 14", but don't be fooled by the size. One mat easily fits Trout, Bass, Walleye-sized fish, or simply lay two mats end to end or next to each other for larger fish such as Sockeye Salmon, Fall Chinook or Steelhead.



- Hand-Crafted from High Quality, Very Durable Material
- Engineered Pegs Grip Fish to Hold Securely in Place
- Won't absorb oil or get smelly and stinky like astro turf
- 100% Recyclable
- Cleans Easily
- Dishwasher Safe
- 19" x 14"
- Made in Idaho, USA



Part#	DESCRIPTION
ITD5267	Fillet Away Fish Mat

STAINLESS STEEL THERMOS

Fish Fighter Stainless Steel 32 oz. Thermos

When you're out on the river in the dead of winter, the best way to warm up is a hot cup-of-joe, or a bowl of hot soup. With the FFP 32 oz. Stainless Steel Thermos, you can enjoy that warmth for up to 12 hours. When the seasons change and the sun's blazing, our thermos will keep your beverage cold for the same amount of time. With a built in Lid Cup, and at 4 inches wide, it will easily fit within the rest of your gear, while you relentlessly pursue the big fish.

- Stainless Steel 32 oz. Thermos With Lid Cup
- Push And Pour Stopper For Pouring On The Go
- Removable Stopper For Easy Filling
- Holds 32 oz.
- Keeps Drinks/Foods Hot For Up To 12 Hours
- Keeps Drinks Cold For 12 Hours
- At Only 11-1/4 In Tall And 4 In Wide This Is The Perfect Sized Thermos
- This Is The Thermos That The Fish Fighter™ Staff Uses



PART #	DESCRIPTION
ITD5538	Fish Fighter™ Stainless Steel 32 oz Thermos

NEOPRENE DRINK HOLDER

You've got more important things to worry about than keeping your drink cold -- like how you're going to reel in that monster sturgeon -- so we decided to make it easy for you. Introducing the Fish Fighter™ Products Neoprene Drink Holder. Perfect for use out on the water, at a barbeque, sporting event, or picnic. It fits any standard 12 oz. can or bottle, and keeps your favorite beverage insulated while you haul in the catch of your life!



- Holds Standard 12 Ounce Cans And Bottles
- Keeps Drink Cold, Insulating Your Beverage
- Keeps Hands Dry
- Neoprene

PART #	DESCRIPTION
ITD5346	Neoprene Drink Holder (Charcoal)
ITD5347	Hot Pink Neoprene Drink Holder

COOLER TRAYS



This Fish Fighter™ Cooler Tray is a perfect addition to any Yeti 45, 65, 75, or 170 quart or Igloo® Yukon® Cold Locker Cooler. We designed this tray to be deep enough to hold just about anything; from apples to mustard bottles. This tray measures 5-1/2" deep, and is made from marine-grade aluminum, which is easily lifted out for access to items underneath. Not only is this tray perfect for food, but it works great to keep your bait out of the ice and away from your drinks.

Also note that items in this tray will be 8 to 12 degrees warmer than if they were sitting directly on the cooler ice. If you want to keep items colder, we recommend you purchase our Fish Fighter™ Max Cold® Cooler Tray.

- Removable And Reusable
- Marine-Grade Aluminum Construction
- Keeps Bait Or Food Out Of Ice And Water
- 10 To 12 Degrees Warmer Than On Ice
- Made In Idaho, USA
- 100% Money Back Guarantee



PART #	DESCRIPTION
ITD5616	45qt Yeti® Cooler Tray
ITD5618	65qt Yeti® Cooler Tray
ITD5620	75qt Yeti® Cooler Tray
ITD5622	160qt Yeti® Cooler Tray
ITD5491	70qt Igloo® Yukon® Cold Locker Cooler Tray

BAIT TRAYS



This Cooler Bait Tray is a perfect addition to any Yeti® or Igloo© Yukon® Cold Locker Cooler. We designed this bait tray so you can keep your bait from getting into your ice and ice water. As most of you know, it is best to not let your bait come in contact with chlorinated water. Fish will shy away from chlorine, and since we don't know where our ice was made, it's best to keep your bait separated by using the Fish Fighter™ Cooler Bait Tray. We call this our Bait Tray, but at 2" deep, it is the perfect size to hold baits, sandwiches, meat, fruits, or just about anything that you don't want mixing in with your ice. This tray is made from marine-grade aluminum, and can be easily lifted out for access to items underneath. Also note that items in this tray will be 10 to 15 degrees warmer than if they were sitting directly on the cooler ice. If you want to keep your bait closer to freezing, we recommend you purchase our Fish Fighter™ Max Cold Bait Tray.

- Removable And Reusable
- Marine-Grade Aluminum Construction
- Keeps Bait Or Food Out Of Ice And Water
- 10 To 15 Degrees Warmer Than On Ice
- Made In Idaho, USA
- 100% Money Back Guarantee



PART #	DESCRIPTION
ITD5615	45qt Yeti® Bait Tray
ITD5617	65qt Yeti® Bait Tray
ITD5619	75qt Yeti® Bait Tray
ITD5621	160qt Yeti® Bait Tray
ITD5492	70qt Igloo© Yukon® Cold Locker Bait Tray



MAX COLD® COOLER TRAYS

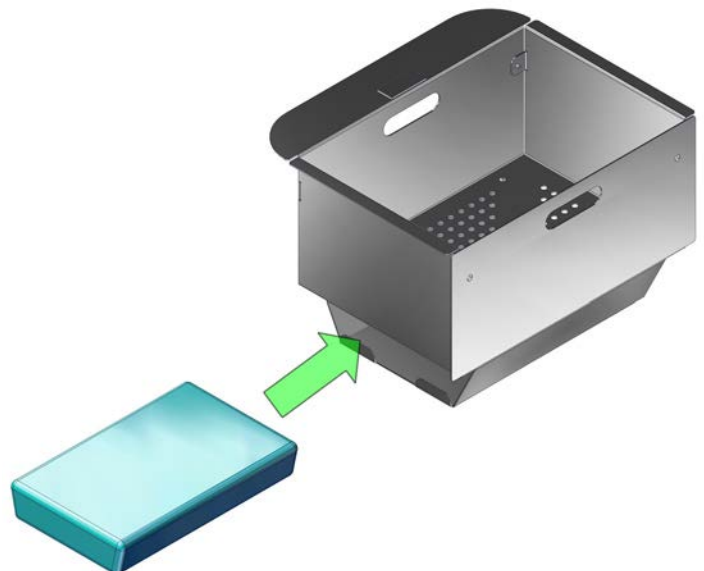


It can be difficult to preserve bait for a whole day. If bait gets too warm, it loses its natural shine and look. In an effort to keep baits as fresh as possible, we did an incredible amount of research on our bait trays and studied bait temperatures inside of coolers. What we found is that by adding a cooling source right under the tray, we could keep bait a lot fresher for a lot longer. Seems simple right? Keep the bait on ice, and it stays fresher -- everyone knows that! The big concern with putting bait directly on ice is that the chlorine used in ice may contaminate your baits -- Not to mention having your baits next to your food and drinks could contaminate your baits as well. By using our Max Cold® Cooler Tray you keep your bait out of the ice, away from other scents, and at an optimum temperature. With our Max Cold® Cooler Tray you can go from catching some of the fish, to catching all of the fish.

- Removable And Easy To Clean
- Made From Marine-Grade Aluminum
- Keeps Bait Out Of Ice And At An Optimum Temperature, And Prevents Scent Contamination Of Baits
- Storage Area Is 5-1/2" Deep X 11" Wide And 7-3/4" Long
- Includes (1) Max Cold® Re-Freezable Ice Block
- Made In Idaho, USA



PART #	DESCRIPTION
ITD5591	45qt Yeti® Max Cold® Cooler Tray
ITD5595	65qt Yeti® Max Cold® Cooler Tray
ITD5599	75qt Yeti® Max Cold® Cooler Tray
ITD5603	160qt Yeti® Max Cold® Cooler Tray
ITD5507	70qt Igloo® Yukon® Cold Locker Max Cold® Cooler Tray

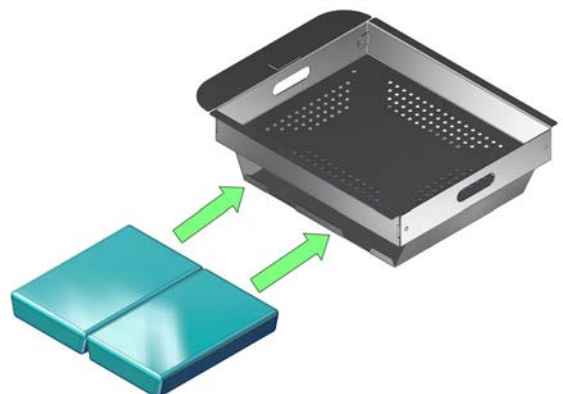


MAX COLD® BAIT TRAYS



It can be difficult to preserve bait for a whole day. If bait gets too warm, it loses its natural shine and look. In an effort to keep baits as fresh as possible, we did an incredible amount of research on our bait trays and studied bait temperatures inside of coolers. What we found is that by adding a cooling source right under the tray, we could keep bait a lot fresher for a lot longer. Seems simple right? Keep the bait on ice, and it stays fresher -- everyone knows that! The big concern with putting bait directly on ice is that the chlorine used in ice may contaminate your baits -- Not to mention having your baits next to your food and drinks could contaminate your baits as well. By using our Max Cold® Cooler Tray you keep your bait out of the ice, away from other scents, and at an optimum temperature. With our Max Cold® Cooler Tray you can go from catching some of the fish, to catching all of the fish.

- Removable And Easy To Clean
- Made From Marine-Grade Aluminum
- Keeps Bait Out Of Ice And At An Optimum Temperature, And Prevents Scent Contamination Of Baits
- Storage Area Is 2" Deep X 11" Wide And 13-1/2" Long
- Includes (2) Max Cold® Re-Freezable Ice Blocks
- Made In Idaho, USA



PART #	DESCRIPTION
ITD5589	45qt Yeti® Max Cold® Cold Bait Tray
ITD5593	65qt Yeti® Max Cold® Cold Bait Tray
ITD5597	75qt Yeti® Max Cold® Cold Bait Tray
ITD5601	160qt Yeti® Max Cold® Cold Bait Tray
ITD5511	70qt Igloo© Yukon® Cold Locker Max Cold® Bait Tray

MAX COLD® FREEZER BLOCK

Max Cold® Freezer Block (Large)

Plenty of cold, without the mess. Using these Max Cold® Freezer Blocks are a great way to keep items cold in your cooler. We love the fact that they are re-usable and the non-toxic Ultratherm® gel delivers extended cooling performance. Just freeze them the night before your trip and you're good to go. For the ultimate in cooler performance, use our Max Cold® Cooler Trays, and toss few Max Cold® Freezer Blocks in the bottom of your cooler.

After using these Max Cold Freezer Blocks, you will probably never waste time or money on ice again!

- Keeps Drinks Cold
- No Mess
- Reusable And Re-Freezable
- Works With The FFP Max Cold® Cooler Trays
- Non-Toxic Gel Inside Of The Block
- Delivers Extended Cooling Performance Over Traditional Ice



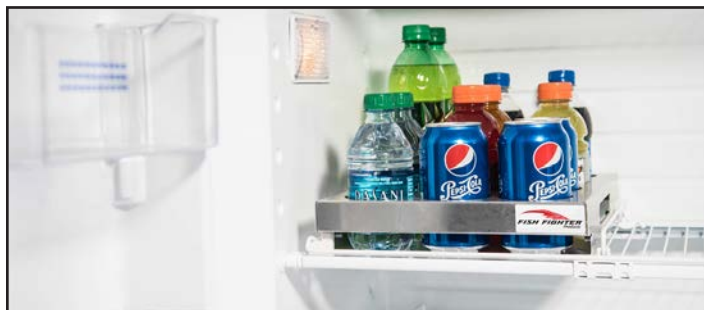
PART #	DESCRIPTION
ITD5323	Max Cold Freezer Block (Large)

12 PACK DRINK RACK

12 Pack Drink Rack

Tired of opening your RV fridge only to find all your drinks have fallen over in a jumbled mess? Fish Fighter™ Products has solved this problem with the 12 Pack Drink Rack. This Drink Rack works perfect in your RV Fridge to keep drinks from falling over when you're traveling down the road. It holds bottles of water, coffee cups, drink cans and many other beverages. The 12 Pack Drink Rack works perfect as a serving tray to serve coffee with. The rack is made from durable aluminum and comes with anti-skid/anti-mark pads on the bottom and back. This product was design by us and built right here in Idaho.

- Anti-Skid/Anti-Mark Pads
- Holds 12 Beverages
- Great As A Serving Tray
- Fits In Coolers
- Food-Grade Aluminum



PART #	DESCRIPTION
ITD5070	12 Pack Drink Rack

BAIT TOWEL W/ CARABINER/BOTTLE OPENER

The Fish Fighter™ Bait Towel is made from Microfiber and measures 16" x 16". This towel is great as a hand towel, or just an all-around towel for cleaning the boat. To help you keep track of your towel, we include our Fish Fighter™ Products Carabiner Clip with a built-in bottle opener. How can you beat a towel that also doubles as a bottle opener?



- Made From Microfiber
- Measures 16 X 16
- Can Be Used For Cleaning
- Features FFP Carabiner Clip W/ Integrated Bottle Opener

PART #	DESCRIPTION
ITD5496	Bait Towel with Carabiner/Bottle Opener

CARABINER W/ BOTTLE OPENER

The Fish Fighter™ Carabiner combines with a bottle opener to make your life easy. While not for climbing, you'll absolutely amaze your friends being able to pop open a chilled beverage at a moment's notice!



- Features Convenient Bottle Opener
- Can Be Used To Carry Keys/Bottles/Towels Just About Anything
- Not For Climbing

PART #	DESCRIPTION
ITD5498	Carabiner with Bottle Opener

Trash Cans

Galvanized Steel Trash Can and Lid. Comes in 4 and 6 Gallon models.

- Rugged construction keeps items organized and separated
- Not just for trash
- Can hold cat litter/flour/grain You name it



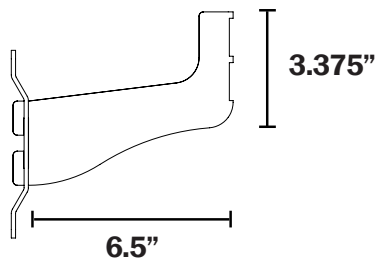
PART #	DESCRIPTION
ITD1086	4 Gallon Trash Can
ITD1087	6 Gallon Trash Can

ALUMINUM STORAGE RACKS

The In The Ditch™ Aluminum Storage Racks are perfect for organizing your boat, truck, shop, garage or trailer. They are ideal for holding shackles, or make a great holder for brooms, shovels and rakes. The Aluminum Storage Racks have unlimited uses. They are lightweight and pre-drilled for easy installation. Each hook is 6 ½" long and has a individual load rating of 30 lbs.



**Single Arm
Storage Rack
ITD1248**

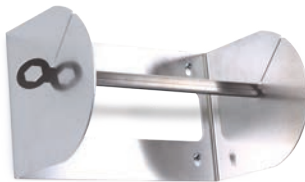


**2 Arm Storage Rack
ITD1247**

PART #	DESCRIPTION
ITD1248	1 Arm Aluminum Storage Rack
ITD1247	2 Arm Aluminum Storage Rack

ALUMINUM END WRENCH PAPER TOWEL RACKS

In The Ditch™ Paper Towel Racks bring life to your garage, shop or bathroom. They are available in Single and Double Racks and hold both traditional paper towels or work towels. Pre-drilled for quick and easy installation.



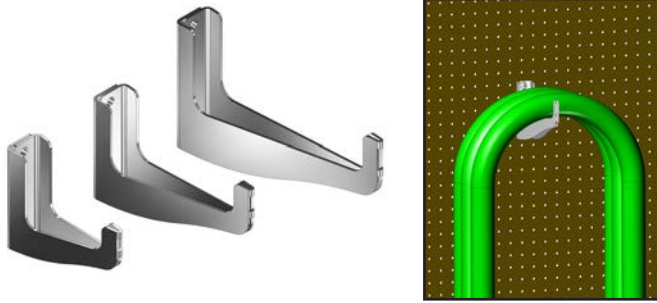
Single Paper Towel Rack ITD1297



Double Paper Towel Rack ITD1296

PART #	DESCRIPTION
ITD1297	Single Paper Towel Holder
ITD1296	Double Paper Towel Holder

2-HOLE ALUMINUM WALL HOOKS



Our Aluminum Wall Hooks are a versatile and easy option to organize your truck, shop, garage, or trailer. We offer hooks in 3", 5", and 7" lengths. The heavy duty aluminum alloy construction gives these hooks a structural rating of 100lbs. Mounting options are nearly endless including pegboard, drywall, and any other flat surfaces. All of the necessary hardware is included to make installation quick and easy. Load rating may be limited by the mounting surface.

PART #	DESCRIPTION
ITD1718	3" Wall Hook (2-Hole)
ITD1719	5" Wall Hook (2-Hole)
ITD1720	7" Wall Hook (2-Hole)

4-HOLE ALUMINUM WALL HOOKS



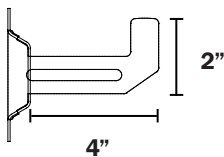
Our Aluminum Wall Hooks are a versatile and easy option to organize your truck, shop, garage, or trailer. We offer hooks in 3", 5", and 7" lengths. The heavy duty aluminum alloy construction gives these hooks a structural rating of 100lbs. Mounting options are nearly endless including pegboard, drywall, and any other flat surfaces. All of the necessary hardware is included to make installation quick and easy. Load rating may be limited by the mounting surface.

PART #	DESCRIPTION
ITD1721	3" Wall Hook (4-Hole)
ITD1722	5" Wall Hook (4-Hole)
ITD1723	7" Wall Hook (4-Hole)

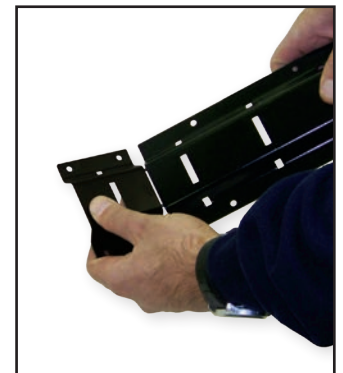
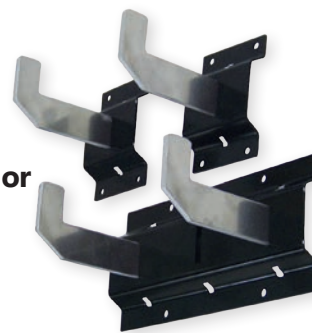
3-IN-1 HOOK RACK

The 3-in-1 Hook Rack has become very popular. With its modular design, the uses are limitless. Each hook has an inside depth of 2 3/4" making it right sized to hang hard hats, extension cords, tape rolls, wire rolls and Teflon tape to name a few. Each 3-in-1 Rack comes with 4 arms that can be installed in any of the 5 slots, so you can choose the spacing. Want to hang a broom? Just snap the outer tabs off and you will have 2 single arms with mounting holes. We call it the 3-in-1 Rack because you can take one rack and turn it into three different ones. Comes in our Tuff Coat Black Finish and has pre-drilled holes for easy installation. Each hook is 4" long and has a individual load rating of 10 lbs.

Product Weight: 2 lbs.



or



PART #	DESCRIPTION
ITD1164	3-IN-1 HOOK RACK

SMALL HAMMER & CORD HOLDER ITD1138

This handy bracket is great for your garage, shop or trailer. The small Hammer and Cord Holder is the perfect solution for hanging small hammers, mallets or small sledge hammers, as well as jumper cables 3/8" air hoses up to 75ft in length and 110 volt extension cords up to 100ft in length. It also works great for hanging Bridles, Ropes and fencing wire. We make this mount right here in Mountain Home Idaho. It is made from marine grade aluminum and has two mounting holes.

- Can Hold Hammers, Mallets, Or Small Sledgehammers
- Stores Jumper Cables, Air Brake Hoses, Straps, Bridles, Slings, Rope, Chain, Etc.
- Comes Pre-Drilled For Easy Installation
- Perfect For 110V Extension Cords, Grinders, And Hammers Up To 10Lbs Each
- Made In The USA

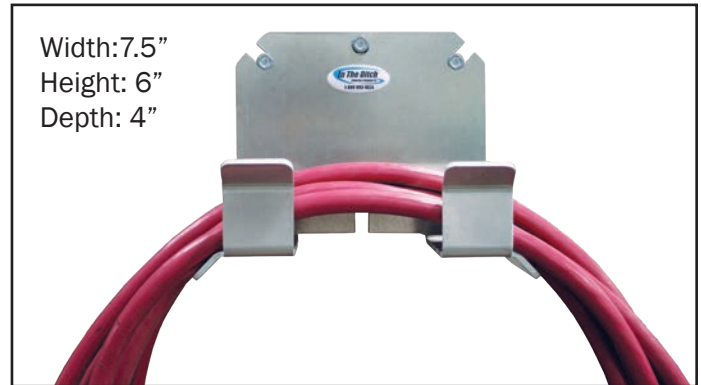


Width: 5 3/8"
Height: 5"
Depth: 2 3/4"

LARGE HAMMER & CORD HOLDER ITD1139

The Large Hammer and Cord Holder is the perfect solution for hanging small hammers, mallets or small sledge hammers, as well as jumper cables 3/8" air hoses up to 100ft and 110 volt extension cords up to 150ft in length and 220 volt cords up to 50ft. This bracket also works great for hanging bridles, ropes and fencing wire. We make this mount right here in Mountain Home Idaho. It is made from marine-grade aluminum and has two mounting holes. If you want a larger holder please check out our XL Cord Mount.

- Can Hold Hammers, Mallets, Or Medium Sledgehammers
- Stores Jumper Cables, Air Brake Hoses, Straps, Bridles, Slings, Rope, Chain, Etc.
- Comes Pre-Drilled For Easy Installation
- Perfect For 110V Extension Cords, Grinders, And Hammers Up To 10Lbs Each
- Made In The USA



Width: 7.5"
Height: 6"
Depth: 4"

EXTRA LARGE HOSE/BROOM RACK ITD1250

This is the In The Ditch™ storage solution for those larger items such as sledge hammers, jumper cables, air brake hoses, straps, bridles, synthetic slings and rope. This rack will easily hold 75ft of 3/4 garden hose. These are perfect for your boat, truck, shop or home. Rack is made from aluminum and is pre-drilled for easy installation.

- Can Store Larger Items (Sledgehammers, Jumper Cables, Air Brake Hoses, Straps, Etc.)
- Can Easily Hold 75Ft Of 3/4 Garden Hose
- Perfect For Your Boat, Truck, Shop, Or Home
- Made From Aluminum And Pre-Drilled For Easy Installation



Width: 10.5"
Height: 5 3/4"
Depth: 5.5"

PART #	DESCRIPTION
ITD1138	Small Cord Holder
ITD1139	Large Cord Holder
ITD1250	XL Hose Rack

QUART RACKS

These quart racks by In The Ditch™ are great for organizing all of your oil and quart bottles. Just mount this to your garage wall and fill with 3 or 6 quarts of oil. After you change your oil the rack will be empty reminding you to refill it. This rack not only works great in your garage, it is also a great way to organize your truck. Made from aluminum and pre-drilled with mounting holes.

- Great For Organizing Your Oil And Quart Bottles
- Great Way To Visually Remind You Of Your Oil Changes
- Perfect For Your Garage, And Even Your Truck
- Made From Aluminum
- Pre-Drilled For Easy Installation
- Made In The USA



3 CAN RECTANGULAR QUART RACK ITD1165



6 CAN RECTANGULAR QUART RACK ITD1168

PART #	DESCRIPTION
ITD1165	Quart Rack 3 Can Holder
ITD1168	Quart Rack 6 Can Holder

AEROSOL CAN BRACKETS

Aerosol Can Brackets by In The Ditch™ are perfect for your shop, garage or trailer to keep your aerosols handy. Mounts can be installed by taping on with 3M double-sided VHB tape or by using 3/16" self-tapping screws in the provided mounting holes.

- Perfect For Your Shop, Garage, Or Trailer
- Keep Your Aerosols Handy
- Can Be Installed With Self-Tapping Screws, Or By Using 3M Double-Sided VHB Tape
- Made In The USA



3 CAN AEROSOL CAN MOUNT ITD1104



6 CAN AEROSOL CAN MOUNT ITD1020

PART #	DESCRIPTION
ITD1104	Aerosol 3 Can Holder
ITD1020	Aerosol 6 Can Holder



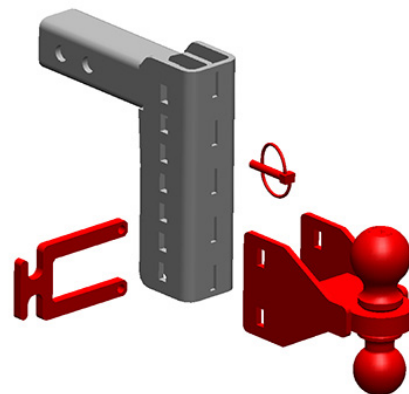
TOWING



WORKMAN HITCH KITS



MADE IN USA



The XD™ Workman Kits include a XD™ Adjustable Platform, XD™ Ball Mount with 2" and 2 5/16" balls, and XD™ Lockable Side Pin. The XD™ Workman Kits are a great choice for 3/4 and 1 ton pickups with lifts up to 4 inches. The XD™ Ball Mount on the XD™ Hitch can also be stored in a reverse position under the bumper for out of the way storage. The XD™ Workman Hitch Kits have a 10,000 lb tow capacity, 1,200 lb tongue capacity, V-5 rating and meets or exceeds all SAE standards. Made In USA from Steel, and features a Black Tuff Coat Finish. These hitches were designed by us because we live in rural Idaho and needed an adjustable hitch that could hold up to heavy use on the ranch. They work so well, we even received a US Patent. Everytime you purchase an Inventive Products Item you are putting people to work and we truly thank you for that. If you have any questions just give us a shout. We are here to make sure you are 100% happy with our products.



- This Is A Great Choice For Most Stock Midsize/Fullsize Suv's And Pickups, 1/2 Ton And Under
- Our Most Popular Hitch
- Has Up To 6" Of Drop And 5" Of Rise
- 10" Drop And 8-3/4" Of Rise
- Great for 6" Lifts



PART #	DESCRIPTION
ITD9210	3" Workman Kit
ITD9125	6" Workman Kit
ITD9212	10" Workman Kit

SWIVEL-LOC® HITCH KITS



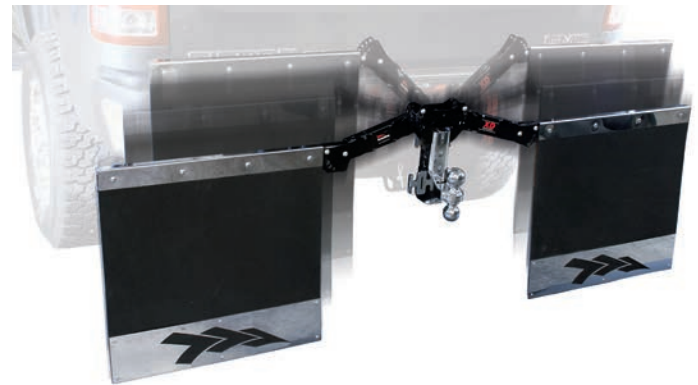
The innovative Swivel-Loc® Trailer Hitch allows for misalignment when backing up to your trailer. The Adjustable Swivel-Loc® Hitch has a Zinc Plated Hitch Tongue and slides on a Nylatron Wear Pad. The Swivel-Loc® Hitch has more than 180 degrees of swivel angle and moves in and out to cover an arc up to 10 inches away from the original hitch ball location. This gives you many different angles and distances from the hitch to reach your trailer tongue.

- Patented Design
- A Real Time Saver When Hooking Up A Trailer
- 180 Degrees Of Tongue Swivel And 10" Arc
- 6,000 lbs. Tow Rating And 600 lbs. Tongue Rating
- V-5 Rating, Meets All Sae Standards
- Fits All Pickups With Standard 2" Receiver
- Accepts 1" Shank Trailer Ball (Ball Not Included)

PART #	DESCRIPTION
ITD9108	Standard Swivel-Loc®
ITD9110	6" Drop Swivel-Loc®

XD™ MUD FLAPS

Our XD™ Removable Mud Flaps is a perfect way to keep road debris from flying up and hitting your trailer. Installation is a snap! All you do is install our XD™ Quick Mount to your hitch and the XD™ Mud Flap just slips onto the XD™ Quick Mount with one pin. Removing the XD™ Mud Flap is just as easy! Simply pull one locking pin and lift the XD™ Mud Flap off, no tools are needed. Our Quick Mount system allows you to easily remove the XD™ Mud Flap when you don't need it.



Includes the complete XD™ Mud Flap Package as shown in the pictures. (does not include trailer hitch.) This product is proudly made in the USA.

- Fits All Hitches
- Works Great With All Stock Or Lifted Pickups
- Winner Of The 2011 S.e.m.a. Global Media Award
- Winner Awarded By The Nation's Top Automotive Magazine Writers For Its Innovawtive And Useful Design



PART #	DESCRIPTION
ITD9401	XD™ Mud Flap Kit (For 2" x 2" receivers)