

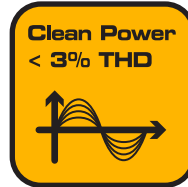
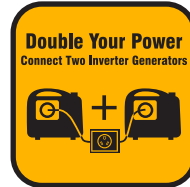
# W03082

## 3000 Watts Generator

# FIRMAN®

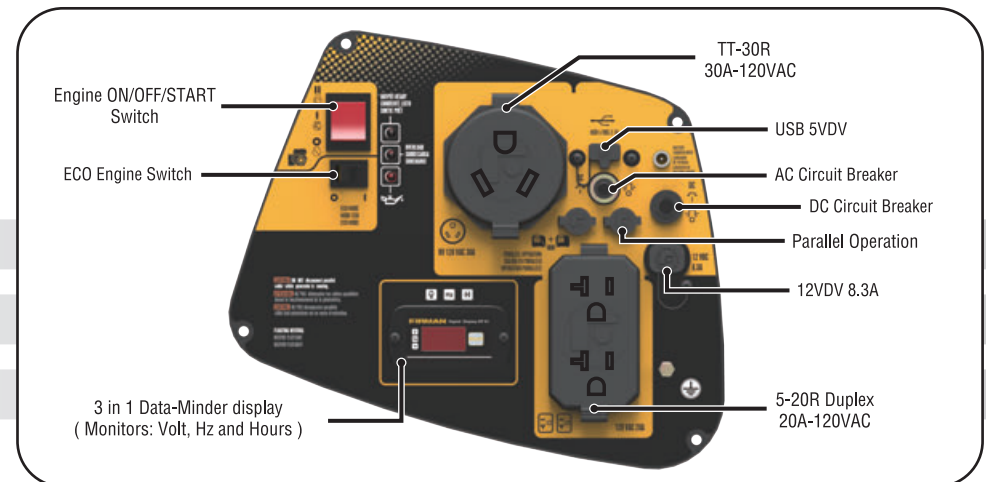
Whisper series

Running / Starting Watts: 3000/3300



## Features & Benefits

- Fuel Economy Mode - reduces fuel consumption and promotes engine efficiency.
- The FIRMAN OHV electric start engine ( Max-Pro Series) for longer life/higher performance/lower maintenance.
- Cast iron sleeved engine for long durability with automatic low oil shutdown protection.
- Largest tank in industry with extended run-time (less re-fueling).
- Quiet muffler (Whisper Series) with USDA FS certified spark arrester.
- Conveniently located multi-featured control panel with FIRMAN custom designed outlet cover protecting outlets from dirt, dust and debris.
- 3 in 1 Data-Minder monitors running hours, voltage and frequency in conjunction.
- Bonus accessories including engine oil, oil funnel, tool kit and battery charge cable.
- Included battery for your convenience.



# W03082

## 3000 Watts Generator

# FIRMAN®

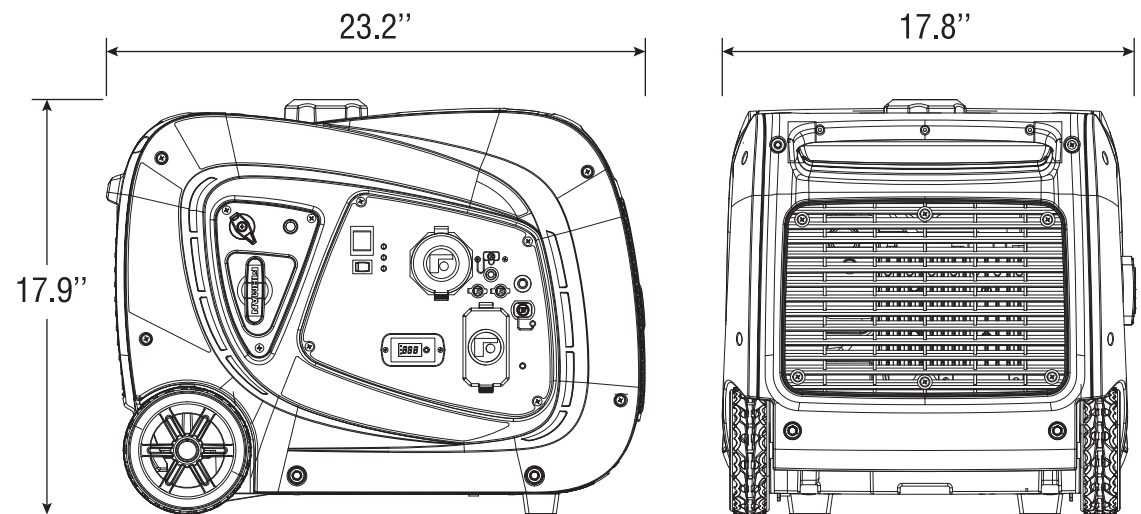
### Whisper series

### Specification

Model /Rev Level	W03082 / 00
UPC	840876130827
50 States	Yes
California (CARB)	Yes
Canada (CETL)	Yes
Running Watts	3000
Starting Watts	3300
Frequency (Hz)	60
Engine Displacement (cc)	171
Engine Type	OHV
Starting System	Recoil / Electric
Cylinder	Single
Fuel Type	Gasoline
Low Oil Shutdown	Yes
Cast Iron Sleeve	Yes
Brushed or Brushless Alternator	Brushless
Inverter	Yes
Fuel Tank Volume (Gal)	1.8
Fuel Gauge	No
Runtime @25% load (hours)	9.0
USDA FS Certified Spark Arrester	Yes



Battery	Yes
Accessories	Oil Bottle-Funnel-Tool Kit -Battery Charger Cable
Warranty Residential / Commercial (years)	3 Yrs Ltd / 90 Days
Carton LxWxH (inch)	26.6 x 18.9 x 19.3
Unit Weight (lbs)	90
Shipping Weight (lbs)	105



Learn more about generators we have.