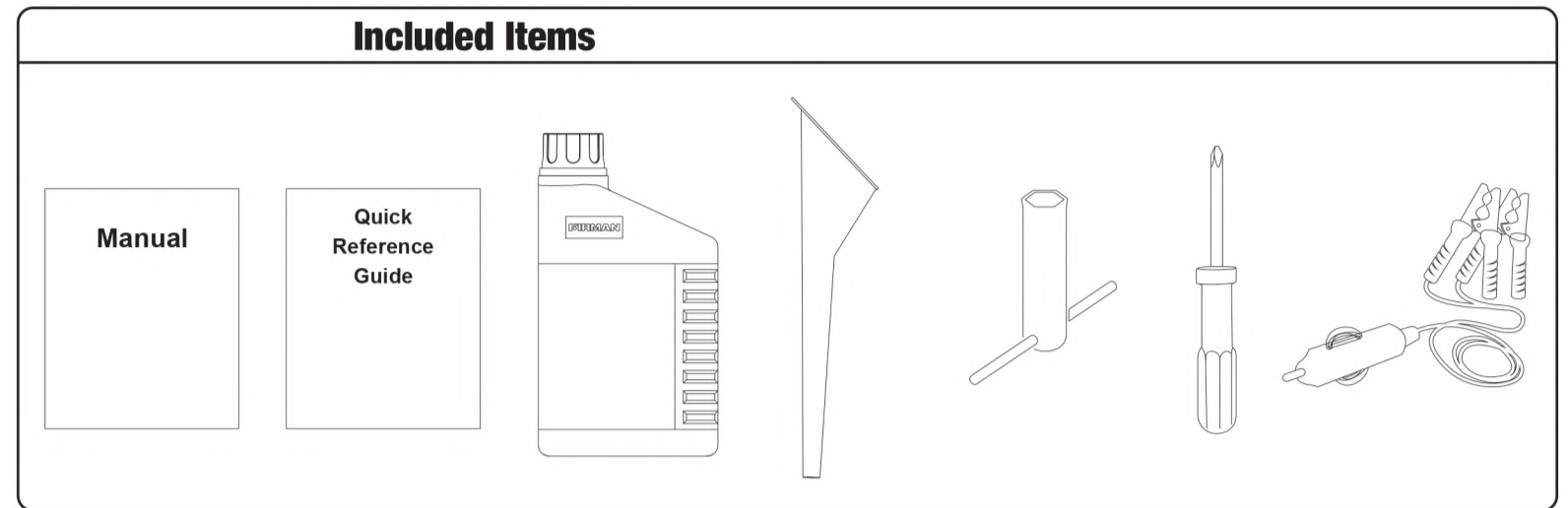


## Quick Reference Guide

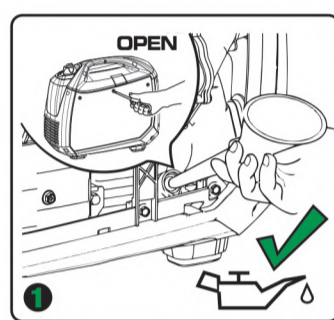
**⚠ WARNING** This Quick Reference Guide is not substitute for reading the operator's manual. **To reduce the risk of injury or death, user must read and understand the operator's manual before using this product.** All pages references to the operator's manual.

**1** **Unpack Generator:** Remove generator, accessories, inserts and literature from carton.



**2** **Add Lubricant and Fuel**

Use a funnel to pour provided engine oil into engine. Fill to the upper mark of the oil dipstick **H**.

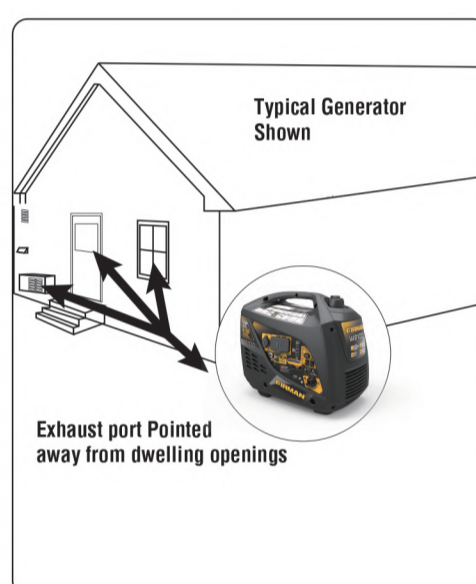


Use clean/fresh regular UNLEADED gasoline with a minimum 87 octane.

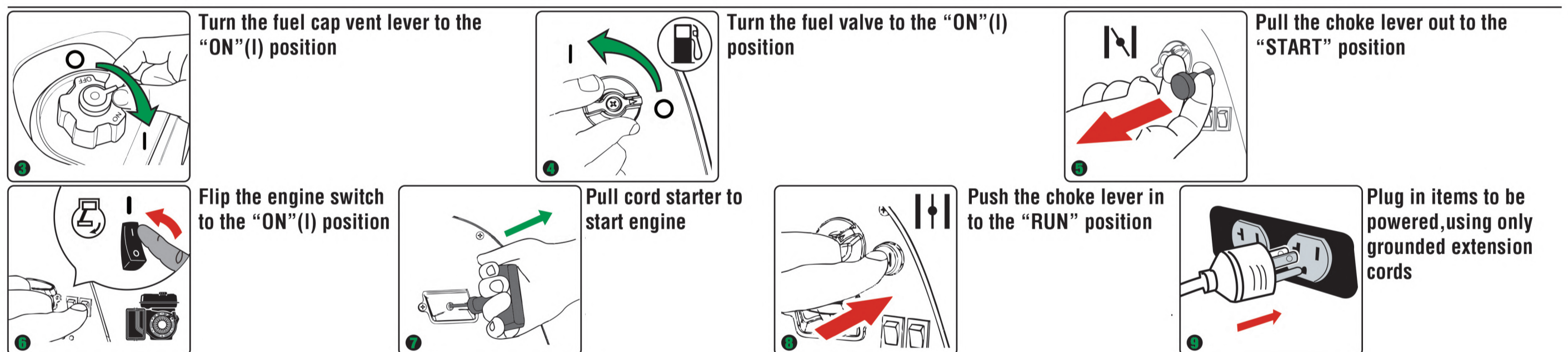


**3** **Start Generator**

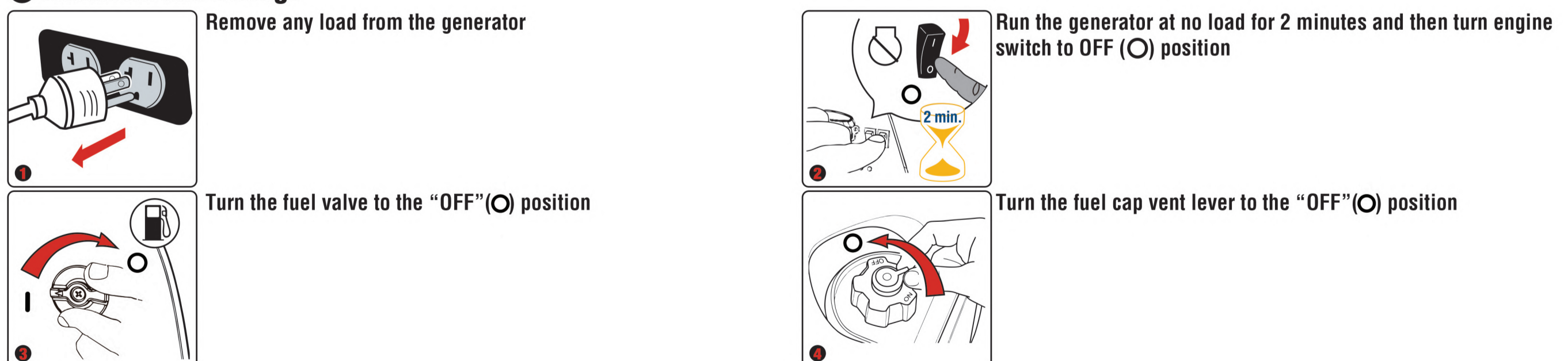
Move generator outside to a flat, level surface, away from doors, windows and vents.



**⚠ WARNING** Do not overload generator or electrical cords. Consult operation manual.



**4** **Shutdown and Storage**



If generator is to be stored for longer than 30 days, refer to The operator's manual for further instruction.