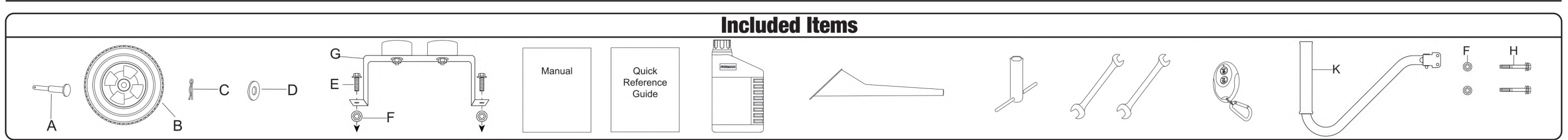


## Quick Reference Guide

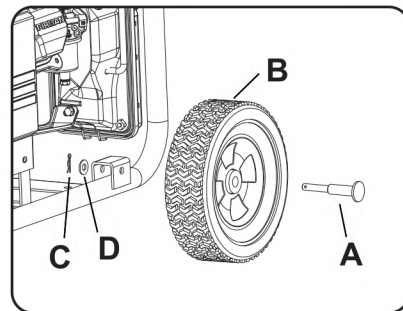
**⚠ WARNING** This Quick Reference Guide is not substitute for reading the operator's manual. **To reduce the risk of injury or death, user must read and understand the operator's manual before using this product.** All pages references to the operator's manual.

**1** **Unpack Generator:** Remove generator, accessories, inserts and literature from carton.

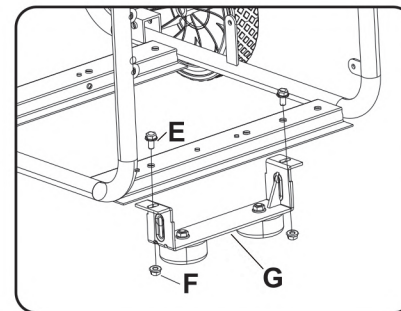


### 2 Install the wheel kit

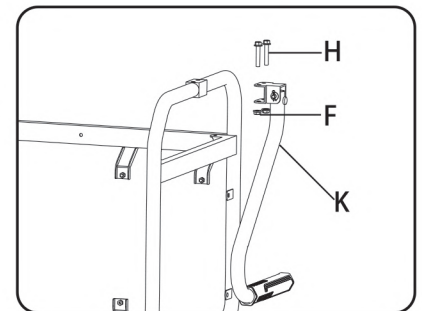
Slide the axle pin(A) through the wheel(B) and mount point on the frame and flat washer(D). Secure them with cotter pin(C).



Attach the support leg(G) to the generator frame with flange bolt (E)(M8X16) and flange lock nut(F)(M8).



Secure handle(K) to the frame using bolt(H) (M8x50) and flange nut(F) (M8).

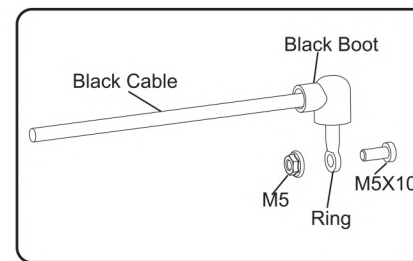


### 3 Battery Cable Connection

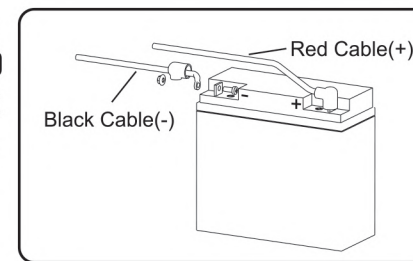
You will need to use 8mm box wrenches to connect the battery cables to battery.

NOTE: The generator comes equipped with the positive red cable(red boot) already attached.

1. Verify the positive (+) battery cable (red boot) is securely tightened to the positive (+) battery post. Make sure boot is over battery post



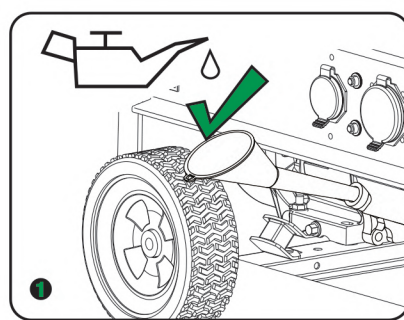
2. Remove bolt M5X10 and M5 nut from black cable ring



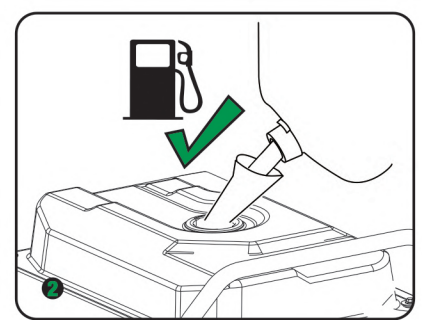
3. Remove vinyl cap from the negative(-) battery post. Locate negative (-) black cable and route to the negative(-) battery post. Tight the cable with bolt M5X10 and M5 nut. Cover the post with black boot

### 4 Add Lubricant and Fuel

Use a funnel to pour provided engine oil into engine. Fill to the upper mark of the oil dipstick H.

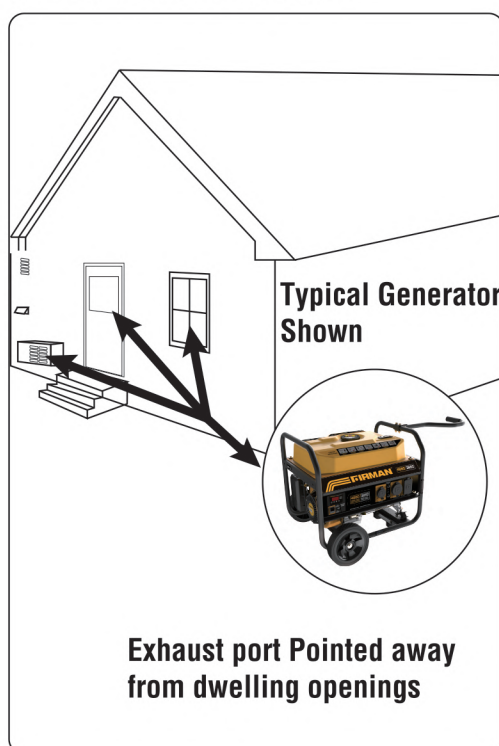


Use clean/fresh regular UNLEADED gasoline with a minimum 87 octane.



### 5 Start Generator

Move generator outside to a flat, level surface, away from doors, windows and vents.



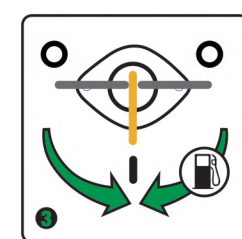
**⚠ DANGER**

Using a generator indoors CAN KILL YOU IN MINUTES.  
Generator exhaust contains carbon monoxide.  
This is a poison you cannot see or smell.

NEVER use inside a home or garage, EVEN IF doors and windows are open.

Only use OUTSIDE and far away from windows, doors, and vents.

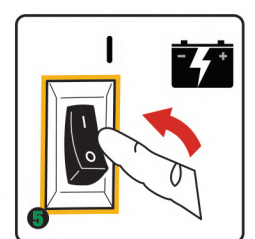
Avoid other generator hazards.  
READ MANUAL BEFORE USE.



Turn fuel valve under tank to ON ( I ) position

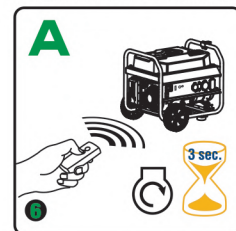


Turn engine switch located on control panel to RUN ( I ) position



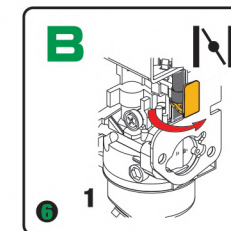
Flip the battery switch to the ON ( I ) position

#### Remote Start

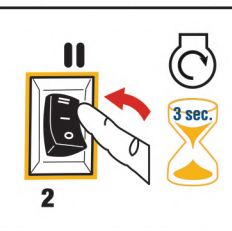


Push and release the START button

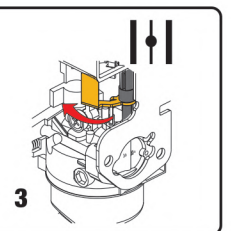
#### Electrical Start



Move choke lever located on engine to START position

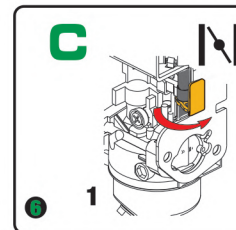


Flip the engine switch to the START ( II ) position

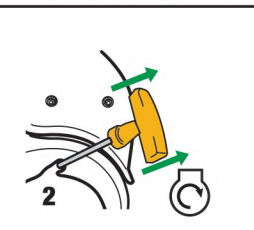


Move choke lever to RUN Position

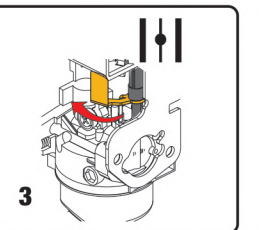
#### Recoil Start



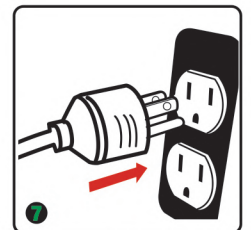
Move choke lever located on engine to START position



Pull cord starter to start engine

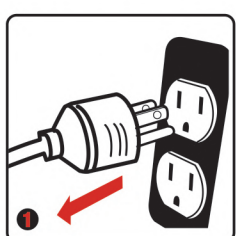


Move choke lever to RUN Position



Plug in items to be powered, using only grounded extension cords

### 6 Shutdown and Storage



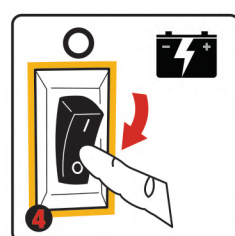
Remove any load from the generator



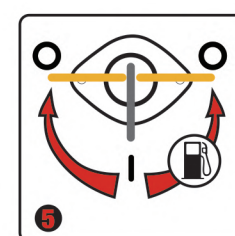
Push and release the "STOP" button on the remote control. SKIP THIS STEP, IF YOU ARE NOT USING REMOTE START



Run the generator at no load for 2 minutes and then turn engine switch to OFF ( O ) position



Flip the battery switch to the OFF ( O ) position



Turn fuel valve to OFF ( O ) position

#### NOTE:

THE BATTERY SWITCH ALWAYS SHOULD BE IN "OFF" ( O ) POSITION AT THE END OF USE TO PREVENT BATTERY DRAIN.

If generator is to be stored for longer than 30 days, refer to The operator's manual for further instruction.