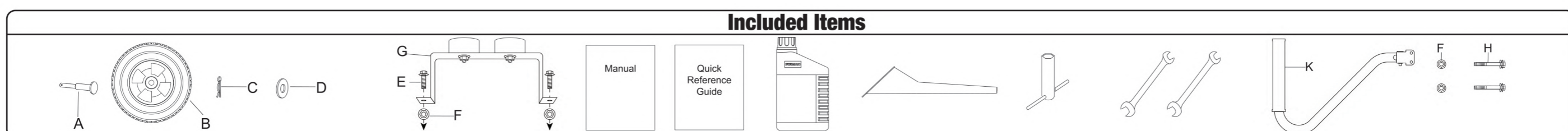


Quick Reference Guide

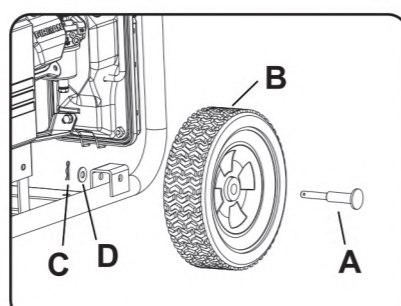
⚠ WARNING This Quick Reference Guide is not substitute for reading the operator's manual. **To reduce the risk of injury or death, user must read and understand the operator's manual before using this product.** All pages references to the operator's manual.

1 Unpack Generator: Remove generator, accessories, inserts and literature from carton.

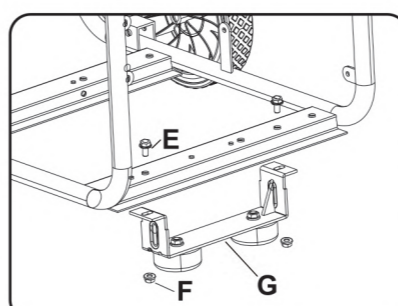


2 Install the Wheel Kit

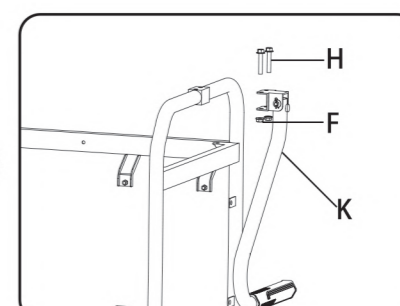
Slide the axle pin(A) through the wheel(B) and mount point on the frame and flat washer(D). Secure them with cotter pin(C).



Attach the support leg (G) to the generator frame with flange bolt E (M8X16) and flange lock nut F (M8).

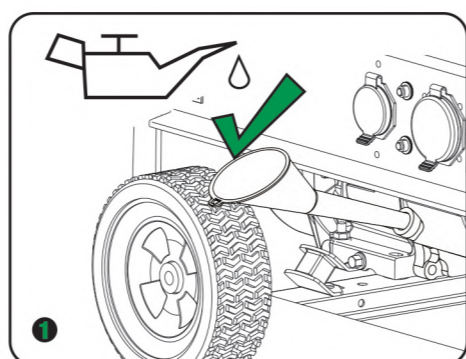


Secure handle K to the frame using bolt H (M8x50) and flange nut F (M8).

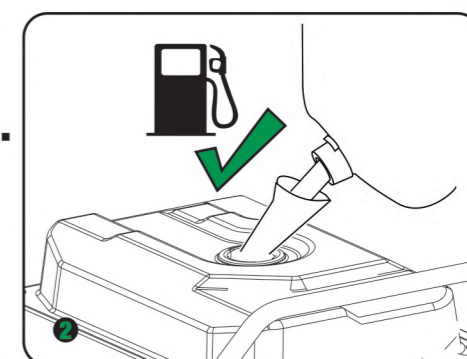


3 Add Lubricant and Fuel

Use a funnel to pour provided engine oil into engine. Fill to the upper mark of the oil dipstick H.

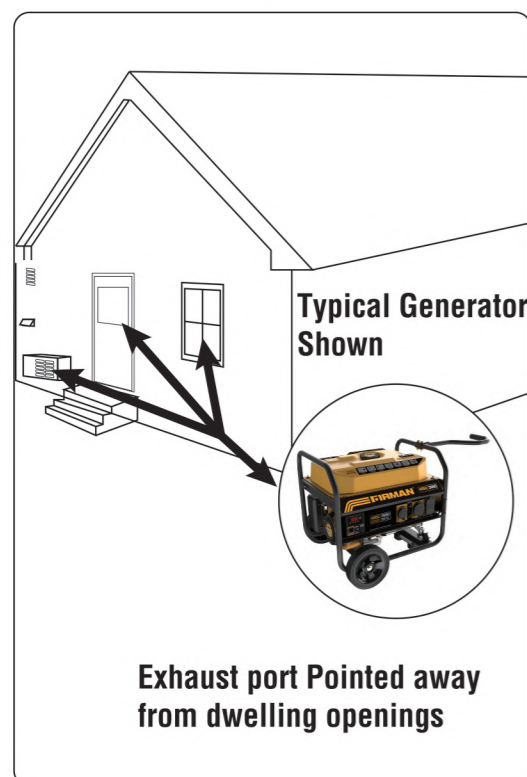


Use clean/fresh regular UNLEADED gasoline with a minimum 87 octane.



4 Start Generator

Move generator outside to a flat, level surface, away from doors, windows and vents.



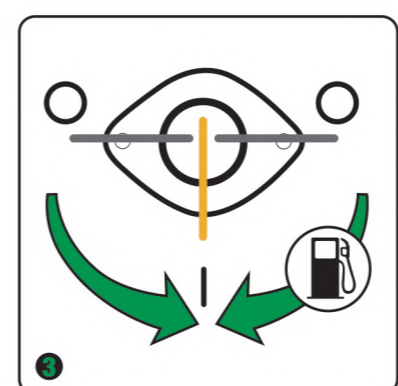
⚠ DANGER

Using a generator indoors CAN KILL YOU IN MINUTES. Generator exhaust contains carbon monoxide. This is a poison you cannot see or smell.

NEVER use inside a home or garage, EVEN IF doors and windows are open.

Only use OUTSIDE and far away from windows, doors, and vents.

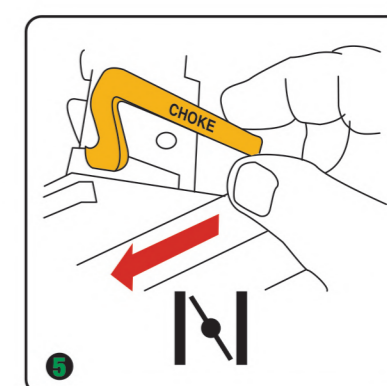
Avoid other generator hazards. READ MANUAL BEFORE USE.



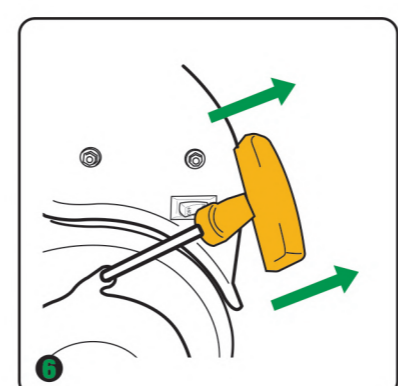
Turn fuel valve under tank to ON (I) position



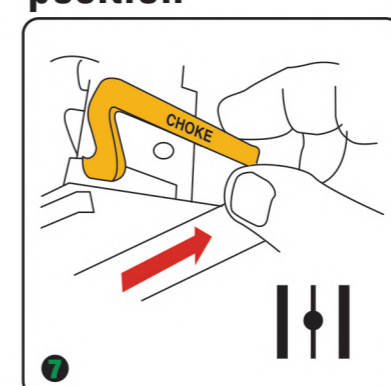
Turn engine switch located on control panel to ON (I) position



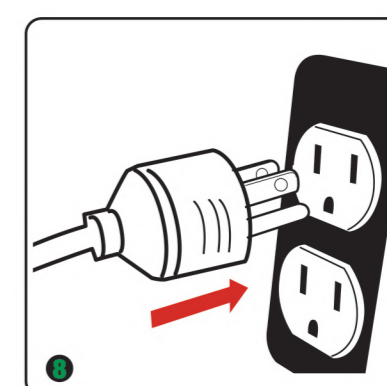
Move choke lever located on engine to START position



Pull cord starter to start engine



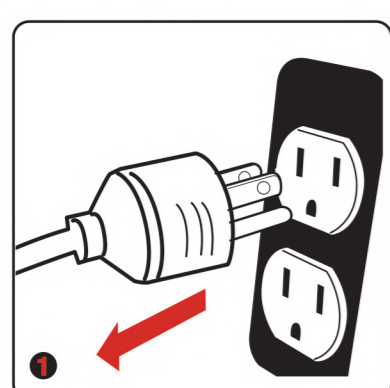
Move choke lever to RUN Position



Plug in items to be powered, using only grounded extension cords

⚠ WARNING Do not overload generator or electrical cords. Consult operation manual.

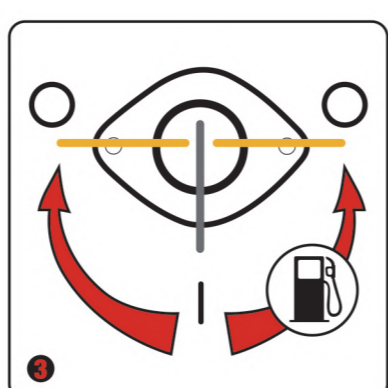
5 Shutdown and Storage



Remove any load from the generator



Run the generator at no load for 2 minutes and then turn engine switch to OFF (O) position



Turn fuel valve to OFF (O) position

If generator is to be stored for longer than 30 days, refer to The operator's manual for further instruction.