

P03611

3650 Watts Generator

FIRMAN®

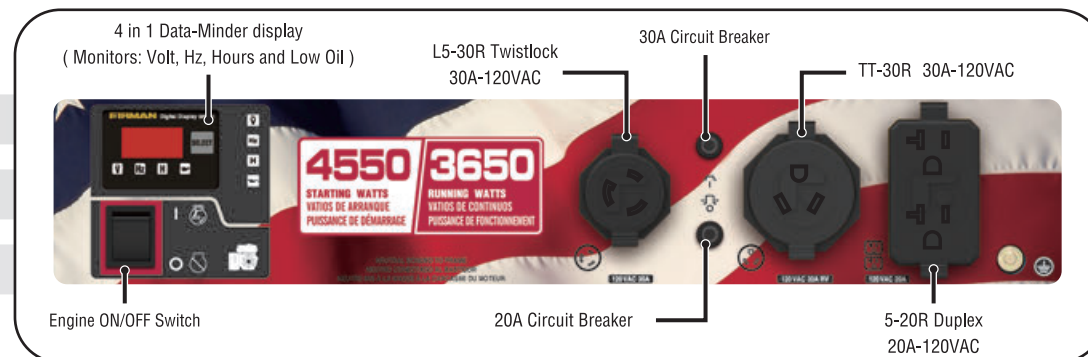
Performance series

Running / Starting Watts: 3650/4550



Features & Benefits

- The FIRMAN OHV engine (Max-Pro Series) for longer life/higher performance/lower maintenance.
- Cast iron sleeved engine for long durability with automatic low oil shutdown protection.
- Largest tank in the industry with extended run-time (less re-fueling) with integrated fuel gauge for convenience.
- Quiet muffler (Whisper Series) with USDA FS certified spark arrester.
- Conveniently located multi-featured control panel with FIRMAN custom designed outlet cover protecting outlets from dirt, dust and debris.
- 4 in 1 Data-Minder monitors running hours, voltage and frequency in conjunction with our low oil indicator light.
- Durable compact roll-cage frame design with 1.0" steel tubing.
- FIRMAN newly designed AVR (Automatic Voltage Regulator) VL (Volt-Lock) Series.
- Bonus accessories including engine oil, oil funnel and tool kit.



P03611

3650 Watts Generator

FIRMAN®

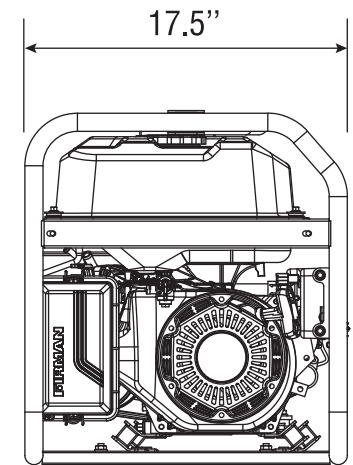
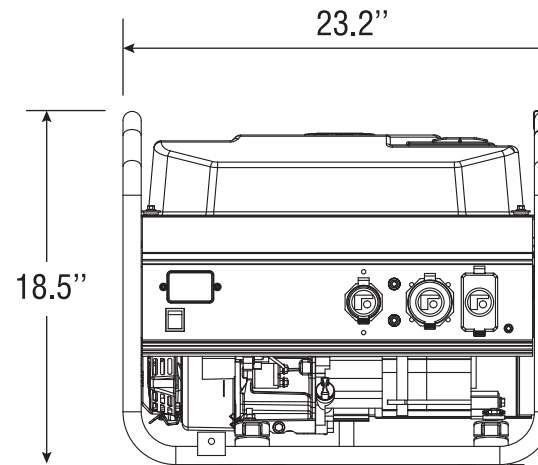
Performance series

Specification

Model /Rev Level	P03611 / 00
UPC	840876136119
49 States	Yes
California (CARB)	No
Canada (CETL)	No
Running Watts	3650
Starting Watts	4550
Frequency (Hz)	60
Engine Displacement (cc)	208
Engine Type	OHV
Starting System	Recoil
Cylinder	Single
Fuel Type	Gasoline
Low Oil Shutdown	Yes
Cast Iron Sleeve	Yes
Brushed or Brushless Alternator	Brushed
Automatic Voltage Regulator (AVR)	Yes
Fuel Tank Volume (Gal)	5.0
Fuel Gauge	Yes
Runtime @50% load (hours)	14.0
USDA FS Certified Spark Arrester	Yes



Handle	No
Wheel	No
Battery	No
Accessories	Oil Bottle-Funnel-Tool Kit
Warranty Residential / Commercial	3 Yrs Ltd / 90 Days
Carton LxWxH (inch)	24 x 18.1 x 19.9
Unit Weight (lbs)	101.5
Shipping Weight (lbs)	110



Learn more about generators we have.