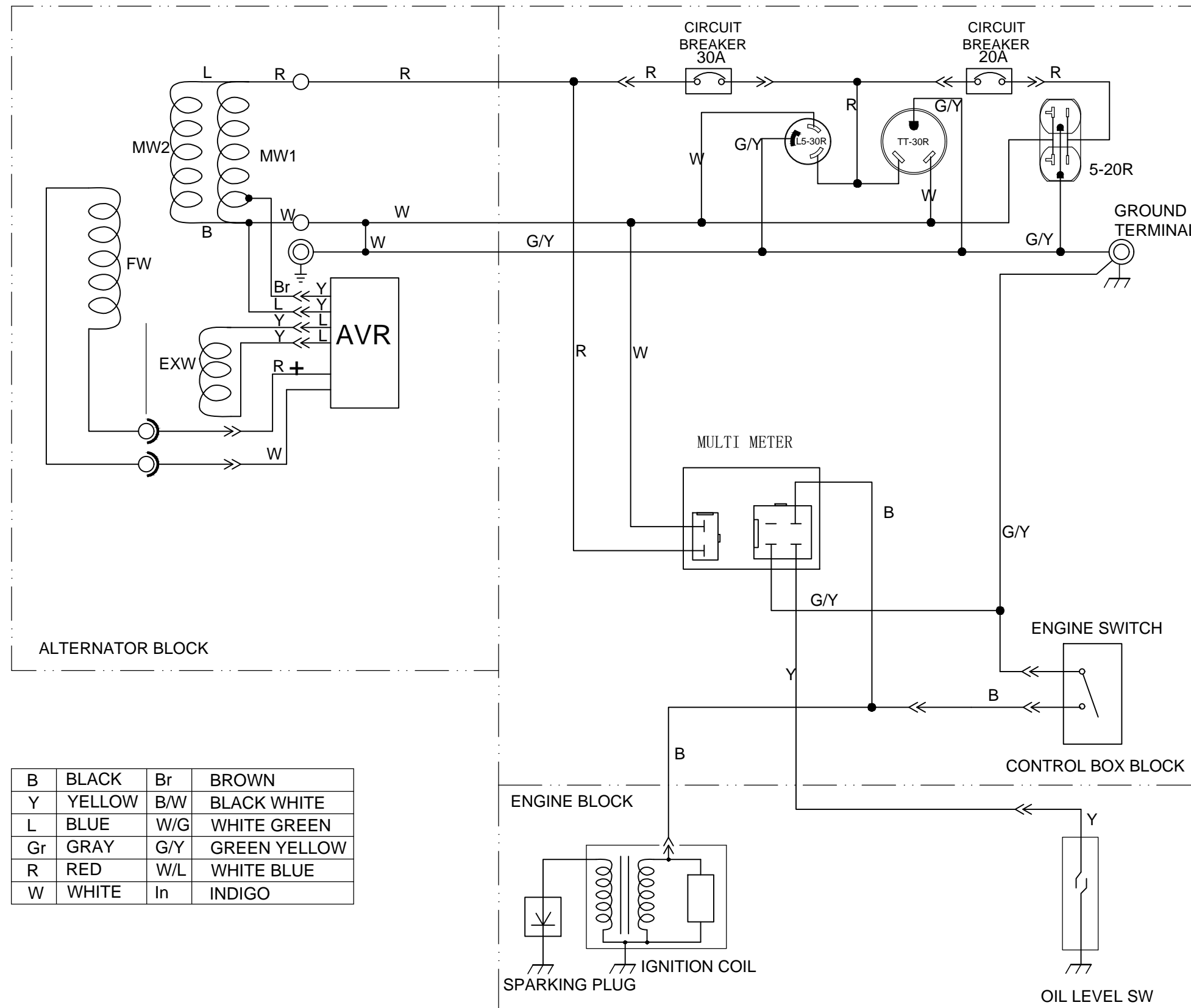


FIRMAN POWER EQUIPMENT

MODEL P03609, REV LEVEL: 00

Grounding System (AC): Neutral Bonded To Frame



P/N	33600017
REVISION	01

[View other generators made by Firman on our website.](#)