

# P03602

## 3650 Watts Generator

# FIRMAN®

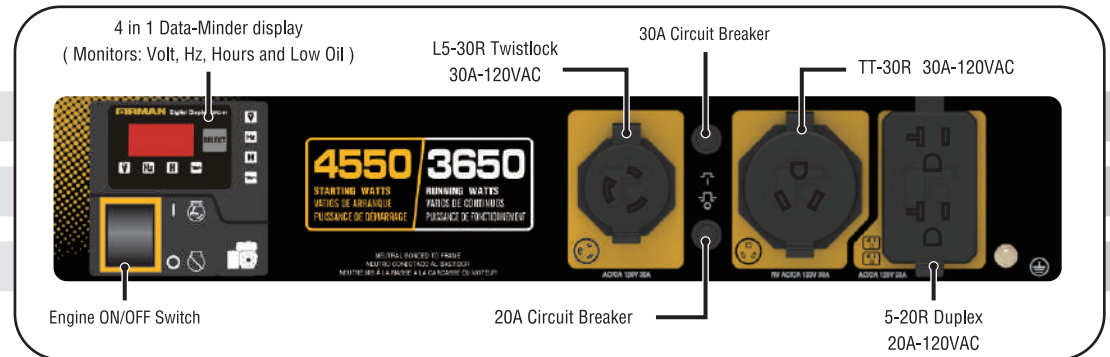
### Performance series

### Running / Starting Watts: 3650/4550



### Features & Benefits

- The FIRMAN OHV engine (Max-Pro Series) for longer life/higher performance/lower maintenance.
- Cast iron sleeved engine for long durability with automatic low oil shutdown protection.
- Largest tank in the industry with extended run-time (less re-fueling) with integrated fuel gauge for convenience.
- Quiet muffler (Whisper Series) with USDA FS certified spark arrester.
- Conveniently located multi-featured control panel with FIRMAN custom designed outlet cover protecting outlets from dirt, dust and debris.
- 4 in 1 Data-Minder monitors running hours, voltage and frequency in conjunction with our low oil indicator light.
- Wheel Kit with heavy duty and over size flat free wheels with high leverage single folding handle with grip for easy maneuver.
- Durable compact roll-cage frame design with 1.0" steel tubing.
- FIRMAN new designed AVR (Automatic Voltage Regulator) VC (Volt-Lock) Series.
- Bonus accessories including engine oil, oil funnel and tool kit.
- 3 year warranty: best in industry.



# P03602

## 3650 Watts Generator

# FIRMAN®

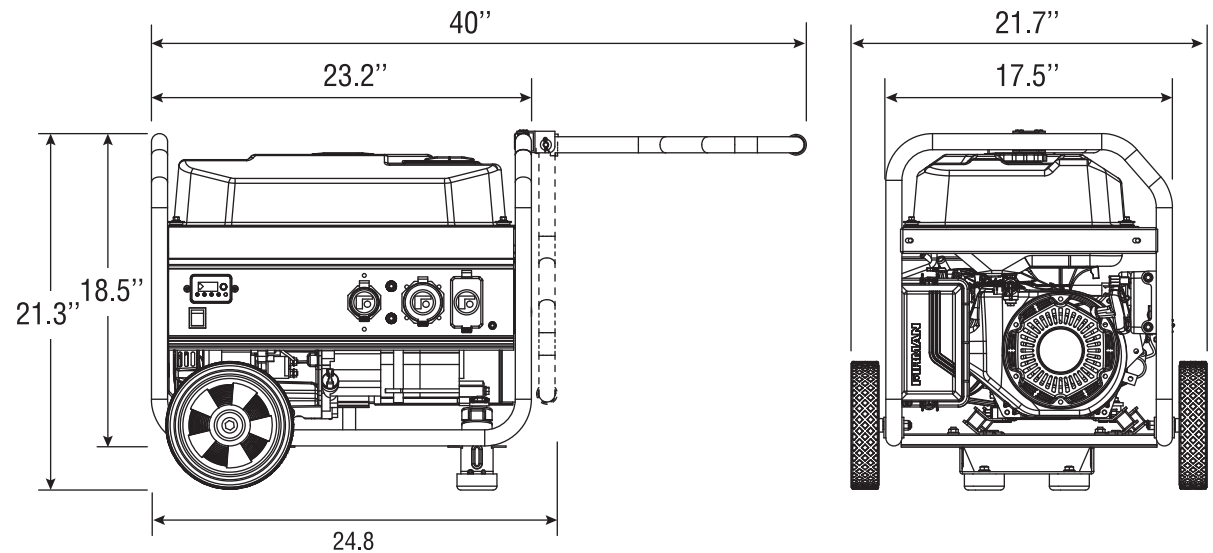
Performance series

### Specification

Model /Rev Level	P03602 / 01
UPC	840876136027
49 States	Yes
California (CARB)	No
Canada (CETL)	Yes
Running Watts	3650
Starting Watts	4550
Frequency (Hz)	60
Engine Displacement (cc)	208
Engine Type	OHV
Starting System	Recoil
Cylinder	Single
Fuel Type	Gasoline
Low Oil Shutdown	Yes
Cast Iron Sleeve	Yes
Brushed or Brushless Alternator	Brushed
Automatic Voltage Regulator (AVR)	Yes
Fuel Tank Volume (Gal)	5.0
Fuel Gauge	Yes
Runtime @50% load (hours)	14.0
USDA FS Certified Spark Arrester	Yes



Handle	Single Folding
Wheel	8.0" Flat Free
Battery	No
Accessories	Oil Bottle-Funnel-Tool Kit
Warranty Residential / Commercial	3 Yrs Ltd / 90 Days
Carton LxWxH (inch)	27.2 x 18.1 x 19.9
Unit Weight (lbs)	108.5
Shipping Weight (lbs)	117



Shop for quality Firman products on our website.

Learn more about generators we have.