

PO1202

1200 Watts Generator

FIRMAN®

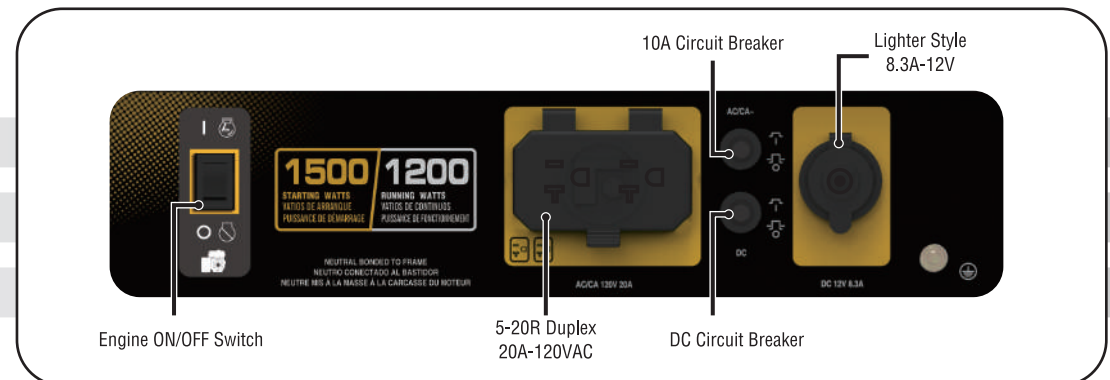
Performance series

Running / Starting Watts: 1200/1500



Features & Benefits

- The FIRMAN OHV engine (Max-Pro Series) for longer life/higher performance/lower maintenance.
- Cast iron sleeved engine for long durability with automatic low oil shutdown protection.
- Largest tank in industry with extended run-time (less re-fueling) with built-in tank gauge for convenience.
- Quiet muffler (Whisper Series) with USDA FS certified spark arrester.
- Conveniently located multi-featured control panel with FIRMAN custom designed outlet cover protecting outlets from dirt, dust and debris.
- Durable compact roll-cage frame design with 0.75" steel tubing.
- Bonus accessories including engine oil, oil funnel and tool kit.
- 3 year warranty: best in industry.



P01202

1200 Watts Generator

FIRMAN®

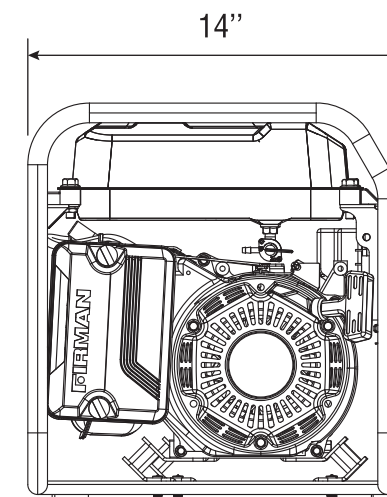
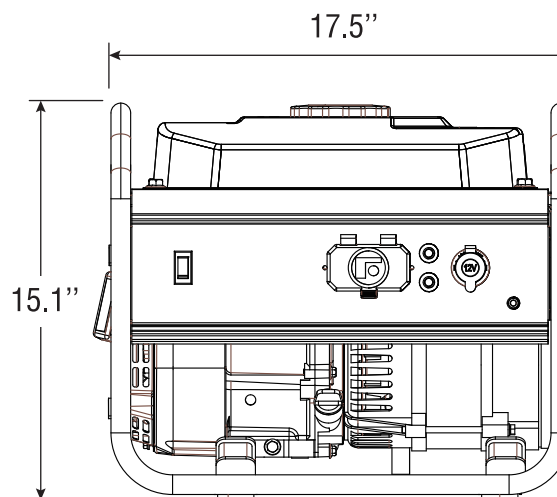
Performance series

Specification

| | |
|-----------------------------------|--------------|
| Model /Rev Level | P01202 / 00 |
| UPC | 840876112021 |
| 49 States | Yes |
| California (CARB) | Yes |
| Canada (CETL) | Yes |
| Running Watts | 1200 |
| Starting Watts | 1500 |
| Frequency (Hz) | 60 |
| Engine Displacement (cc) | 80 |
| Engine Type | OHV |
| Starting System | Recoil |
| Cylinder | Single |
| Fuel Type | Gasoline |
| Low Oil Shutdown | Yes |
| Cast Iron Sleeve | Yes |
| Brushed or Brushless Alternator | Brushless |
| Automatic Voltage Regulator (AVR) | No |
| Fuel Tank Volume (Gal) | 1.7 |
| Fuel Gauge | Yes |
| Runtime @50% load (hours) | 10.0 |
| USDA FS Certified Spark Arrester | Yes |



| | |
|-----------------------------------|----------------------------|
| Handle | No |
| Wheel | No |
| Battery | No |
| Accessories | Oil Bottle-Funnel-Tool Kit |
| Warranty Residential / Commercial | 3 Yrs Ltd / 90 Days |
| Carton LxWxH (inch) | 20.3 x 15.8 x 17.6 |
| Unit Weight (lbs) | 54 |
| Shipping Weight (lbs) | 61 |



Learn more about generators we have.