

# PO1201

## 1200 Watts Generator

# FIRMAN®

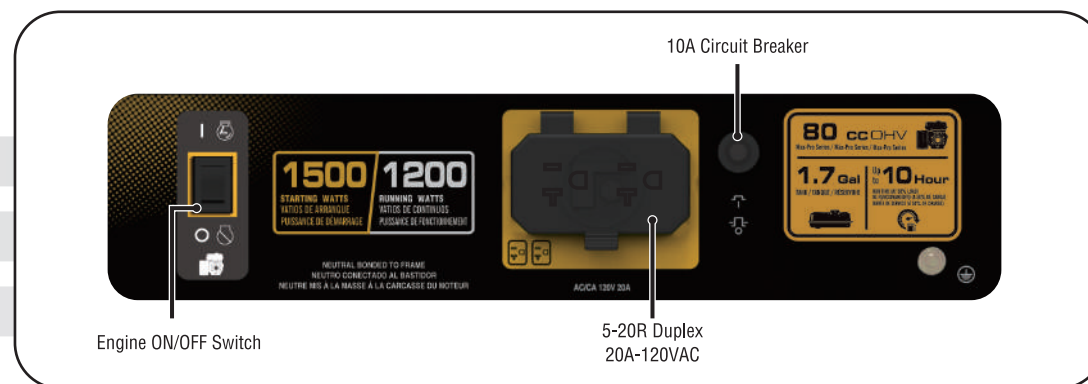
Performance series

Running / Starting Watts: 1200/1500



## Features & Benefits

- The FIRMAN OHV engine (Max-Pro Series) for longer life/higher performance/lower maintenance.
- Cast iron sleeved engine for long durability with automatic low oil shutdown protection.
- Largest tank in industry with extended run-time (less re-fueling) with built-in tank gauge for convenience.
- Quiet muffler (Whisper Series) with USDA FS certified spark arrester.
- Conveniently located multi-featured control panel with FIRMAN custom designed outlet cover protecting outlets from dirt, dust and debris.
- Durable compact roll-cage frame design with 0.75" steel tubing.
- Bonus accessories including engine oil, oil funnel and tool kit.
- 3 year warranty: best in industry.



# P01201

## 1200 Watts Generator

# FIRMAN®

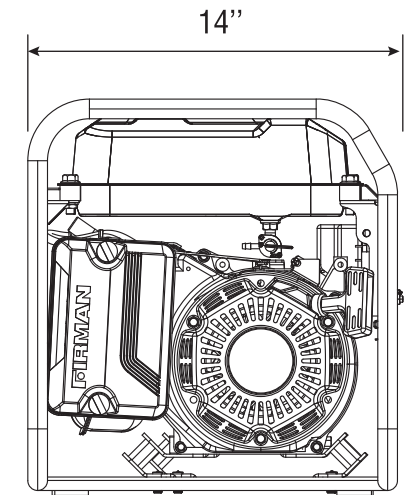
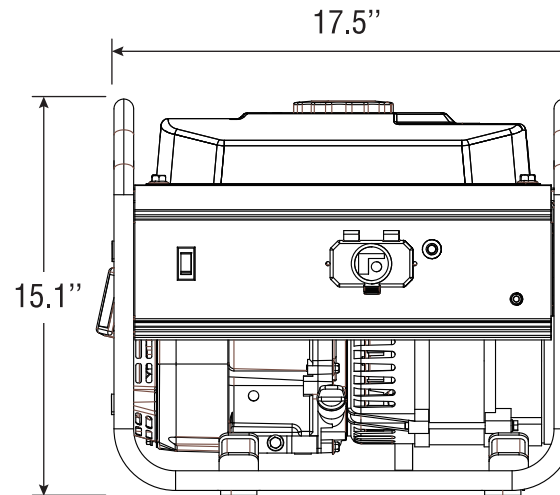
Performance series

### Specification

Model /Rev Level	P01201 / 00
UPC	840876112014
49 States	Yes
California (CARB)	Yes
Canada (CETL)	Yes
Running Watts	1200
Starting Watts	1500
Frequency (Hz)	60
Engine Displacement (cc)	80
Engine Type	OHV
Starting System	Recoil
Cylinder	Single
Fuel Type	Gasoline
Low Oil Shutdown	Yes
Cast Iron Sleeve	Yes
Brushed or Brushless Alternator	Brushless
Automatic Voltage Regulator (AVR)	No
Fuel Tank Volume (Gal)	1.7
Fuel Gauge	Yes
Runtime @50% load (hours)	10.0
USDA FS Certified Spark Arrester	Yes



Handle	No
Wheel	No
Battery	No
Accessories	Oil Bottle-Funnel-Tool Kit
Warranty Residential / Commercial	3 Yrs Ltd / 90 Days
Carton LxWxH (inch)	20.3 x 15.8 x 17.6
Unit Weight (lbs)	54
Shipping Weight (lbs)	61



Learn more about generators we have.