

PO1001

1050 Watts Generator

FIRMAN®

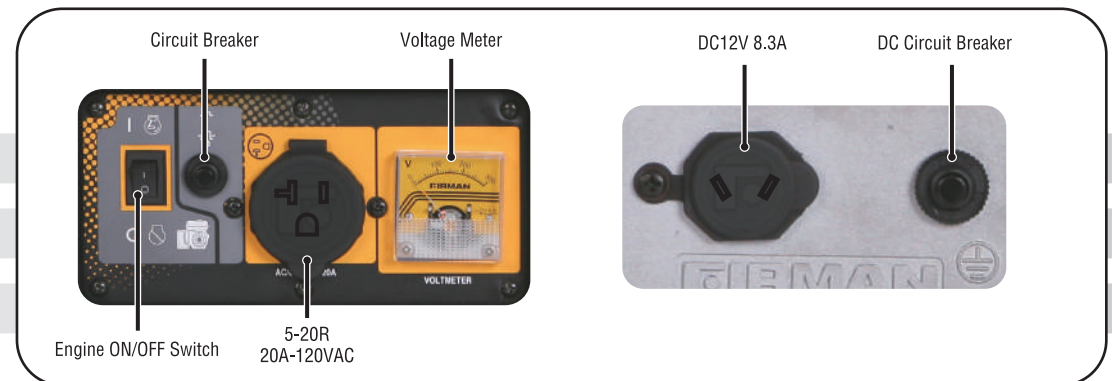
Performance series

Running / Starting Watts: 1050/1300



Features & Benefits

- The FIRMAN OHV engine (Max-Pro Series) for longer life/higher performance/lower maintenance.
- Cast iron sleeved engine for long durability with automatic low oil shutdown protection.
- Largest tank in industry with extended run-time (less re-fueling) with built-in tank gauge for convenience.
- Quiet muffler (Whisper Series) with USDA FS certified spark arrester.
- Conveniently located multi-featured control panel with FIRMAN custom designed outlet cover protecting outlets from dirt, dust and debris.
- Bonus accessories including engine oil, oil funnel, tool kit and battery charge cable.
- 3 year warranty.



P01001

1050 Watts Generator

FIRMAN®

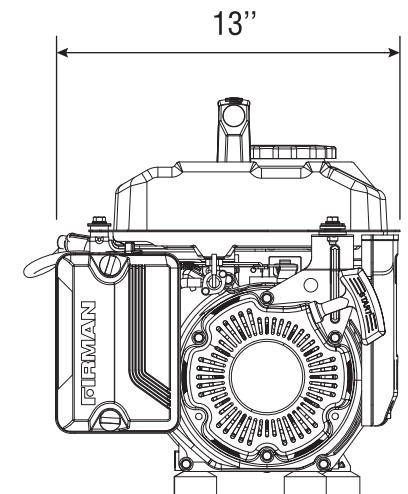
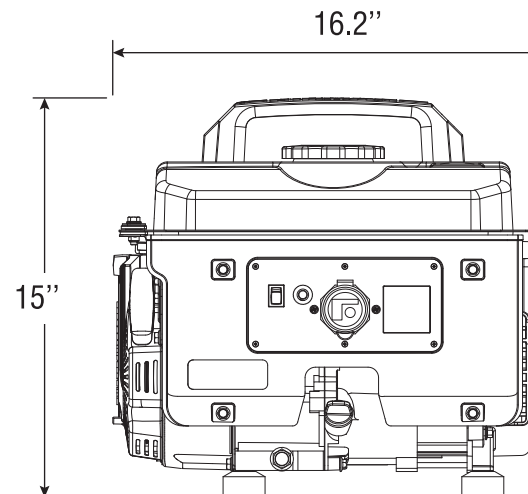
Performance series

Specification

Model /Rev Level	P01001 / 00
UPC	840876110041
50 States	Yes
California (CARB)	Yes
Canada (CETL)	Yes
Running Watts	1050
Starting Watts	1300
Frequency (Hz)	60
Engine Displacement (cc)	80
Engine Type	OHV
Starting System	Recoil
Cylinder	Single
Fuel Type	Gasoline
Low Oil Shutdown	Yes
Cast Iron Sleeve	Yes
Brushed or Brushless Alternator	Brushless
Automatic Voltage Regulator (AVR)	No
Fuel Tank Volume (Gal)	1.3
Fuel Gauge	Yes
Runtime @50% load (hours)	9.0
USDA FS Certified Spark Arrester	Yes



Handle	No
Wheel	No
Battery	No
Accessories	Oil Bottle-Funnel-Tool Kit -Battery Charger Cable
Warranty Residential / Commercial (years)	3 / 1
Carton LxWxH (inch)	17.9 x 15.4 x 14.2
Unit Weight (lbs)	45.3
Shipping Weight (lbs)	51.7



Learn more about generators we have.