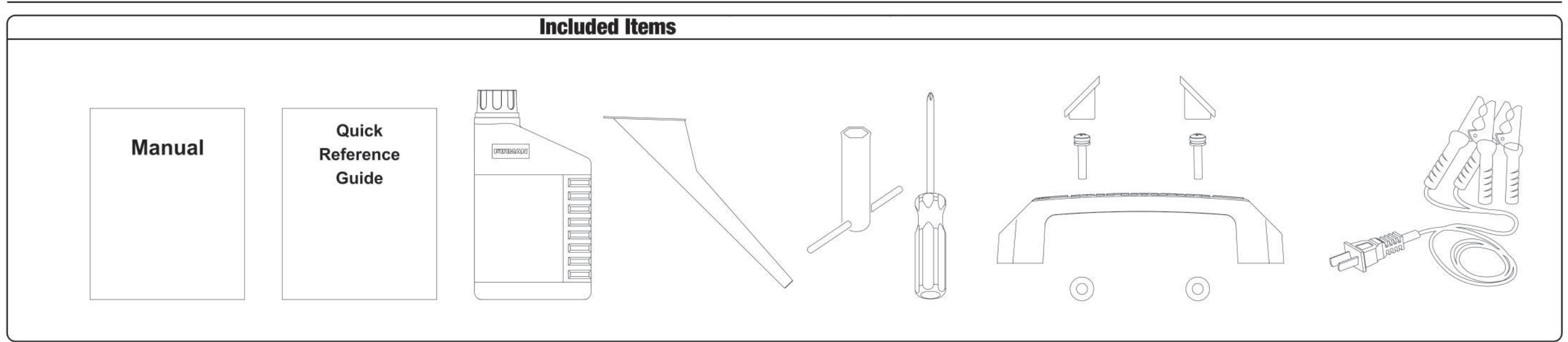


Quick Reference Guide

⚠ WARNING This Quick Reference Guide is not substitute for reading the operator's manual. **To reduce the risk of injury or death, user must read and understand the operator's manual before using this product.** All pages references to the operator's manual.

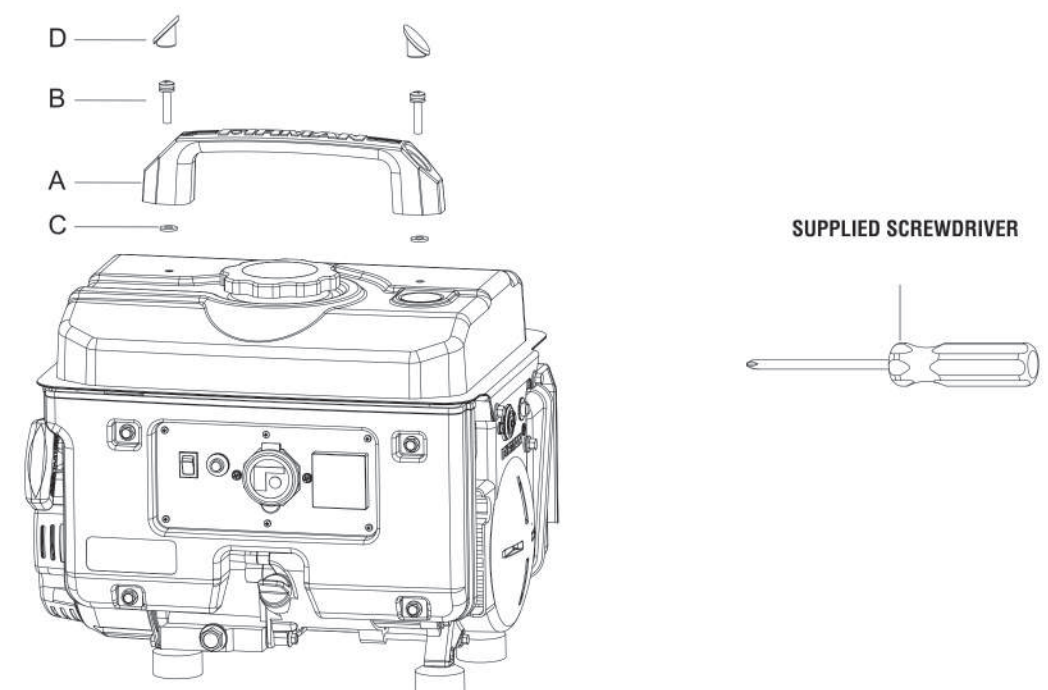
1 **Unpack Generator:** Remove generator, accessories, inserts and literature from carton.



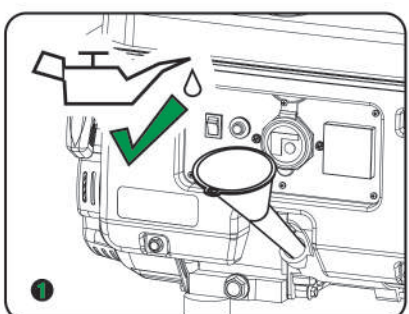
2 **Install the Handle**

1. Secure the handle to the fuel tank using the two handle bolts **B** (M6x30) and rubber washers **C**.
2. Use the supplied screwdriver to fasten securely. **DO NOT** over tighten the bolts.
3. Place the plug **D** into the handle.

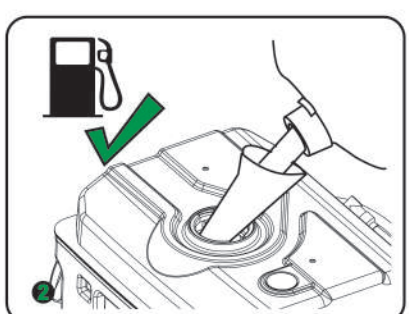
Your generator is now ready for use. Refer to your owner's manual for proper oil fill and startup instructions.



3 **Add Lubricant and Fuel**

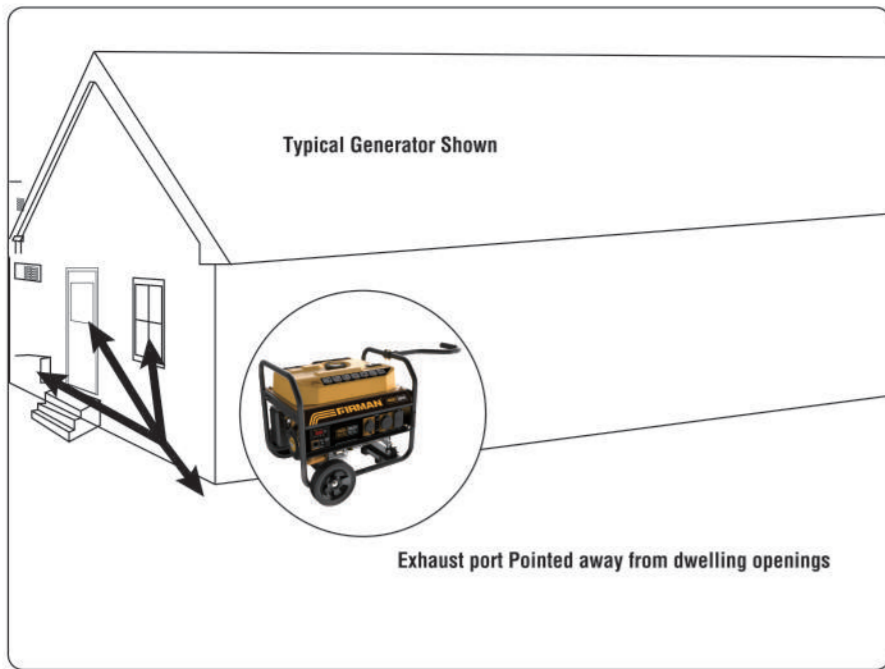


Use a funnel to pour provided engine oil into engine. Fill to the upper mark of the oil dipstick **H**.



Use clean/fresh regular **UNLEADED** gasoline with a minimum 87 octane.

4 Start Generator



Move generator outside to a flat, level surface, away from doors, windows and vents.

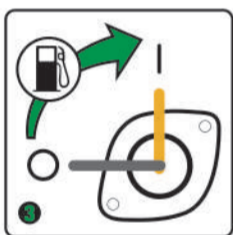
⚠ DANGER

Using a generator indoors CAN KILL YOU IN MINUTES. Generator exhaust contains carbon monoxide. This is a poison you cannot see or smell.

<p>NEVER use inside a home or garage, EVEN IF doors and windows are open.</p>	<p>Only use OUTSIDE and far away from windows, doors, and vents.</p>
---	---

Avoid other generator hazards. **READ MANUAL BEFORE USE.**

⚠ WARNING Do not overload generator or electrical cords. Consult operation manual.



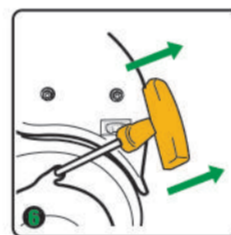
Turn fuel valve under tank to ON (I) position



Turn engine switch located on control panel to RUN (I) position



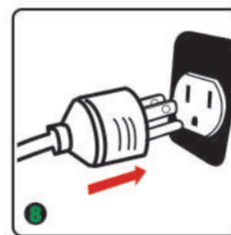
Move choke lever located on engine to START position



Pull cord starter to start engine

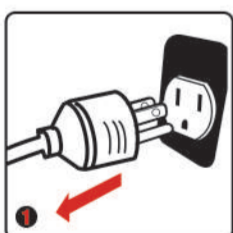


Move choke lever to RUN Position



Plug in items to be powered, using only grounded extension cords

5 Shutdown and Storage



Remove any load from the generator



Run the generator at no load for 2 minutes and then turn engine switch to OFF (O) position



Turn fuel valve to OFF (O) position

If generator is to be stored for longer than 30 days, refer to The operator's manual for further instruction.

Learn more about generators we have.