



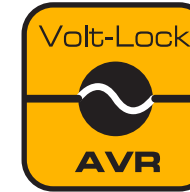
H05751

Hybrid Series



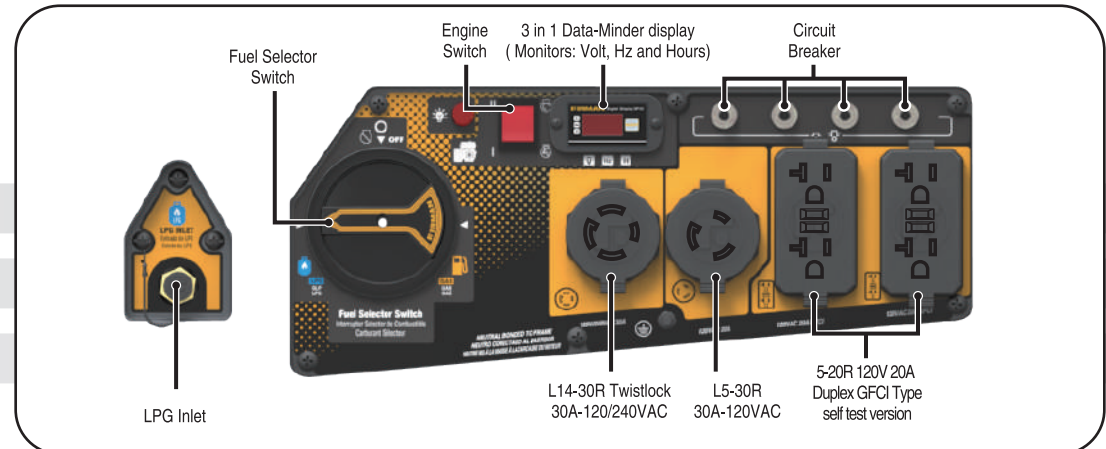
 **Running/Starting Watts: 5700/7125**

 **Running/Starting Watts: 5700/7125**



Features & Benefits

- Runs on gasoline or propane fuel, giving you flexibility while out on the road or during an emergency.
- Extended propane regulator/hose (5.5ft) for convenience when running off of a larger propane tank.
- The FIRMAN OHV engine (Max-Pro Series) for longer life/higher performance/lower maintenance.
- FIRMAN newly designed AVR (Automatic Voltage Regulator) VL (Volt-Lock) Series.
- Cast iron sleeved engine for long durability with automatic low oil shutdown protection.
- Largest tank in the industry with extended run-time (less re-fueling) with integrated fuel gauge for convenience.
- Quiet muffler (Whisper Series) with USDA FS certified spark arrester.
- Conveniently located multi-featured control panel with FIRMAN custom designed outlet cover protecting outlets from dirt, dust and debris.
- 3 in 1 Data-Minder monitors running hours, voltage and frequency.
- Wheel Kit with heavy duty and over size flat free wheels with high leverage single folding handle with grip for easy maneuver.
- Durable compact roll-cage frame design with 1.2" steel tubing.
- Bonus accessories including engine oil, oil funnel and tool kit.
- Included battery for your convenience.
- 3 year warranty: best in industry.





H05751

Hybrid Series

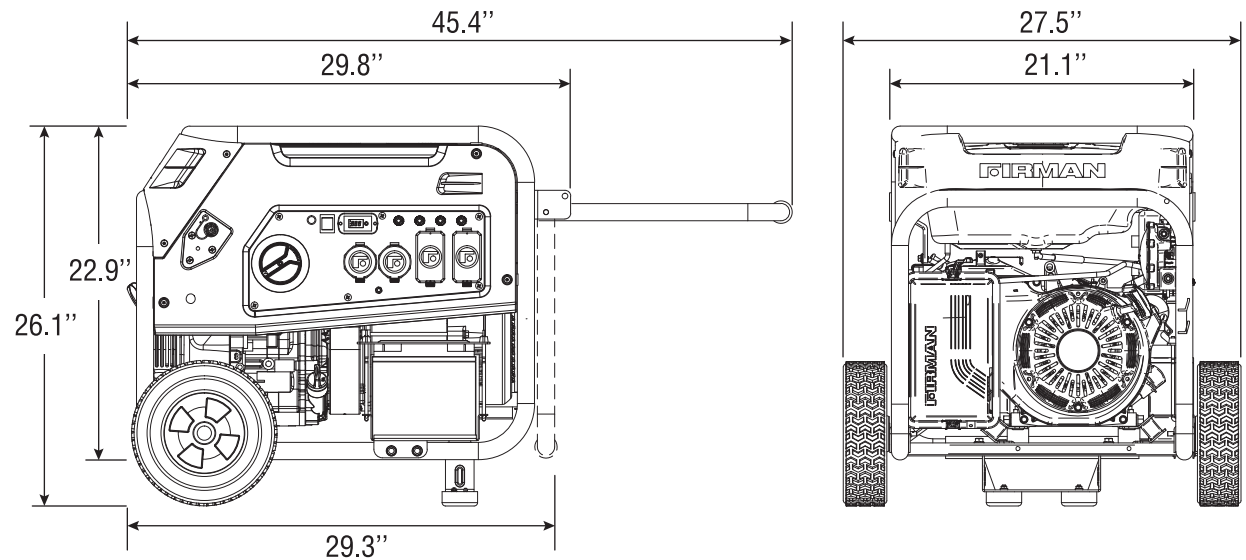


Specification

Model /Rev Level	H05751 / 00	
UPC	840876157510	
49 States	Yes	
California (CARB)	Yes	
Canada (CETL)	No	
	LPG Running Watts	5700
	LPG Starting Watts	7125
	GAS Running Watts	5700
	GAS Starting Watts	7125
Frequency (Hz)	60	
Engine Displacement (cc)	439	
Engine Type	OHV	
Starting System	Recoil/Electric	
Cylinder	Single	
Fuel Type	Gasoline/LPG	
Low Oil Shutdown	Yes	
Cast Iron Sleeve	Yes	
Brushed or Brushless Alternator	Brushed	
Automatic Voltage Regulator (AVR)	Yes	
Fuel Tank Volume (Gal)	8.0	
Fuel Gauge	Yes	
Runtime @50% load (hours)	13.0	
USDA FS Certified Spark Arrester	Yes	



Handle	Single Folding
Wheel	10.0" Flat Free
Battery	Yes
Accessories	Wheel kit-Oil Bottle Funnel-Tool Kit
Warranty Residential / Commercial	3 years / 90 days
Carton LxWxH (inch)	32.1 x 22.2 x 24.4
Unit Weight (lbs)	196
Shipping Weight (lbs)	212



Learn more about generators we have.