

⚠ WARNING This Quick Reference Guide is not substitute for reading the operator's manual. **To reduce the risk of injury or death, user must read and understand the operator's manual before using this product.** All pages references to the operator's manual.

1 **Unpack Generator:** Remove generator, accessories, inserts and literature from carton.

2 Removal of shipping support

Before you can run your new generator, follow these simple instructions:

The following items must be removed before running your new generator. In order to protect your generator these items have been added to ensure safe delivery of your new generator.

⚠ CAUTION

Failure to remove these items can result in damage to your generator, possible Personal injury and void your warranty.

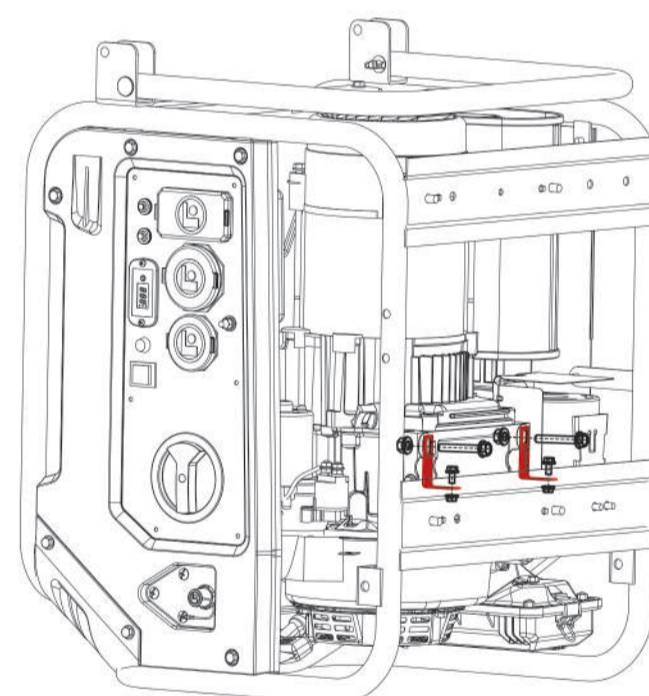
Refer to the following instructions and pictures to remove the attached engine support brackets (red) under the engine.

1. Before filling the engine oil, tip the generator back onto its recoil frame end as indicated in this picture. Place the generator on the flattened cardboard box or other protective surface.

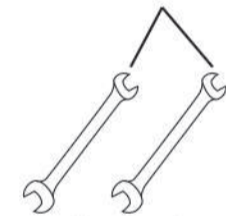
2. Remove the indicated bolts and nuts from the red engine support brackets. You may use the appropriate wrenches provided.

3. You may discard this brackets, as it is no longer required for normal operation of your generator.

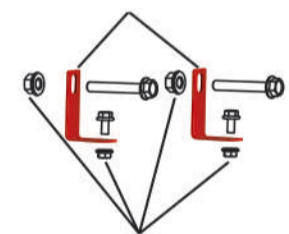
Your generator is now ready for use. Refer to your owner's manual for proper oil fill and startup instructions.



SUPPLIED WRENCHES



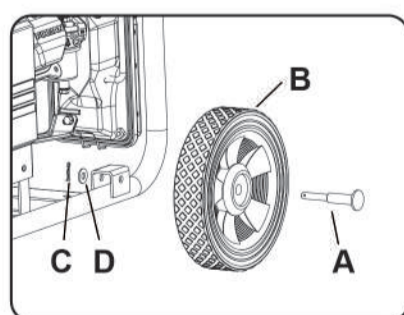
RED ENGINE SUPPORT BRACKET



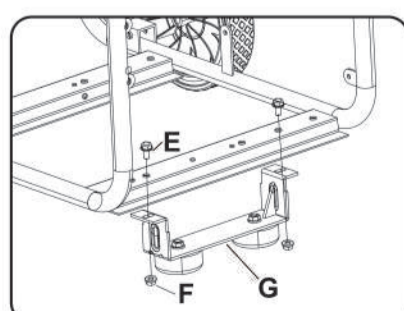
REMOVE THESE NUTS & BOLTS AS INDICATED.

3 Install the wheel kit

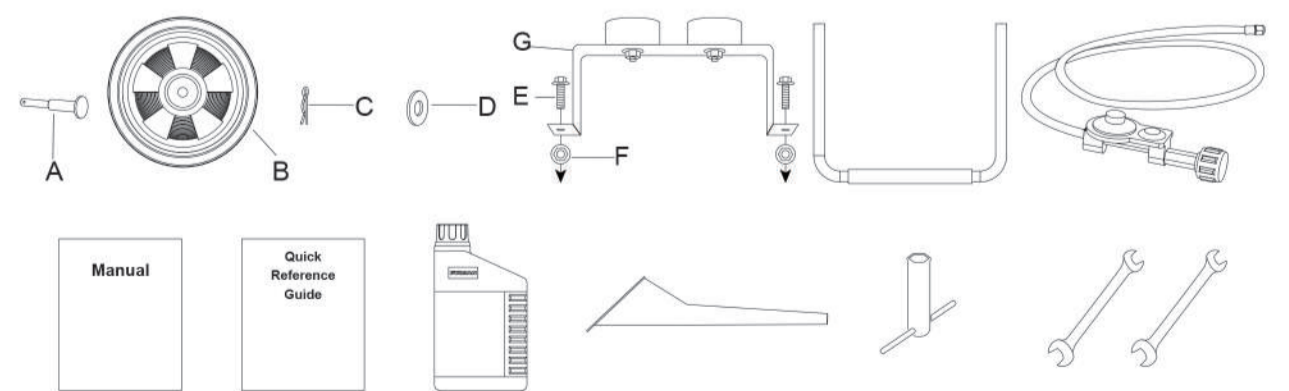
Slide the axle pin(A) through the wheel(B) and mount point on the frame and flat washer(D). Secure them with cotter pin(C).



Attach the support leg (G) to the generator frame with flange bolt (E) (M8X16) and flange lock nut(F) (M8).

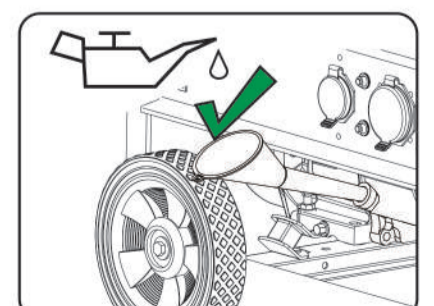


Included Items



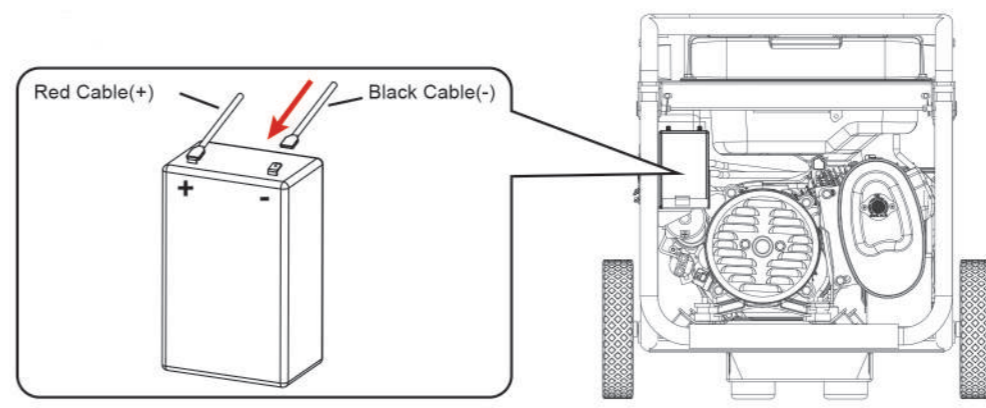
4 Add Lubricant

Use a funnel to pour provided engine oil into engine. Fill to the upper mark of the oil dipstick H.



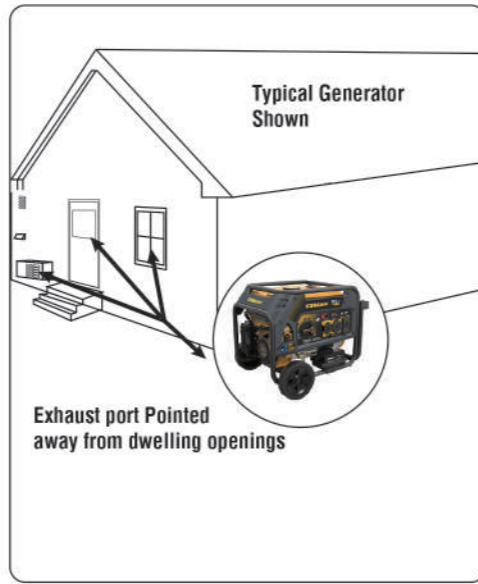
5 Battery Cable Connection

NOTE: The generator comes equipped with the positive red cable already attached. Connect the negative black cable to negative terminal on the battery.



6 Add Fuel and Start Generator

Move generator outside to a flat, level surface, away from doors, windows and vents.



WARNING Do not overload generator or electrical cords. Consult operation manual.

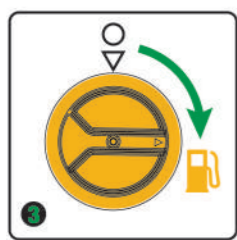
GAS



Use clean/fresh regular UNLEADED gasoline with a minimum 87 octane



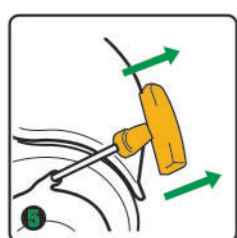
Make sure the LPG cylinder knob is fully closed



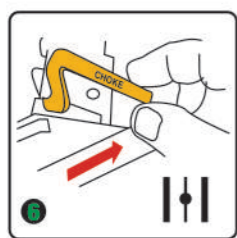
Turn the fuel selector switch to GAS position



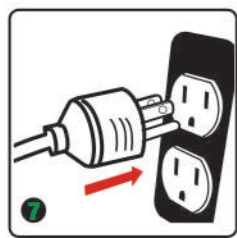
Move choke lever located on engine to START position



Pull cord starter to start engine

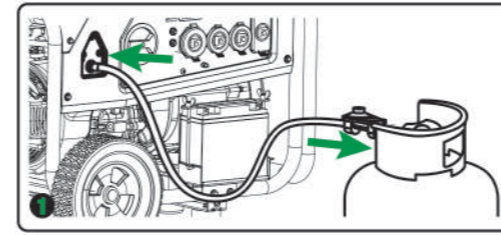


Move choke lever to RUN Position

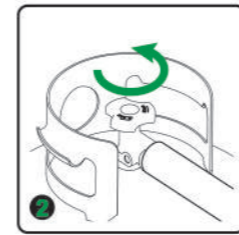


Plug in items to be powered, using only grounded extension cords

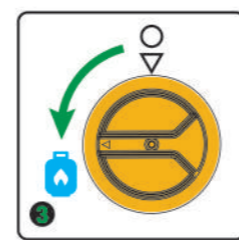
LPG



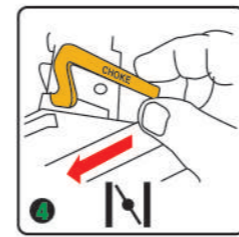
Connect the regulator to both LPG cylinder and generator.



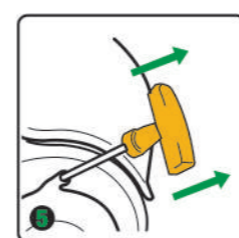
Fully open the LPG cylinder knob



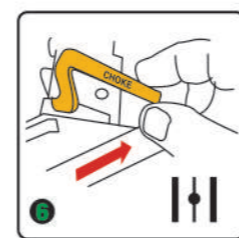
Turn the fuel selector switch to LPG position



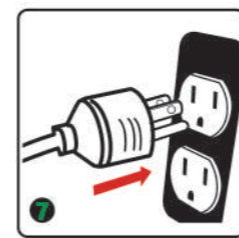
Move choke lever located on engine to START position



Pull cord starter to start engine



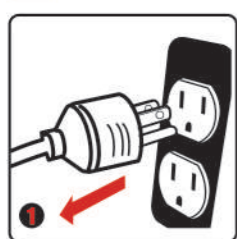
Move choke lever to RUN Position



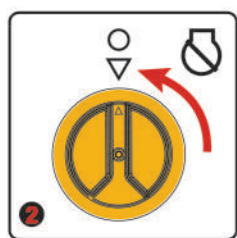
Plug in items to be powered, using only grounded extension cords

7 Shutdown and Storage

GAS

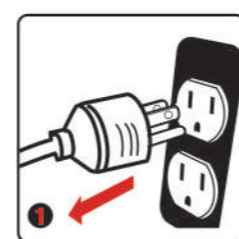


Remove any load from the generator

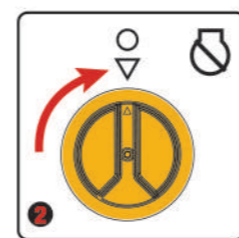


Turn the

LPG



Remove any load from the generator



Turn the fuel selector switch to OFF (O) position



Fully close the LPG cylinder knob

If generator is to be stored for longer than 30 days, refer to The operator's manual for further instruction.