

FILL-RITE®

FR700V SERIES FUEL TRANSFER PUMPS

Installation and Operation Manual



Table of Contents

Warranty Policy2

Safety Information.....3

Installation.....3

Anti-Siphon Device.....5

Electrical Wiring.....6

Wiring Procedure.....6

Operating Instructions.....7

Safety Testing Approvals.....7

Padlocking7

Fluid Compatibility7

Technical Information / Specifications.....7

Accessories8

Troubleshooting.....8

Replacement Parts Information.....10

FR700V / FR701V / FR710V / FR711V Parts List.....11

FR700VE Model information.....12

MODEL#	
SERIAL#	
PURCHASE DATE:	



About This Manual

From initial concept and design through its final production, your Fill-Rite pump is built to give you years of trouble free use. To ensure it provides that service, **it is critical that you read this entire manual prior to attempting to install or operate your new pump.** Become familiar with the terms and diagrams, and pay close attention to the highlighted areas with the following labels:



WARNING! Emphasizes an area in which personal injury or even death **may** result from failure to follow instructions properly. Mechanical damage may also occur.



CAUTION! Failure to observe a “Caution” may cause damage to the equipment.

IMPORTANT! These boxes contain information that illustrates a point that may save time, or be key to proper operation, or clarifies a step.

Safety Information



WARNING! Electrical wiring should be performed **ONLY** by a licensed electrician in compliance with local, state, and national electrical code NEC/ANSI/NFPA 70, NFPA30, and NFPA 30A, as appropriate to the intended use of the pump. Threaded rigid conduit, sealed fittings, and conductor seal should be used. The pump must be properly grounded. Improper installation or use of this pump can result in serious bodily injury, or death!

1. NEVER smoke near the pump, or use the pump near open flames when pumping a flammable liquid! Fire can result!
2. A “Fill-Rite” Filter should be used on the pump outlet to insure no foreign material is transferred to the fuel tank.
3. Threaded pipe joints and connections should be sealed with the appropriate sealant or sealant tape to minimize the possibility of leaks.
4. Storage tanks should be securely anchored to prevent shifting or tipping when full or empty.
5. To minimize static electricity build up, use only static wire conductive hose when pumping flammable fluids, and keep the fill nozzle in contact with the container being filled during the filling process.
6. The pump motor is equipped with thermal overload protection; if overheated, the motor will shut off to prevent damage to the windings. If this happens, **TURN THE PUMP OFF!** When the motor cools, it will restart without warning if the power is on.



WARNING! This product should not be used to transfer fluids into any type of aircraft.



WARNING! This product is not suited for use with fluids intended for human consumption or fluids containing water.

Installation

The Fill-Rite FR700V Series pump is designed to offer several different mounting configurations. It can be mounted on a skid tank using the tank adapter supplied with the pump (see attached diagrams), or mounted on a concrete island using an optional pedestal adapter (available through your Fill-Rite distributor). Regardless of mounting style, all tanks must be properly vented.

The FR700V Series pump has a built in check valve to reduce unsafe excess pressure from thermal expansion of the fluid. It also features an integral bypass valve to help minimize wear when the pump is operating with the nozzle closed.

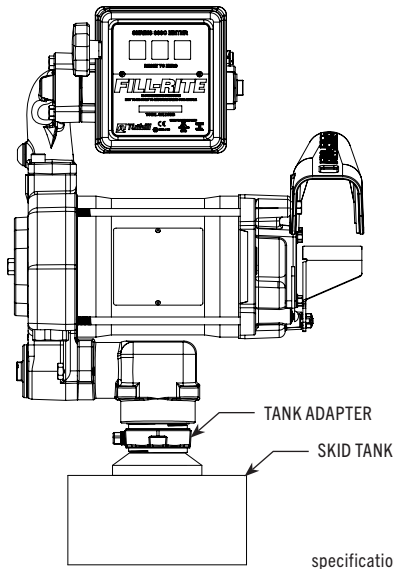


CAUTION! Do not use additional check valves or foot valves unless they have a proper pressure relief valve built into them. Note that additional check valves will reduce rate of flow.



CAUTION! Threaded pipe joints and connections should be sealed with the appropriate sealant or sealant tape to minimize the possibility of leaks.

SKID TANK INSTALLATION



Typical Skid Tank Installation

Materials

- 1/4" pipe cut to a length that will extend to within 3" of the bottom of the tank when screwed into the tank adapter with the tank adapter screwed into the tank flange (see SKID TANK INSTALLATION diagram).
- Threaded pipe joint sealant appropriate for application.
- Anti-seize thread compound.

Installation Procedure

1. Thread the 1/4" pipe into the tank adapter. Seal threads liquid tight with appropriate thread sealant.
2. Apply an anti-seize thread compound to the external threads on the bottom of the bung adapter. Screw the tank adapter into the tank flange.
3. Mount the pump on the adapter; seal threads liquid tight with appropriate thread sealant.
4. Fill-Rite recommends installation of an Anti-Siphon Device (see page 5 for detailed information).

Typical "Island" Installation

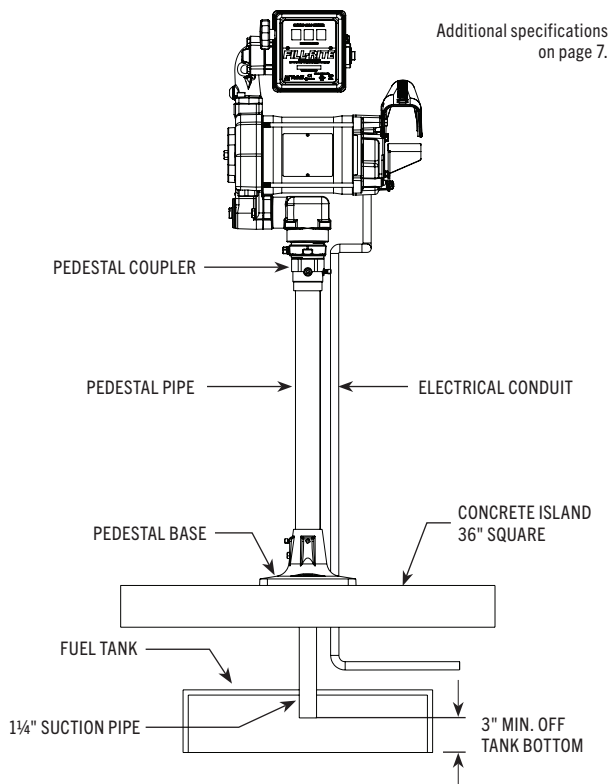
Materials

- 1/4" threaded suction pipe, cut to extend 32-1/2" above the island.
- FRPA125 Pedestal Kit (includes Pedestal Pipe, Base, & Coupler).
- Threaded pipe joint sealant appropriate for application.

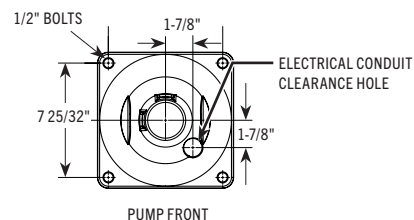
Installation Procedure

1. Remove the coupler from the pedestal pipe by loosening the set screws.
2. Slip the pedestal pipe / pump base assembly over the 1/4" suction pipe.
3. Loosen the screws in the pump base to allow the pedestal pipe to slide down exposing the end of the suction pipe.
4. Screw the coupler onto the suction pipe; seal threads liquid tight with appropriate thread sealant.
5. Slide the pedestal pipe into the coupler and tighten the set screws.
6. Tighten the screws in the pump base.
7. Mount the pump on the coupler seal threads liquid tight with appropriate thread sealant.

TYPICAL PEDESTAL / ISLAND INSTALLATION



LAYOUT OF BASE ANCHOR BOLTS





CAUTION! Threaded pipe joints and connections should be sealed with the appropriate sealant or sealant tape to minimize the possibility of leaks.

Anti-Siphon Device

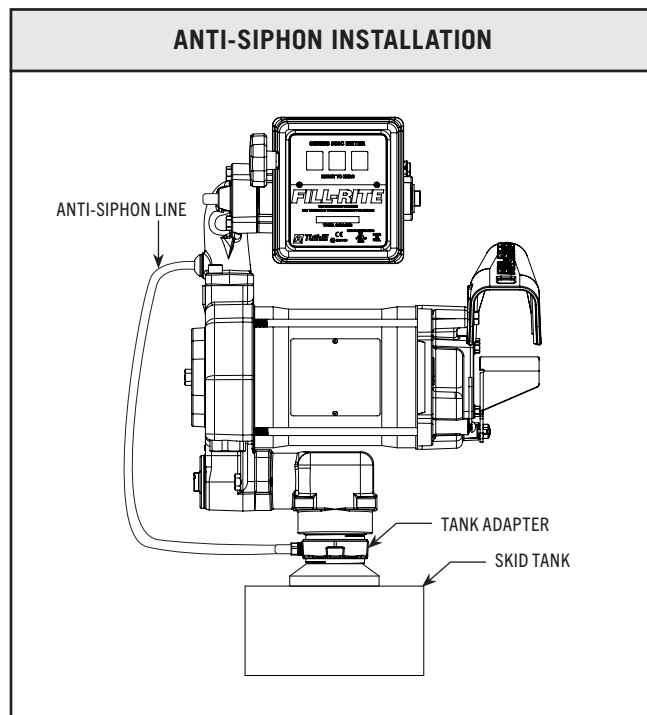
Your FR700V Series pump comes from the factory ready to install an anti-siphon tube back to the tank. An anti-siphon device (a.k.a. vacuum breaker) is important because it will break a liquid siphon if there is an open nozzle or a leaking hose below the fluid level in the tank when the pump is turned off. Fill-Rite recommends anti-siphon kit # KIT700AS be installed from the pump outlet back to the vapor space in the tank.

This illustration shows where to install the tube so that it terminates in the vapor space at the top of the tank. The tube must terminate in the vapor space; if it terminates below the fluid level in the tank, it will not prevent siphoning. It is very important there are no liquid traps in the tubing; it must have a continuous slope from the pump down to the tank, and can be connected into any opening in the top of the tank if the tank adapter is not used. Use reducer bushings as required for proper fit and seal.

The 1/4 NPT opening in the side of the tank adapter terminates in the vapor space of the tank. Make liquid-tight connections using the appropriate sealant from the adapter to the anti-siphon outlet using a minimum of 1/4 metal tubing that is compatible with whatever liquid is being pumped. If the anti-siphon tank adapter is being used and the 1/4 NPT opening is not used for the tubing, leave the factory installed plug in place.

Fill-Rite offers Anti-Siphon kit # KIT700AS (available through your Fill-Rite distributor). This kit contains the necessary fittings and tubing to complete the installation as pictured in this section and supplying your own anti-siphon line. **NOTE:** This kit **ONLY** works for adapter kit tank top installations.

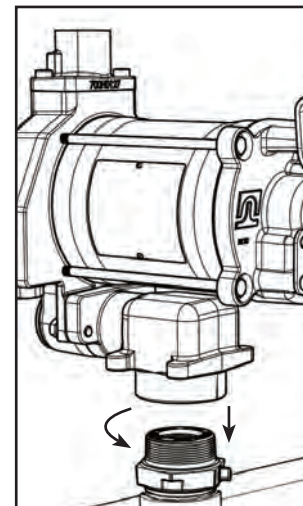
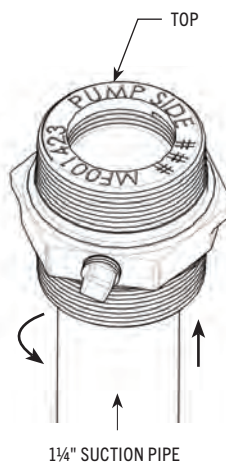
If not using the KIT700AS, you will need the KIT700AVB. This will allow you to connect a line either back to the tank, or to the bung adapter.



Bung Adapter / Suction Pipe Assembly and Installation

FR700V Series pumps feature a 2" Bung Adapter with integral connection for an anti-siphon device. When installing the suction pipe into the bung adapter, the suction pipe must be inserted into the bung adapter correctly for proper operation. The suction pipe threads into the tank adapter, and must be cut to a length that positions it at least 3" from the bottom of the tank.

1. Measure and cut suction pipe to fit as described above.
2. Examine the bung adapter to determine top and bottom for proper insertion of the suction pipe. The bung adapter is labeled to help: the end marked "PUMP SIDE" is the top of the bung adapter. Note that the internal threads for the suction pipe are at the TOP of the opening, but the suction pipe is inserted through the bottom opening.
3. Wrap the threads of the suction pipe with the appropriate sealant for the fluid being pumped. Insert the suction pipe (with the threaded side up) into the bottom of the bung adapter until the threads engage.
4. Tighten the suction tube into the bung adapter to create an air / fluid tight seal.
5. Apply an anti-seize thread compound to the external threads on the bottom of the bung adapter. Install the assembled bung adapter and suction pipe into the bung opening on the tank. Tighten to a fluid / air tight seal.
6. Install pump onto bung adapter using appropriate fluid sealant, and tighten to a fluid / air tight seal.



Electrical Wiring



WARNING! Electrical wiring should be performed **ONLY** by a licensed electrician in compliance with local, state, and national electrical code NEC/ANSI/NFPA 70, NFPA30, and NFPA 30A, as appropriate to the intended use of the pump. Threaded rigid conduit, sealed fittings, and conductor seal should be used. The pump must be properly grounded. Improper installation or use of this pump can result in serious bodily injury, or death!

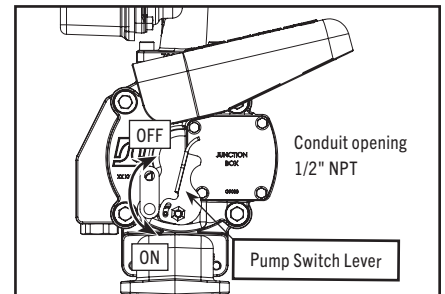
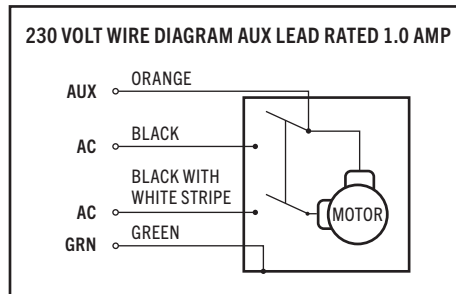
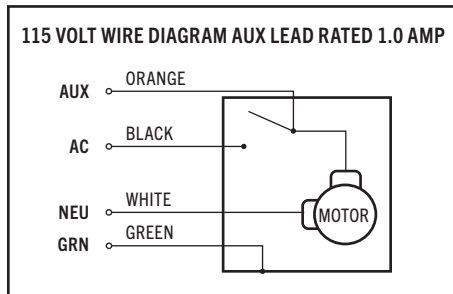


CAUTION! All pumps should be operated at the Rated Nameplate Voltage. Power should be supplied to the pump from a dedicated 20 amp circuit breaker. No other equipment should be powered by this circuit. Wiring must be of sufficient size to carry the correct current for the pump. Voltage drop will vary with distance to pump and size of wire; refer to the National Electrical Code (NEC), or local codes, for Voltage Drop Compensation to be sure you are using the correct size wire for your application.

Wiring Procedure



WARNING! The “AUX.” wire IS A LIVE WIRE when the switch is on! The “AUX” lead wire is insulated and enclosed when shipped. **DO NOT** connect this wire without first verifying the “ON” line voltage of the wire for compatibility with the equipment to be installed. Maximum amperage on this wire is 1 amp. The “AUX” wire must be insulated and enclosed in the junction box if not used.



1. Remove the junction box cover and straighten the wires to make sure the stripped wire ends are accessible outside the junction box.
2. Connect the pump wires to the power supply lines according to the diagram. Be certain to properly insulate the connections with the appropriate wire nuts or other connectors. Note that the ground wire **MUST** be connected.
3. Tuck the wires back into the junction box, verify proper placement of gasket, align cover with junction box holes and reinstall screws. Torque each screw to 90 ± 9 in.-lbs.

IMPORTANT! Be certain the gasket for the cover is in place, and the screws draw the cover down tight over the junction box. There must be no gap between the junction box and its cover.

AWG	MAX CABLE LENGTH (FEET)													
	Solid Wire							Stranded Wire						
	16	14	12	10	8	6	4	16	14	12	10	8	6	4
115V AC (60 Hz motor)	39	62	99	158	250	--	--	38	61	96	154	245	389	620
230V AC (50 Hz motor)	186	296	471	751	--	--	--	182	290	459	733	--	--	--
230V AC (60 Hz motor)	170	271	432	689	--	--	--	167	265	421	672	--	--	--

Operating Instructions

1. Reset Meter to "0" (if applicable).
2. Remove dispensing nozzle from nozzle boot.
3. Move the switch lever to the "ON" position to power the pump.
4. Insert the dispensing nozzle into the container to be filled.
5. Operate the nozzle to dispense fluid; release nozzle when the desired amount of fluid has been dispensed.
6. Move switch lever to the "OFF" position to stop the pump.
7. Remove the dispensing nozzle from the container and store it in the nozzle boot.



CAUTION! Always keep the nozzle in contact with the container being filled during the filling process to minimize the possibility of static electricity build up.

Nozzle Boot Installation

The nozzle boot is installed using the lower two screw holes on the side of the boot. Use supplied attaching hardware to install the nozzle boot.

When the nozzle is mounted correctly it will be in a horizontal position.

Fluid Compatibility

Diesel Fuel, Gasoline, Kerosene, Mineral Spirits, Stoddard Solvents, and Heptane

IMPORTANT! If in doubt about compatibility of a specific fluid, contact supplier of fluid to check for any adverse reactions to the following wetted materials: cast iron; steel; zinc plated steel; 300 series stainless steel; carbon; fluorocarbon; buna; 400 series stainless steel; aluminum; and phenolic.

Technical Information / Specifications

Design Features:

- Inlet: Bung : 2" male NPT; Suction pipe- 1¼" female NPT for FR705VE / 705VEL / 715VE Bung: 2" male BSPT; Suction pipe- 1" female BSPP.
- Outlet: 3/4" NPT (model FR700V / 701V) / 1" NPT (model FR710V / 711V) for FR705VE / 705VEL / 715VE Outlet.
- Cast iron pump housing: iron (composite) rotor, and carbon (composite) vanes.
- Model FR700V / 701V furnished with UL listed ¾" x 12' hose and manual nozzle.
- Model FR711V furnished with one UL listed 1" x 18' hose and automatic nozzle.
- Security: Pump equipped for padlocking.
- Thermal overload protection.
- Heavy duty switch.
- 30 minute duty cycle.
- Explosion proof motor UL listed with sealed bearings that require no maintenance.
- Integral check valve with pressure relief on outlet side prevents pressure build up and improves vertical lift.
- Easy access strainer.
- Automatic bypass valve.
- 2" threaded base for tank openings.
- Constant Amp Draw (service factor of 1.0):
 - 115VAC 60Hz – 5.5 amps
 - 230VAC 60Hz – 2.4 amps

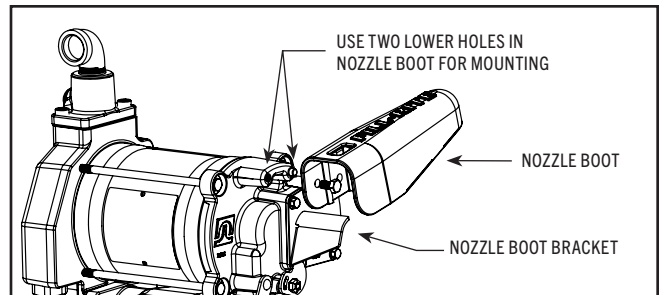
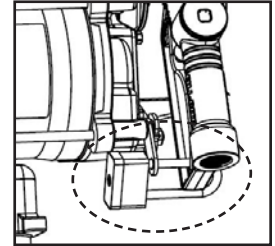
Safety Testing Approvals

The Fill-Rite line of pumps have been safety tested for compliance to the standards set forth by UL Laboratories.



Padlocking

Your Fill-Rite pump nozzle can be pad locked for added security. With the pump turned off, and the nozzle in the stored position, a pad lock can be inserted through the locking link and the nozzle handle opening. This configuration prevents the nozzle from being removed from the nozzle cover.



Overall Dimensions:

- Model FR700V / 710V: 14.15" wide X 11.825" high x 11.5" deep.
- Model FR701V: 14.15" wide X 16.6" high x 11.675" deep.
- Model FR711V: 15.25" wide x 16.1" high x 14.1" deep.

Shipping Weight:

- FR700V: 54 lbs. / FR701V: 61 lbs. / FR710V: 54 lbs. / FR711V: 61 lbs.

Accessories:

- See page 8 for a complete list of available accessories.

Performance:

- 25 psi (1.72 bar) maximum pressure @ pump outlet.
- Up to 20 gallons (75 liters) per minute.
- Fluid pump with maximum viscosity: #2 diesel fuel.
- Maximum pump operating temperature (ambient): 150 degrees F (66 degrees C).
- Minimum pump operating temperature (ambient): minus 13 degrees F (minus 25 degrees C) (note that for operation at lower temperatures, we recommend the "Arctic Nozzle" and "Arctic Hose" in the accessories section on page 8).
- Maximum suction lift: 10' (3 m) for gasoline; 18' (5.5 m) for #2 diesel fuel (the lift in feet is equal to the vertical distance from the surface of the fluid in the tank to the inlet of the pump, LESS friction losses through the vertical and horizontal runs of pipe, all elbows, and other fittings. System should be set up to require a **minimum** amount of suction lift).

Accessories

A wide variety of accessories are available to help you maximize the performance of your FR700V Series pump. Listed below are the applicable available accessories for your specific product. Please contact your authorized Fill-Rite distributor to purchase the accessories you need.

Part Number	Description	FR700V	FR701V	FR710V	FR711V
1200KTF7018	¾" Filter Kit (Particulate)	X	X		
F1810PM0	Replacement Particulate Filter Element	X	X		
1210KTF7019	¾" Filter Kit (Hydrosorb)	X	X		
F1810HM0	Replacement Hydrosorb Filter Element	X	X		
F4010PM0	1" Filter Kit (Particulate 10 micron)			X	X
F4030PM0	1" Filter Kit (Particulate 30 micron)			X	X
700ACCF7017	1" Filter Head			X	X
FRPA125	Island Pedestal Mount Kit	X	X	X	X
KIT700AS	Anti-Siphon Kit	X	X	X	X
FRH10012	1" Hose (12')			X	X
FRH10014	1" Hose (14')			X	X
700F1353	1" Hose (18')			X	X
FRH07512	¾" Hose (12')	X	X		
FRH07514	¾" Hose (14')	X	X		
FRHMN075S	¾" Nozzle, Manual, Unleaded Spout	X	X		
N075UAU10	¾" Nozzle, Automatic, Unleaded Spout	X	X		
N075DAU10	¾" Nozzle, Automatic, Diesel Spout	X	X		
FRHMN100S	1" Nozzle, Manual, Leaded Spout			X	X
N100DAU12	1" Auto Shut Off Nozzle (Hi-Flow Diesel)			X	X
N100DAU13	1" Auto Shut Off Nozzle (Ultra Hi-Flow Diesel – Red cover)			X	X
N100DAU13G	1" Auto Shut Off Nozzle (Ultra Hi-Flow Diesel – Green cover)			X	X
FRNA075DAU10	¾" Auto Shut Off Nozzle (Arctic Duty – Diesel)	X	X		
FRNA100DAU00	1" Auto Shut Off Nozzle (Arctic Duty – Diesel)			X	X

Troubleshooting

The following "Troubleshooting" guide is provided to offer basic diagnostic assistance in the event you encounter abnormal service from your Fill-Rite product.



WARNING! DO NOT open or attempt to repair the motor on your FR700V Series pump. Opening the motor case can compromise the integrity of the Explosion Proof construction and will void any existing warranty and certification (UL listing). **Please refer to the warranty policy located on page 2.**



WARNING! Be certain all power to the pump is turned off prior to performing any service or maintenance.

Troubleshooting (continued)

Symptom	Cause	Solution
Fluid leakage	1. Bad o-ring gasket	Check all o-ring gaskets
	2. Dirty shaft seal	Clean seal & seal cavity
	3. Bad shaft seal	Replace seal
	4. Incompatible fluid	Refer wetted parts list to fluid manufacturer
	5. Loose fasteners	Tighten fasteners
Pump won't prime	1. Suction line problem	Check for leaks in suction line
	2. Bypass valve open	Remove and inspect valve, must move freely & be free of debris
	3. Vanes sticking	Check vanes and slots for nicks, burrs and wear *
	4. Excessive rotor or vane wear	Inspect rotor & vanes for excessive wear or damage, replace if necessary *
	5. Outlet blocked	Check pump outlet, hose, nozzle & filter for blockage
	6. Vapor Lock	Reduce vertical and horizontal distance from pump to liquid; Remove the automatic nozzle
Low capacity	1. Excessive dirt in screen	Remove and clean screen
	2. Suction line problem	Check suction line for leaks or restrictions; it may be too small, too long or not airtight
	3. Bypass valve sticking	Remove and inspect valve; must move freely & be free of debris
	4. Vanes sticking	Check vanes and slots of wear
	5. Excessive rotor or vane wear	Inspect rotor & vanes for excessive wear or damage; replace if necessary *
	6. Hose or nozzle damage	Replace hose or nozzle
	7. Plugged filter	Replace filter
	8. Low fluid level	Fill tank
Pump runs slowly	1. Incorrect voltage	Check incoming line voltage while pump is running
	2. Vanes sticking	Inspect vanes and slots for nicks, burrs and wear
	3. Wiring problem	Check for loose connections
	4. Motor problem	Refer to warranty policy
Motor stalls	1. Bypass valve sticking	Remove and inspect valve, must move freely & be free of debris
	2. Low voltage	Check incoming line voltage while pump is running
	3. Excessive rotor or vane wear	Check rotor & vanes for excessive wear or damage *
	4. Debris in pump cavity	Clean debris from pump cavity
Motor overheats	1. Pumping high viscosity fluids	These fluids can only be pumped for short periods of time (less than 30 minutes duty cycle)
	2. Clogged screen	Remove and clean screen
	3. Restricted suction pipe	Remove and clean pipe
	4. Motor failure	Refer to warranty policy
	5. Pump rotor lock-up	Clean and check pump rotor and vanes
Motor inoperative	1. No Power	Check incoming power
	2. Switch failure	Refer to warranty policy
	3. Motor failure	Refer to warranty policy
	4. Thermal protector failure	Refer to warranty policy
	5. Incorrect/loose wiring	Check wiring
Pump hums but will not operate	1. Dirt in pump cavity	Clean out pump cavity
	2. Motor failure	Refer to warranty policy
	3. Broken key	Remove all debris & replace insert
	4. Low voltage	Check incoming line voltage while pump is on

Bold text indicates repairs that are not serviceable by the owner; please refer to our warranty policy on page 2 for further instructions.

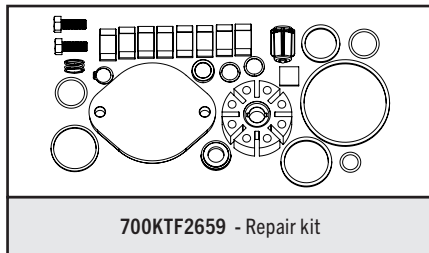
* Repairs marked with an asterisk (*) will require Repair Kit #700KTF2689. This kit includes a replacement rotor and new vanes, as well as a number of other important seals and components to complete the repair. Details of this kit are on page 10.

Replacement Parts Information

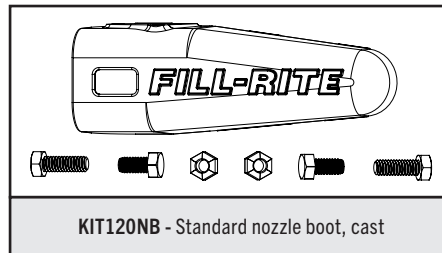
For repairs or routine maintenance, Fill-Rite offers the parts you need. The following parts diagram and list covers all applicable parts for your Fill-Rite product.



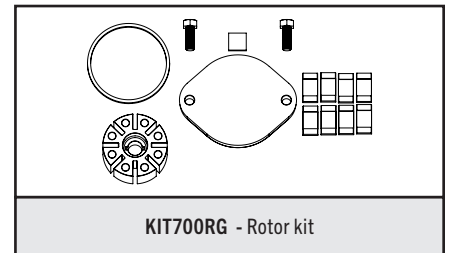
WARNING! DO NOT open or attempt to repair the motor on your FR700V Series pump. Opening the motor case can compromise the integrity of the Explosion Proof construction and will void any existing warranty and certification (UL listing).



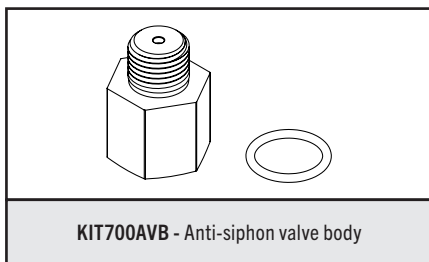
700KTF2659 - Repair kit



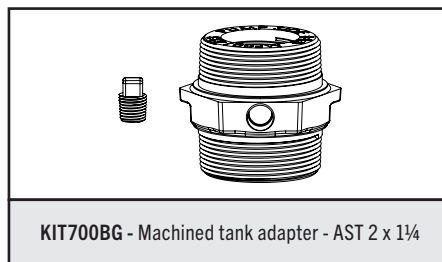
KIT120NB - Standard nozzle boot, cast



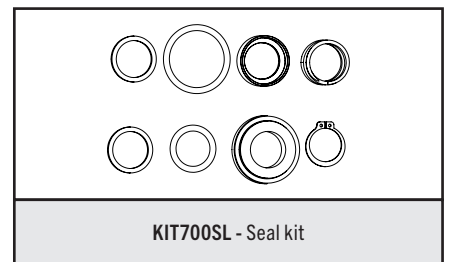
KIT700RG - Rotor kit



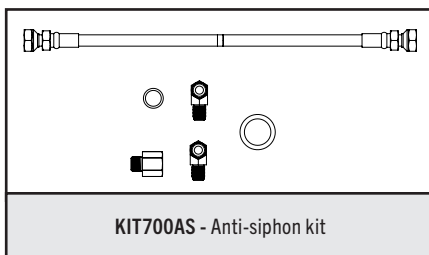
KIT700AVB - Anti-siphon valve body



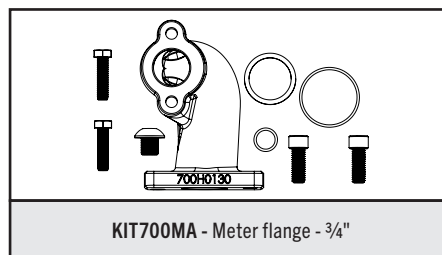
KIT700BG - Machined tank adapter - AST 2 x 1¼



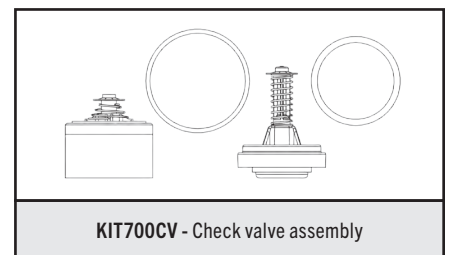
KIT700SL - Seal kit



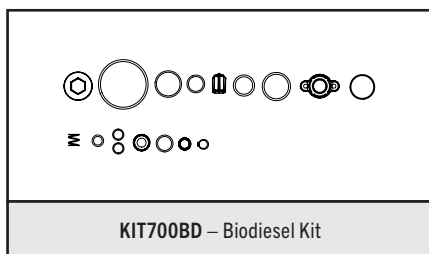
KIT700AS - Anti-siphon kit



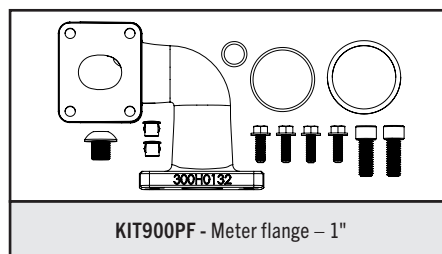
KIT700MA - Meter flange - ¾"



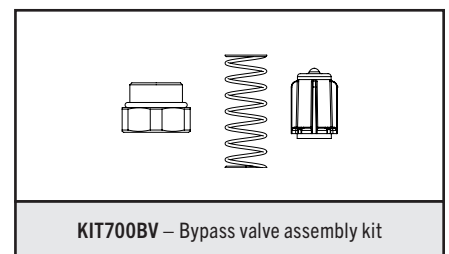
KIT700CV - Check valve assembly



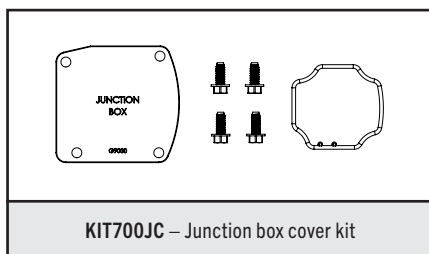
KIT700BD - Biodiesel Kit



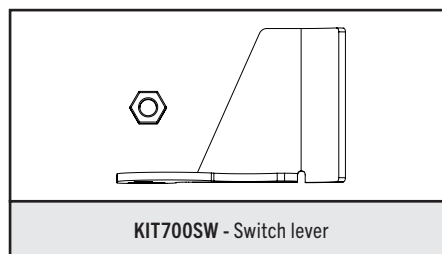
KIT900PF - Meter flange - 1"



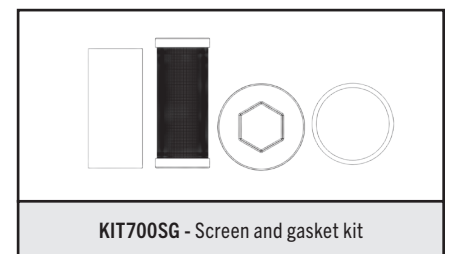
KIT700BV - Bypass valve assembly kit



KIT700JC - Junction box cover kit



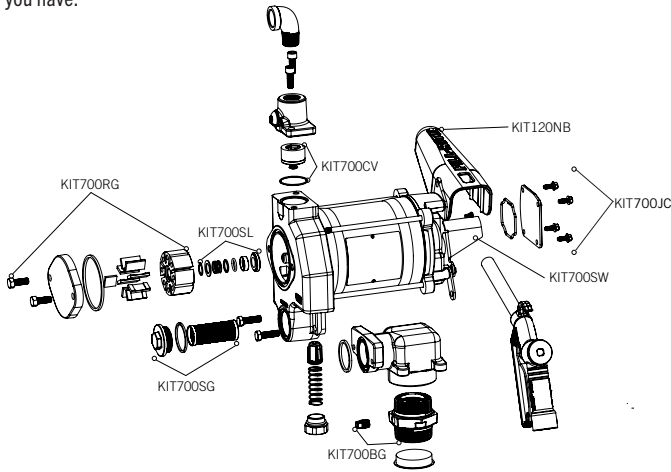
KIT700SW - Switch lever



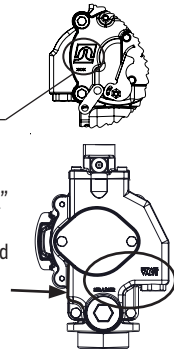
KIT700SG - Screen and gasket kit

FR700V / FR701V / FR710V / FR711V Parts List

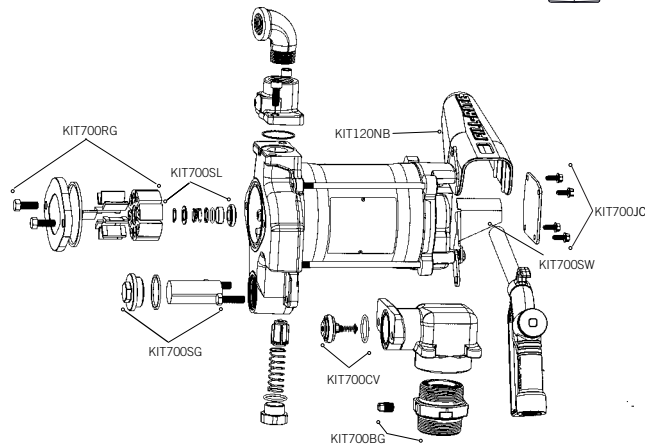
Please review the following visual indicators to determine which FR700V Series model you have:



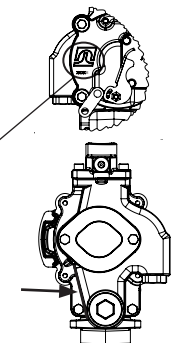
Examine the casting on the side of the pump containing the switch and nozzle boot. There will be a Tuthill logo etched into the casting. Underneath the casting, you will see a date code. If the date code is only 4 characters or numbers long, you have the older design.



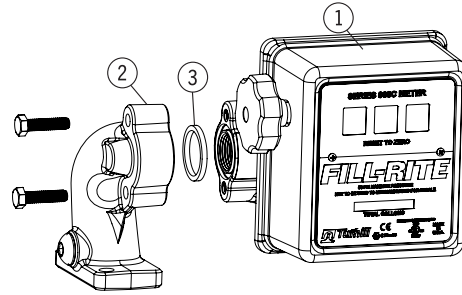
Additionally, on the other side of the pump, the cast iron pump housing is not angled and contain the words "Strainer" and "Bypass Valve" etched directly into the casting. If your pump matches these descriptions, the check valve is located on the outlet side of your pump. It will also utilize the longer of the two strainer assemblies available in KIT700SG.



Examine the casting on the side of the pump containing the switch and nozzle boot. There will be a Tuthill logo etched into the casting. Underneath the casting, you will see a date code. If the date code is 5 characters long and ends in the letter "B", you have the new design.



Additionally, on the other side of the pump, the cast iron pump housing has angled edges and does not contain any words etched into the casting. If your pump matches these descriptions, the check valve is located on the inlet side of your pump. It will utilize the shorter of the two strainer assemblies available in KIT700SG.



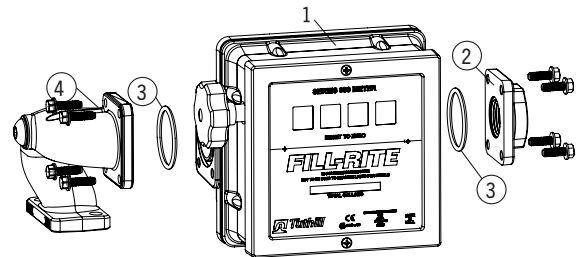
FR701V Parts List

The FR701V configuration adds a 807C Series mechanical meter, inlet meter flange, outlet meter flange, the associated attaching hardware, and gaskets. This package is available in gallon or liter register.

No.	Part / Kit #	Description	Qty.
1	807C	807C Meter (Gallon)	1
2	701H0934	Meter Flange	1
3		Gasket, Lathe Cut, Nitrile	1
1	807CL	807CL Meter (Liter)	1

FR710V Parts

No.	Part / Kit #	Description	Qty.
1	700H0128	1" Outlet Flange	1



FR711V Parts List

The FR711V configuration adds a 901C Series mechanical meter, inlet meter flange, outlet meter flange, the associated attaching hardware, and gaskets. This package is available in gallon or liter register.

No.	Gallon Kit Number	Description	Liter Kit Number	Qty.
1	901C	901C Meter (Gallons)	--	1
2	900 Meter (Gallon) Kit # 901CMK300V	Meter Flange	900 Meter (Liter) Kit # 901CLMK300V	1
3		Meter Gasket		2
4		1" Meter Fitting		1
1	--	901CL Meter (Liters)	901CL	1

ATTENTION!

The following information is for suffix "E" pumps and meters (designed for use outside the United States and Canada)! Refer to the information label applied to your pump to see if it is applicable.

Materials of Construction

Materials of construction of the external surface of the unit are: painted steel; painted cast iron; painted aluminum; zinc plated steel.

Materials of construction of the wetted parts are: cast iron; steel; zinc plated steel; 300 series stainless steel; carbon; fluorocarbon; buna; 400 series stainless steel; aluminum; phenolic; thermoplastic polyester; polybutylene terephthalate and copper.

Repair and Maintenance

Contact the place of purchase for warranty repair and maintenance

Specific Conditions of Use

1. Consult the manufacturer if dimensional information on the flameproof joints is necessary.
2. ISO Class 8.8, M6 hex-head screws (Yield Stress 640 MPa) shall be used to replace the FR700V Series terminal cover fasteners.
3. ISO Class 10.9, M8 hex-head screws (Yield Stress 940 MPa) shall be used to replace the FR700V Series motor tie-rod fasteners.
4. An electrically conductive hose and nozzle must be used with flammable liquids. To minimize static electricity buildup, always keep the nozzle in contact with the container being filled during the fueling process.

Installation

Pump must be installed in compliance with EN 60079-14 or IEC 60079-14, as applicable.

Certificates for Compliance of Safety have been obtained for the following agencies



II 2 G
Ex db h IIA T4 Gb
FM19ATEX0019X
IECEx FMG19.0013X
Ex db IIA T4 Gb



for products sold outside the US and Canada. Please refer to the tag on your particular product for its particular compliance data.

The following standards were used to show compliance in the European Union:

EN IEC 60079-0:2018, Ed 7 "Explosive atmospheres – Part 0: Equipment – General requirements"

EN 60079-1:2014, Ed 7 "Explosive atmospheres – Part 1: Equipment protection by flameproof enclosures "d" "

EN ISO 80079-36:2016, Ed 1 "Explosive atmospheres – Part 36: Non-electrical equipment for explosive atmospheres – Basic method and requirements"

EN ISO 80079-37:2016, Ed 1 "Explosive atmospheres – Part 37: Non-electrical equipment for explosive atmospheres – Non electrical type of protection constructional safety "c", control of ignition source "b", liquid immersion "k" "

Directive 2014/34/EU – Equipment and protective systems intended for use in potentially explosive atmospheres.

Directive 2011/65/EU – Restrictions of the use of certain hazardous substances in electrical and electronic equipment.

The following standards were used to show compliance for IECEx certification:

IEC 60079-0:2017, Ed 7

IEC 60079-1:2014, Ed 7



Find out more about fuel transfer & lubrication we have.