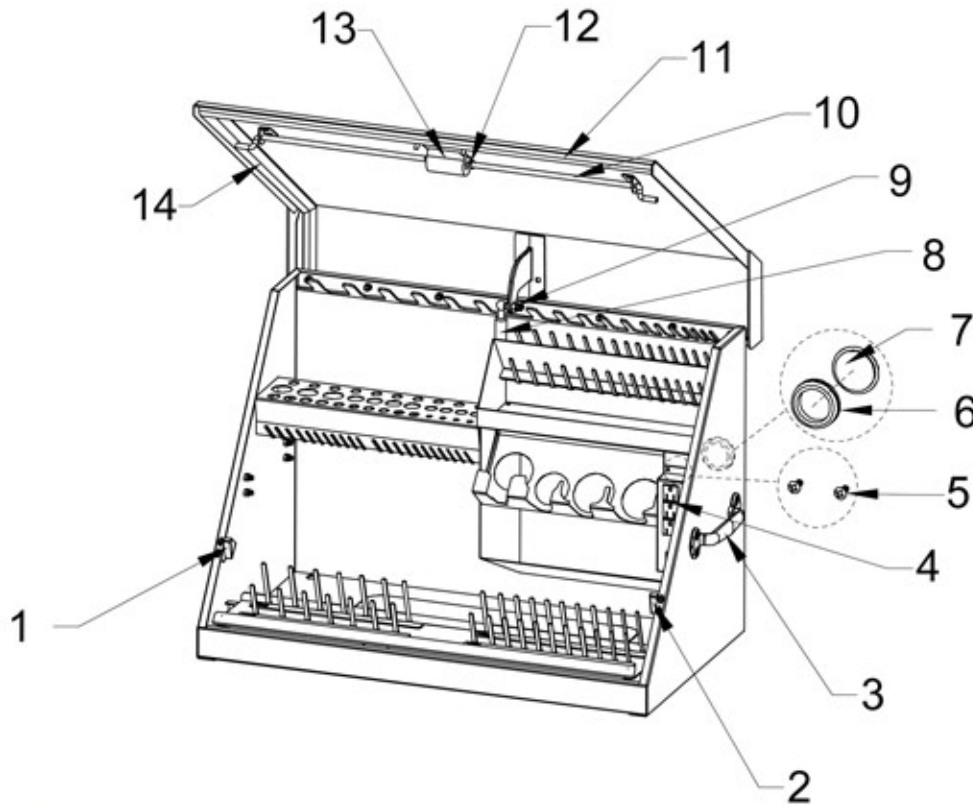





**PAINTED STEEL PORTABLE
CHEST MANUAL**

PWS3000TX PORTABLE WORKSTATION



PWS3000TX PORTABLE WORKSTATION

PARTS LIST

 "The keys are taped to the top storage area of the chest."

| Ref# | Description | Part# | Qty |
|------|-------------------|--------|-------|
| 1 | Striker kit(L) | 304014 | 1 pc |
| 2 | Striker kit(R) | 304015 | 1 pc |
| 3 | Side handle | 306035 | 2 pcs |
| 4 | Power strip | 333024 | 1 pc |
| 5 | M4×12 screw | 320108 | 4 pcs |
| 6 | Grommet | 314147 | 1 pc |
| 7 | Grommet cover | 314148 | 1 pc |
| 8 | Gas spring | 303041 | 1 pc |
| 9 | Lock nut | 323001 | 2 pcs |
| 10 | Rod | 304013 | 2 pcs |
| 11 | Weather stripping | 314013 | 1 pc |
| 12 | Cotter pin | 326004 | 2 pcs |
| 13 | Latch | 304067 | 1 pc |
| 14 | Weather stripping | 314037 | 2 pcs |

NOTE

1. Replacement keys may be ordered, the code which appears on the face of the lock required.
2. Give the information for service parts: part number, and quantity.