

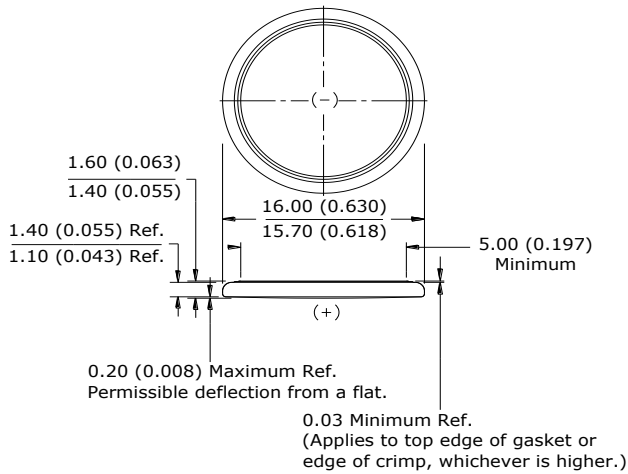
ENERGIZER CR1616

Lithium Coin



Industry Standard Dimensions

mm (inches)



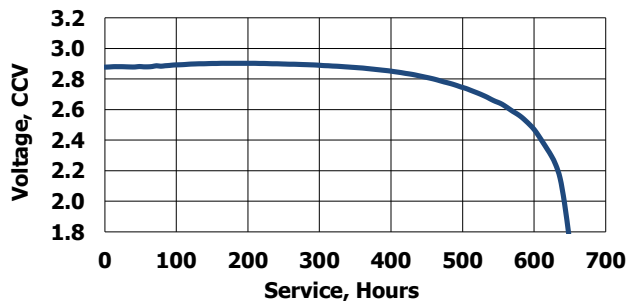
Simulated Application test

Typical Performance at 21°C (70°F)

Schedule:	Typical Drains: at 2.9V (mA)	Load (ohms)	Cutoff 2.0V (hours)
Continuous	0.1	30,000	648

Typical Discharge Characteristics

Load: 30K ohms - Continuous
Typical Drain @ 2.9V: 0.1 mA



Specifications

Classification:	"Lithium Coin"
Chemical System:	Lithium / Manganese Dioxide (Li/MnO ₂)
Designation:	IEC-CR1616
Nominal Voltage:	3.0 Volts
Typical Capacity:	60 mAh (to 2.0 volts) (Rated at 30K ohms at 21°C)
Typical Weight:	1.1 grams (0.04 oz.)
Typical Volume:	0.32 cubic centimeters (0.02 cubic inch)
Max Rev Charge:	1 microampere
Energy Density:	133 milliwatt hr/g, 498 milliwatt hr/cc
Typical Li Content:	0.014 grams (0.0005 oz.)
Operating Temp:	-30C to 70C
Self Discharge:	~1% / year

Safety:



(1) KEEP OUT OF REACH OF CHILDREN. Swallowing may lead to serious injury or death in as little as 2 hours due to chemical burns and potential perforation of the esophagus.

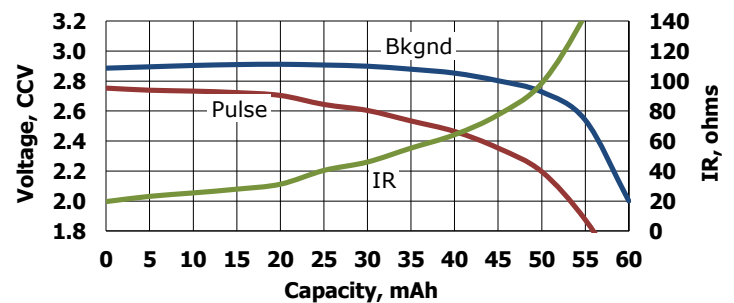
(2) Battery compartment design. To prevent children from removing batteries, battery compartments should be designed with one of the following methods: a) a tool such as screwdriver or coin is required to open battery compartment or b) the battery compartment door/cover requires the application of a minimum of two independent and simultaneous movements of the securing mechanism to open by hand. Screws should remain captive with the battery door or cover.

Internal Resistance Characteristics

Pulse Test at 21°C (70°F)

Bkgnd Drain: Continuous
30K ohms
0.1 mA @2.9V

Pulse Drain: 2 seconds X 12 times/day
400 ohms
6.6 mA @2.65V



Important Notice

This datasheet contains typical information specific to products manufactured at the time of its publication.
Contents herein do not constitute a warranty and are for reference only.