

D

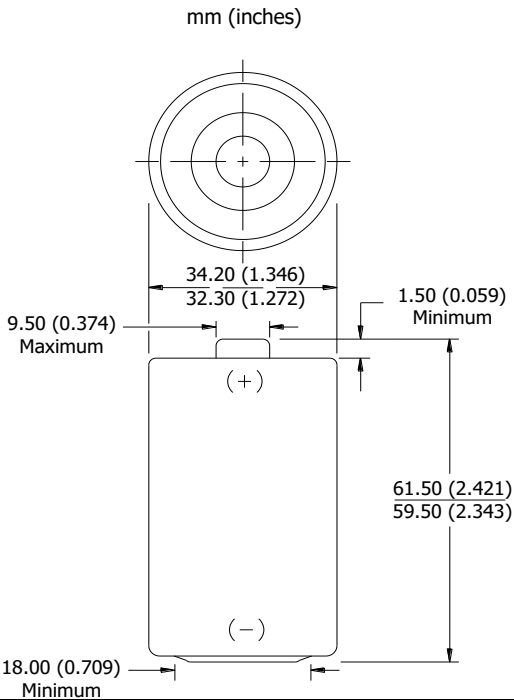
ENERGIZER E95



General Information

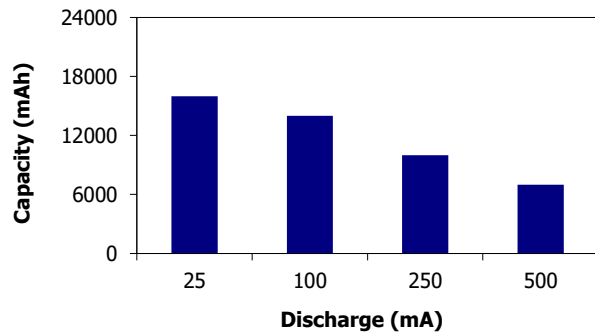
Classification: Alkaline
Chemical System: Zinc-Manganese Dioxide (Zn/MnO₂)
 No added mercury or cadmium
Designation: ANSI-13A, IEC-LR20
Nominal Voltage: 1.5 volts
Operating Temp: -18°C to 55°C (0°F to 130°F)
Typical Weight: 139 grams
Typical Volume: 56 cubic centimeters
Shelf Life: 10 years at 21°C
Terminal: Flat Contact

Industry Standard Dimensions

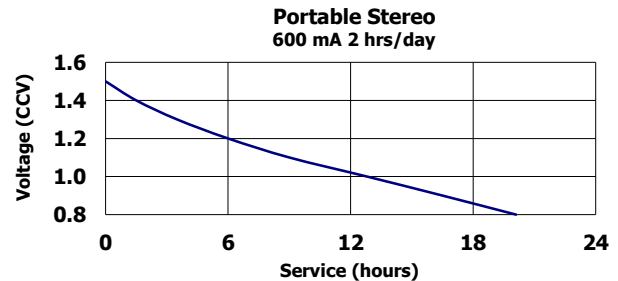
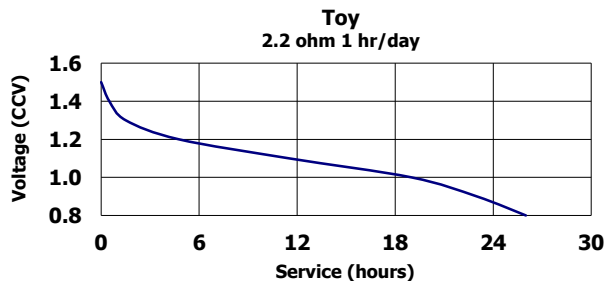
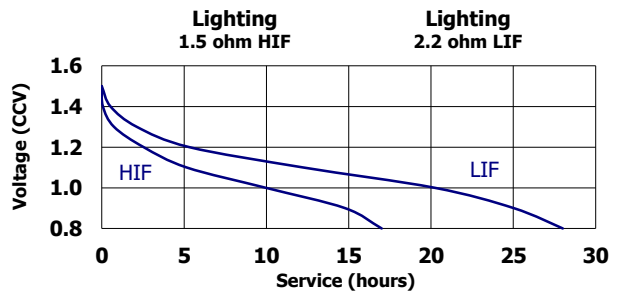
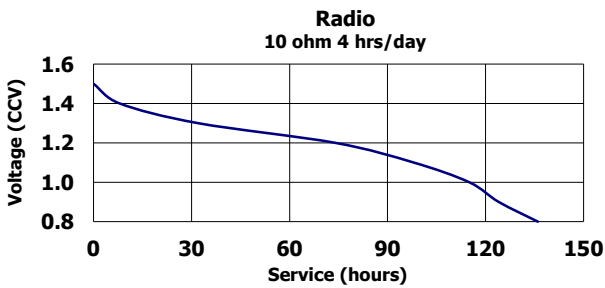


Milliamp-Hours Capacity

Continuous discharge to 0.8 volts at 21°C



Industry Standard Tests (21°C)



Important Notice

This datasheet contains typical information specific to products manufactured at the time of its publication.
Contents herein do not constitute a warranty and are for reference only.