

ENERGIZER E92

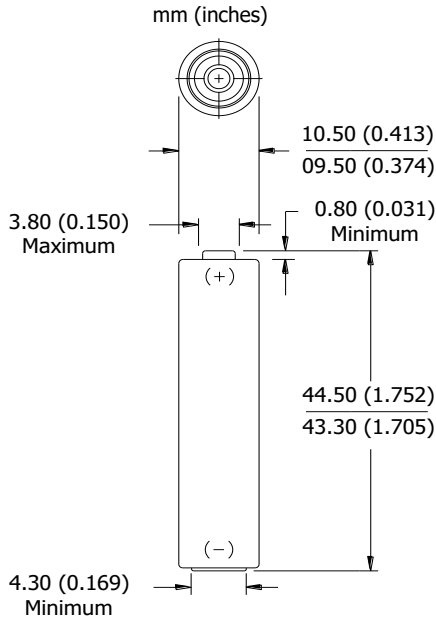


AAA

General Information

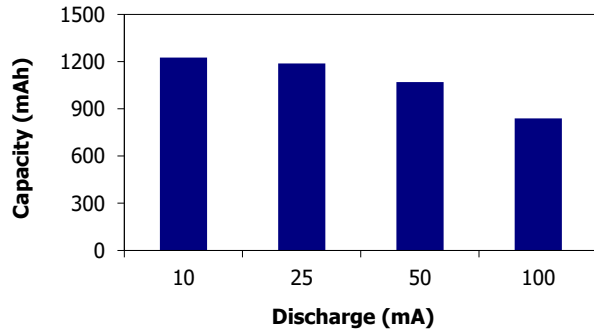
Classification: Alkaline
Chemical System: Zinc-Manganese Dioxide (Zn/MnO₂)
 No added mercury or cadmium
Designation: ANSI-24A, IEC-LR03
Nominal Voltage: 1.5 volts
Operating Temp: -18°C to 55°C (0°F to 130°F)
Typical Weight: 11.5 grams
Typical Volume: 3.8 cubic centimeters
Shelf Life: 10 years at 21°C
Terminal: Flat Contact

Industry Standard Dimensions

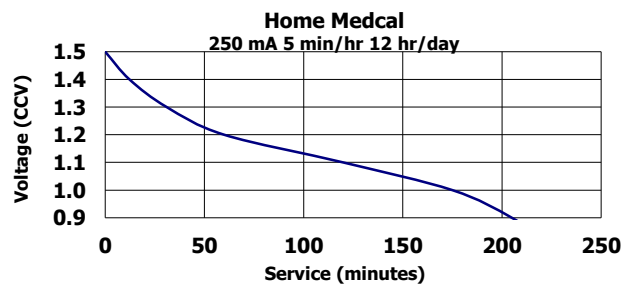
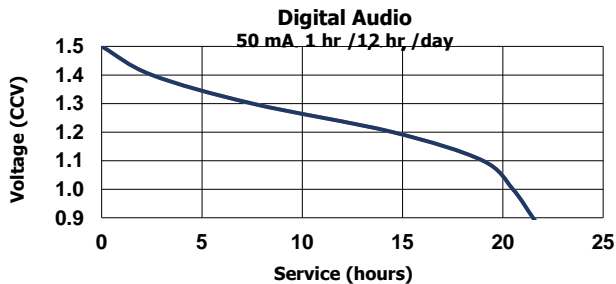
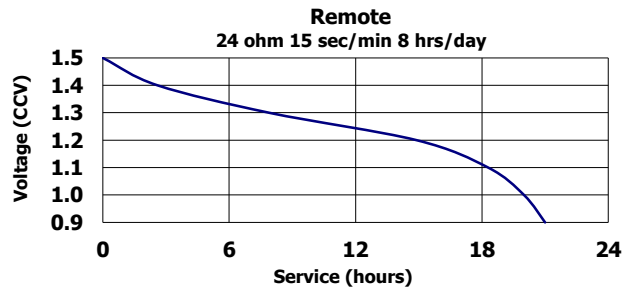
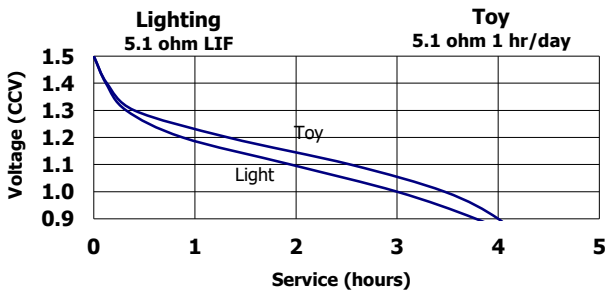


Milliamp-Hours Capacity

Continuous discharge to 0.8 volts at 21°C



Industry Standard Tests (21°C)



Important Notice

This data sheet contains typical information specific to products manufactured at the time of its publication.
Contents herein do not constitute a warranty and are for reference only.