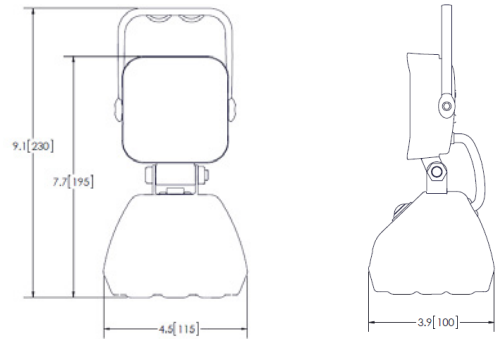




# WORKLAMPS

## EW2461 Magnetic Rechargeable LED Worklamp

Featuring a high intensity flood beam and three operating modes (100% intensity, 30% intensity & SOS flashing) this heavy duty battery powered worklamp combines mobility with high performance and a compact design. The long-life, lithium rechargeable battery allows the worklamp to be operated for 3-4 hours before recharging is required. Dual-color CA & CR models feature five operating modes (100% intensity white, 30% intensity white, 100% intensity amber or red, double flash amber or red and quad flash amber or red). Supplied with a cigarette socket charging lead and North American AC charger.



### Models

PART NO.	VDC	RAW LUMENS	EFFECTIVE LUMENS	TYPE	ILLUMINATION
EW2461-NA	12-24	650	600	Flood	Clear
EW2461CA-NA	12-24	650	600	Flood	Clear / Amber
EW2461CR-NA	12-24	650	600	Flood	Clear / Red
EW2461-CAMO	12-24	650	600	Flood	Clear

### Accessories

PART NO.	VDC	TYPE
EW4002-NA	110-240	North American AC Plug Charger
EW4003	12-24	Replacement DC Cigarette Socket Charger
EW4004	-	Replacement Handle

### Features and Benefits

- Five 3-watt LEDs / 10 3-watt LEDs for CA and CR models
- Magnetic base, rechargeable Lithium Battery
- CA and CR models feature double and quad flash modes
- Charge time less than 7 hours
- Run time on battery is 3 to 4 hours
- Aluminum heatsink housing
- Stainless steel mounting bracket
- Polycarbonate lens
- Warranty: 1 year

### Button Modes

#### -NA & -CAMO

- 100%
- 30%
- SOS

#### -CA & -CR

- 100%
- 30%
- Steady Color
- Quad flash (color)
- Double flash (color)