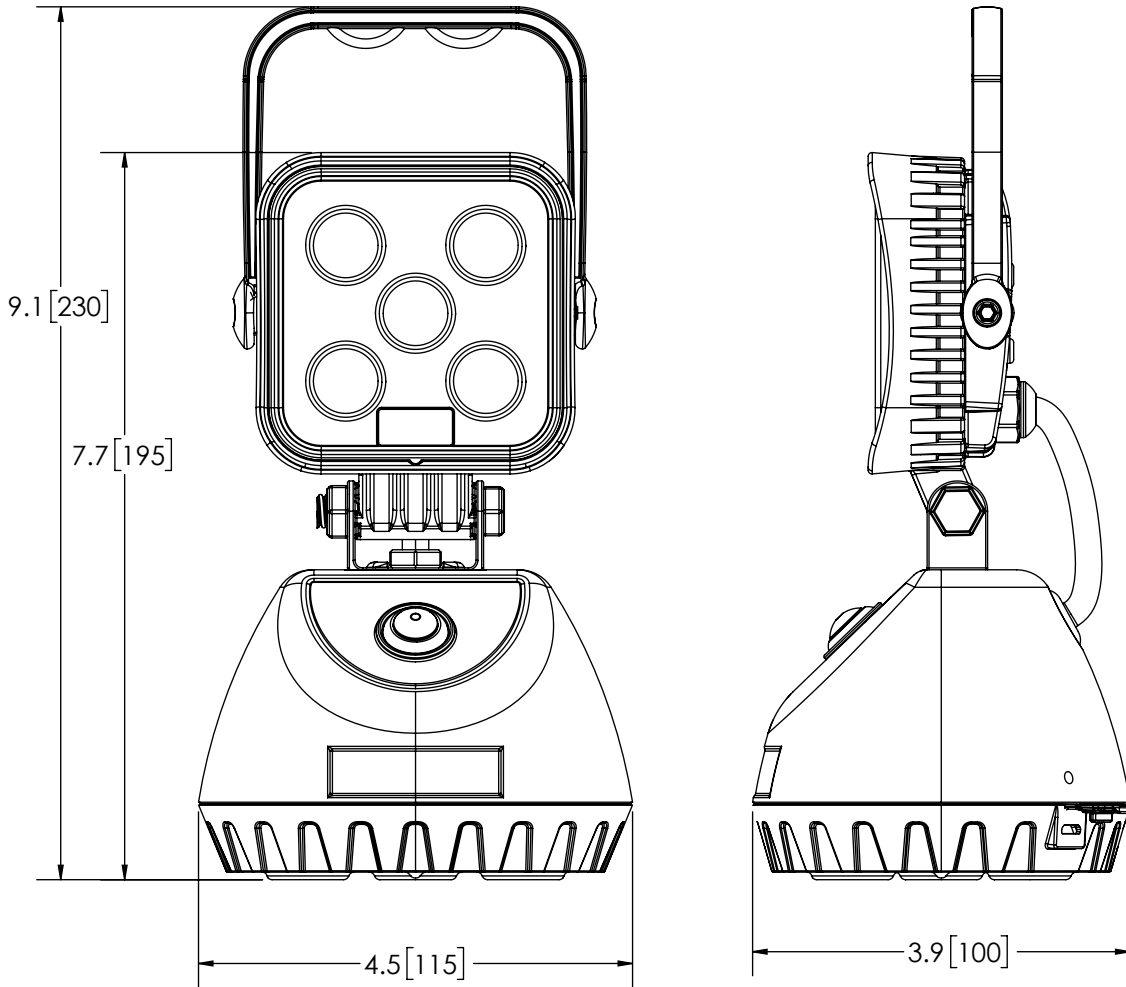


REVISION HISTORY		
REV.	DESCRIPTION	DATE
03	REVISED PER EC4751	2020-02-04
04	REVISED PER EC4751	2020-05-15
A	INITIAL RELEASE PER EC4751	2020-06-30

## SPECIFICATIONS

- CERTIFICATIONS: UN 38.3  
Note: Unique components, accessories, and hardware kits are not typically included in the Product Certification Test Protocols. Unless otherwise Specified, the Product Certifications referred to herein are predicated upon the base product model configuration.
- RAW LUMENS: 650 lumens
- EFFECTIVE LUMENS: 600 lumens
- ILLUMINANCE (@100 FT): 2.17 lux
- PEAK BEAM INTENSITY: 2019 candela
- TEMPERATURE RANGE: -22°F (-30°C) TO 122°F (50°C)
- CONNECTION: Battery Powered no power lead
- MOUNTING: MAGNET MOUNT
- HOUSING MATERIAL: ALUMINUM
- LENS MATERIAL: POLYCARBONATE
- PRODUCT WEIGHT: 1.72 LBS (0.77 Kg)



### DISCLAIMER

DIMENSIONS, ILLUSTRATIONS, SPECIFICATIONS AND CERTIFICATIONS CONTAINED IN THIS DOCUMENT ARE TYPICAL OF THE ACTUAL PRODUCT AND ARE SUBJECT TO CHANGE. ECCO DOES NOT MAINTAIN FORMAL DESIGN CONTROL OF THIS PRODUCT.

- NOTES:  
 1. ROHS COMPLIANT  
 2. DIMENSIONS IN INCHES[MILLIMETERS (FOR REFERENCE)]

SCALE 1:2		APPROVALS	DATE
CAD GENERATED DRAWING DO NOT MANUALLY UPDATE. MODEL REFERENCED:		DRAWN BY: ABB	2020-05-15
		CHECKED: ABD	2020-05-18
TOLERANCES ARE IN INCHES, AND MILLIMETERS TOLERANCES UNLESS OTHERWISE STATED ARE:		MECH. ENG. JLA	2020-05-15
		ELEC. ENG. SPO	2020-05-19
MILLIMETERS DECIMALS XX ± 1.0mm XX.X ± 0.5mm		TEST ENG. RM	2020-05-19
		SALES. ARS	2020-05-15
THIRD ANGLE PROJECTION			



**WORKLAMP, 5LED, SQUARE, FLOOD, 12VDC**

CUSTOMER PART NO. N/A			
SIZE: A	DWG. NO.	EW2461	REV. A
Electronically Controlled Use Latest Copy		SHEET 1 OF 1	Project: EC4751
		Date Created: 2020-01-23	

PROPRIETARY AND CONFIDENTIAL INFORMATION  
 THIS DRAWING AND THE DESIGN AND OTHER INFORMATION DISCLOSED HEREIN ARE THE PROPERTY OF ELECTRONIC CONTROLS COMPANY AND/OR ITS ECCO SAFETY GROUP AFFILIATES ("ECCO") AND IS ISSUED IN CONFIDENCE TO RECIPIENT FOR ENGINEERING INFORMATION PURPOSES ONLY. THIS DRAWING AND THE DESIGN AND OTHER INFORMATION DISCLOSED HEREIN MAY NOT BE USED, COPIED, REPRODUCED OR OTHERWISE DISCLOSED IN PART OR IN WHOLE TO THIRD PARTIES OR USED FOR ANY OTHER PURPOSE WITHOUT PRIOR ECCO WRITTEN CONSENT. ECCO RESERVES ALL PATENT, COPYRIGHT, TRADEMARK AND OTHER PROPRIETARY RIGHTS TO THIS DOCUMENT, INCLUDING ALL DESIGN, MANUFACTURING, REPRODUCTION, USE AND SALES RIGHTS THEREOF. THIS DRAWING IS SUBJECT TO RECALL BY ECCO AT ANY TIME, AND YOUR POSSESSION AND/OR USE CONSTITUTES ACCEPTANCE OF THESE TERMS. ©2020 ELECTRONIC CONTROLS COMPANY