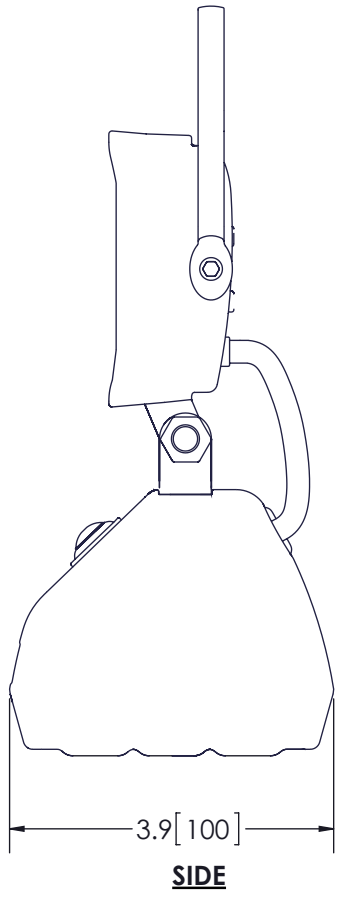
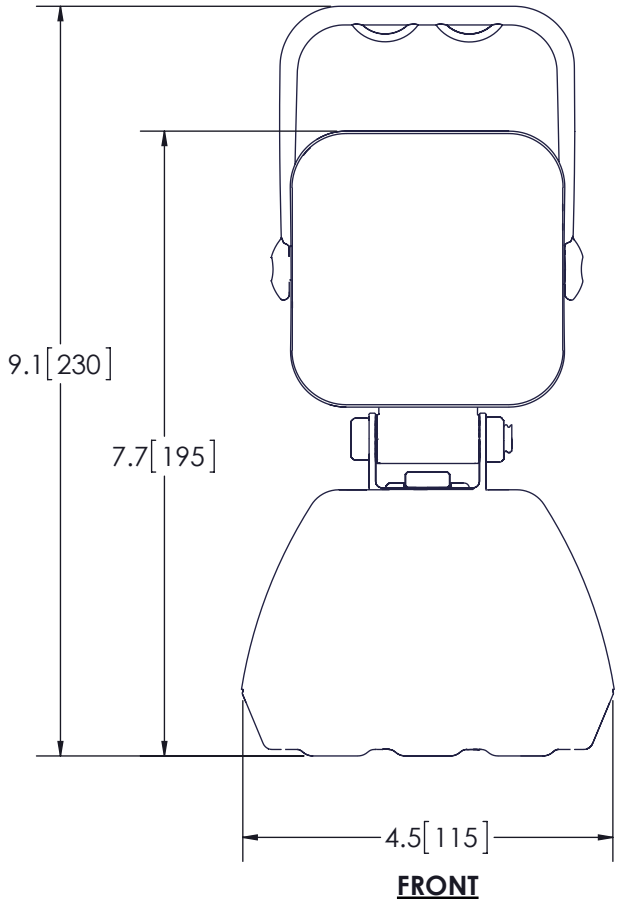


REVISION HISTORY	
REV.	DESCRIPTION
03	REVISED PER LM14201
04	REVISED PER LM14201
A	INITIAL RELEASE PER LM14201



SPECIFICATIONS

1. **CERTIFICATIONS:**
 Note: Unique components, accessories, and hardware kits are not typically included in the Product Certification Test Protocols. Unless otherwise Specified, the Product Certifications referred to herein are predicated upon the base product model configuration.
2. **LUMINOUS FLUX:** 600 lumens
3. **ILLUMINANCE:** lux
4. **PEAK BEAM INTENSITY:** Candela
5. **EFFICACY:** lm/W
6. **CORRELATED COLOR TEMPERATURE:** 6520K
7. **VOLTAGE (NOMINAL):** VDC
8. **VOLTAGE (EXTREME):** VDC
9. **CURRENT (PEAK):** A (@ 12 VDC NOMINAL)
10. **POWER (MAXIMUM):** W (@ 12 VDC NOMINAL)
11. **TEMPERATURE RANGE:** -22°F (-30°C) TO 122°F (50°C)
12. **CONNECTION:** Battery Powered no power lead
13. **MOUNTING:** MAGNET MOUNT
14. **HOUSING MATERIAL:** ALUMINUM
15. **LENS MATERIAL:** ACRYLIC
16. **PRODUCT WEIGHT:** 1.72 LBS (0.77 Kg)

DISCLAIMER
 Dimensions, Illustrations, Specifications, and Certifications contained in this document are typical of the actual product and are subject to change. ECCO Engineering does not maintain formal design control of this product.

NOTES:
 1. DIMENSIONS IN INCHES [MILLIMETERS (FOR REFERENCE)]

SCALE 1:1		APPROVALS		Electronic Controls Co.
CAD GENERATED DRAWING DO NOT MANUALLY UPDATE. MODEL REFERENCED:		DRAWN BY	SNS	
TOLERANCES ARE IN INCHES, AND MILLIMETERS TOLERANCES ARE:		CHECKED		
TOLERANCES ARE IN INCHES, AND MILLIMETERS TOLERANCES ARE:		MECH. ENG.	JLA	
MILLIMETERS DECIMALS XX. ± 1.0mm XX.X ± 0.5mm	INCHES DECIMALS X.X ± 0.1 X.XX ± 0.04 X.XXX ± 0.02	ANGLES	± 0.5°	WORKLAMP, 5LED, SQUARE, FLOOD, 12-24VDC CUSTOMER PART NO. EW2461 PRODUCT SERIES:
		FRACTIONS	± 1/64	
		TEST ENG.	JRT	
		SALES.	WNH	
THIRD ANGLE PROJECTION				SIZE: A
<small>THIS DRAWING AND THE DESIGN IT DISCLOSES ARE THE PRIVATE PROPERTY OF ECCO AND IS ISSUED IN CONFIDENCE FOR ENGINEERING INFORMATION ONLY. THE DRAWING AND / OR DESIGN MAY NOT BE USED, COPIED, REPRODUCED, OR OTHERWISE DISCLOSED IN PART OR AS A WHOLE TO OUTSIDERS OR USED FOR ANY OTHER PURPOSE WITHOUT THE PRIOR WRITTEN CONSENT OF ECCO. THE DRAWING IS SUBJECT TO RECALL AT ANY TIME. YOUR POSSESSION OF THIS DOCUMENT CONSTITUTES ACCEPTANCE OF THESE TERMS.</small>		Electronically Controlled Use Latest Copy		DWG. NO. EW2461
		SHEET 1 OF 1	Project: LM14201	Date Created:

When it comes to quality portable work lights, ECCO is the brand you can depend on.