

# Dynorbital-Spirit®

## 12,000 RPM, Random Orbital Sander



**Safety, Operation and Maintenance – Save This Document and Educate All Personnel**

### Models

3/8" Orbit		3/16" Orbit		3/32" Orbit	
59000	59013	58054	59025	59030	59043
59003	59014	59015	59028	59033	59044
59004	59100	59018	59029	59034	59110
59005	59103	59019	59105	59035	59113
59008	59104	59020	59108	59038	59114
59009	59163	59023	59109	59039	59165
59010		59024	59164	59040	



**SANDER/POLISHER**

## ⚠ WARNING

Read and understand this tool manual before operating your air tool. Follow all safety rules for the protection of operating personnel as well as adjacent areas. Always operate, inspect and maintain this tool in accordance with the American National Standards Institute (ANSI). Safety Requirements for the Use, Care and Protection of Abrasive Wheels – ANSI B7.1, Compressed Air and Gas Institute (CAGI) Safety Code for Portable Air Tools – B186.1, Code of Federal Regulation – CFR 29 Part 1910, International Organization for Standardization (ISO) Hand Held Non-Electric Power Tools – Safety Requirements and applicable State and Local Regulations.



Read and understand tool manual before work starts to reduce risk of injury to operator, visitors, and tool.



Eye protection must be worn at all times, eye protection to conform to ANSI Z87.1.



Ear protection to be worn when exposure to sound, exceeds the limits of applicable Federal, State or local statutes, ordinances and/or regulations.



Practice safety requirements. Work alert, have proper attire, and do not operate tools under the influence of alcohol or drugs.



Respiratory protection to be used when exposed to contaminants that exceed the applicable threshold limit values required by law.



Air line hazard, pressurized supply lines and flexible hoses can cause serious injury. Do not use damaged, frayed or deteriorated air hoses and fittings.

Some dust created by sanding, grinding, drilling, and other construction activities contain chemicals known to cause cancer, birth defects or other reproductive harm. Some examples of these chemicals are:

- Lead from lead-based paints
- Crystalline silica from bricks and cement and other masonry products
- Arsenic and chromium from chemically treated lumber

Your risk from these exposures varies, depending on how often you do this type of work. To reduce your exposure to these chemicals: work in a well ventilated area, and work with approved safety equipment, such as those dust masks that are specially designed to filter out microscopic particles.

### SAFETY INSTRUCTIONS



Carefully Read and Understand the General and Sander/Polishing sections found in Tool Safety and Operating Guidelines (PN00001676) Before Handling or Using Tool.

Carefully Read all instructions before operating or servicing any Dynabrade® Abrasive Power Tool. Products offered by Dynabrade are not to be modified, converted or otherwise altered from the original design.

**Tool Intent:** Dynorbital-Spirit® Random Orbital Sanders are used for sanding and finishing a variety of materials including wood, metal, plastic, fiberglass, solid surfaces, composites, rubber, glass and stone.

**DO NOT USE Tool for Anything Other Than Its Intended Applications.**

**Training:** Proper care, maintenance, and storage of your air tool will maximize tools performance and reduce chance for accident.

**Employer's Responsibility:** Provide operators with safety instructions and training for safe use of tools and accessories.

**Report to Your Supervisor any Condition of the Tool, Accessories or Operation you Consider Unsafe.**

# MAINTENANCE INSTRUCTIONS

**Important:** To keep tool safe, a Preventative Maintenance Program is recommended. The program should include inspection of the tool and all related accessories and consumables, including air lines, pressure regulators, filters, oilers, etc. (refer to CAGI B186.1 for additional maintenance information). If accessory or tool breakage occurs, investigate failure to determine the cause and correct before issuing tool for work. Use the following schedule as a starting point in developing a Preventative Maintenance Program. If tool does not operate properly (RPM, vibration, start/stop) after these scheduled checks or at any time, the tool must be repaired and corrected before returning tool to use.

## INSTALLATION

- To ensure long life and dependable service, use a Closed Loop Air System and Filter-Regulator-Lubricator (FRL) as diagramed below.
- Each tool should have its own dedicated hose connected to an air supply FRL. Quick disconnects should be installed at the FRL in an effort to reduce contamination into the tool. Securely affix all fittings and hose assemblies.
- It is strongly recommended that all Dynabrade rotary vane air tools be used with a Filter-Regulator-Lubricator to minimize the possibility of misuse due to unclean air, wet air or insufficient lubrication. Dynabrade recommends the following: **10690** Air Line Filter-Regulator-Lubricator — Provides accurate air pressure regulation, two-stage filtration of water contaminants and micro-mist lubrication of pneumatic components.
- Dynabrade recommends 1 drop of air lube per minute for each 20 SCFM (example: if the tool specification states 40 SCFM, set the drip rate on the filter-lubricator to 2 drops per minute). **95842** Dynabrade Air Lube is recommended.

## MAINTENANCE SCHEDULE

Maintenance schedules depend on the type and style of tool. Refer to page 3 to reference symbols associated with specific maintenance items/areas. Match maintenance schedules accordingly. See page 4 for any additional maintenance information.

**Note:** Turbine style air motors do not require oil.

### Daily (every 8 hours):

- Inspect tool and accessories for damage or broken parts. Replace items as necessary to ensure proper operation and safety.
- O** Lubricate motor as recommended. Use **95842** Dynabrade Air Lube (10W/NR). Apply 1 drop/minute of air lube per 20 SCFM.
- Check air line pressure with a gage. (MAX. 90 PSIG or 6.2 Bar operating pressure at the air inlet of the tool.)
- W** Lubricate wick system and right angle gears through gear case fitting. Apply 3 plunges of **95848** Gear Oil. Use **95541** Lubricant Gun (Prime lubricant gun before use).
- Check tool for proper operation: If operating improperly or demonstrates unusual vibration, the tool must be serviced and problem corrected before further use.

### Every 20 Hours/Once a Week (which ever comes first):

- G** For tools without "wick system", lubricate right angle gears through lubricant fitting. Apply 1 plunge of **95544** Grease. Use **95541** Lubricant Gun. (Prime lubricant gun before use).
- Measure RPM (speed) by setting air pressure to 90 PSIG (6.2 Bar) at tool inlet, without accessory mounted, while the tool is running. Using

tachometer, check spindle speed of the tool. Unless otherwise stated the no-load speed may not exceed the rated speed. If tool speed exceeds maximum rated RPM, service as required and correct before use.

- If tool is running too fast: look for worn, damaged or missing governor, air control rings and silencer(s). Service as required.
- If tool is running too slow: look for malfunctioning governor, clogged inlet screen, silencer(s) or air stream. Service as required.

**Note:** Special care must be taken when servicing governors. Refer to specific tool manual for governor instructions and/or speed control devices. Governor assemblies made from molded plastic components are non-serviceable and must be replaced.

### Every 50 Hours:

- G** Lubricate planetary gears through gear case fitting with 3 plunges of **95544** Grease. Use **95541** Lubricant Gun. (Prime lubricant gun before use).

## REPAIR

- Use only genuine Dynabrade replacement parts to ensure quality. To order replacement parts, specify Model#, Serial# and RPM of your air tool.
- Mineral spirits are recommended when cleaning the tool and parts. Do not clean tool or parts with any solvents or oils containing acids, esters, ketones, chlorinated hydrocarbons or nitro carbons.
- A Motor Tune-Up Kit is available which includes high wear and medium wear motor parts.
- Air tool markings must be kept legible at all times, if not, reorder housing and replace. User is responsible for maintaining specification information.

- O** After maintenance is performed on tool, add a few drops of **95842** Dynabrade Air Lube to the tool inlet and start the tool a few times to lubricate air motor. Verify RPM (per 20 hr maintenance schedule), vibration and operation.

## HANDLING & STORAGE

- Use of tool rests, hangers and/or balancers is recommended.
- Protect tool inlet from debris (see Notice below).
- Do Not** carry tool by air hose or near the tool throttle lever.
- Store accessories in protective racks or compartments to prevent damage.
- Follow the handling instructions outlined in the operating instructions when carrying the tool and when changing accessories.
- Protect accessories from exposure to water, solvents, high humidity, freezing temperature and extreme temperature changes.

## END OF USE/DISPOSAL

When tool has reached its end of useful service, disassemble tool into its primary components (i.e. steel, aluminum and plastic) and recycle or discard per local, state and/or federal regulations as to not harm the environment.

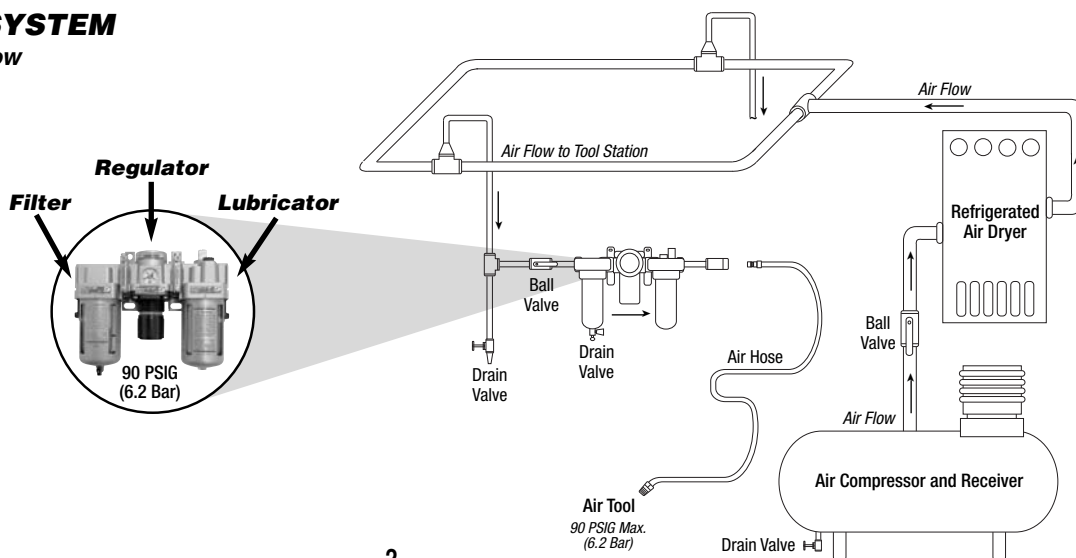
## NOTICE

All Dynabrade air motors use the highest quality parts available and are manufactured to exacting tolerances. Air motor failures are often traced to lack of lubrication or unclean air supply. Compressed air can force dirt and other contaminants into motor bearings causing early failure. Contaminants can score cylinder wall and vanes resulting in reduced efficiency and power. Our warranty obligation is contingent upon proper use of our tools. Air motors which have been subjected to misuse, contaminated air or lack of lubrication will void warranty.

## CLOSED LOOP AIR SYSTEM

### Sloped in Direction of Air Flow

- Dynabrade Air Power Tools are designed to operate at 90 PSIG (6.2 Bar) maximum air pressure at the tool inlet, when the tool is running. Use recommended regulator to control air pressure.
- Ideally the air supply should be free from moisture. To facilitate removing moisture from air supply, the installation of a refrigerated air dryer after the compressor and the use of drain valves at each tool station is recommended.



### Lubricator Setting

1 Drop/Minute per 20 SCFM

# Models

58054, 59000, 59003, 59004, 59005, 59008, 59009, 59010, 59013, 59014, 59015, 59018, 59019, 59020, 59023, 59024, 59025, 59028, 59029, 59030, 59033, 59034, 59035, 59038, 59039, 59040, 59043, 59044, 59100, 59103, 59104, 59105, 59108, 59109, 59110, 59113, 59114, 59163, 59164, 59165

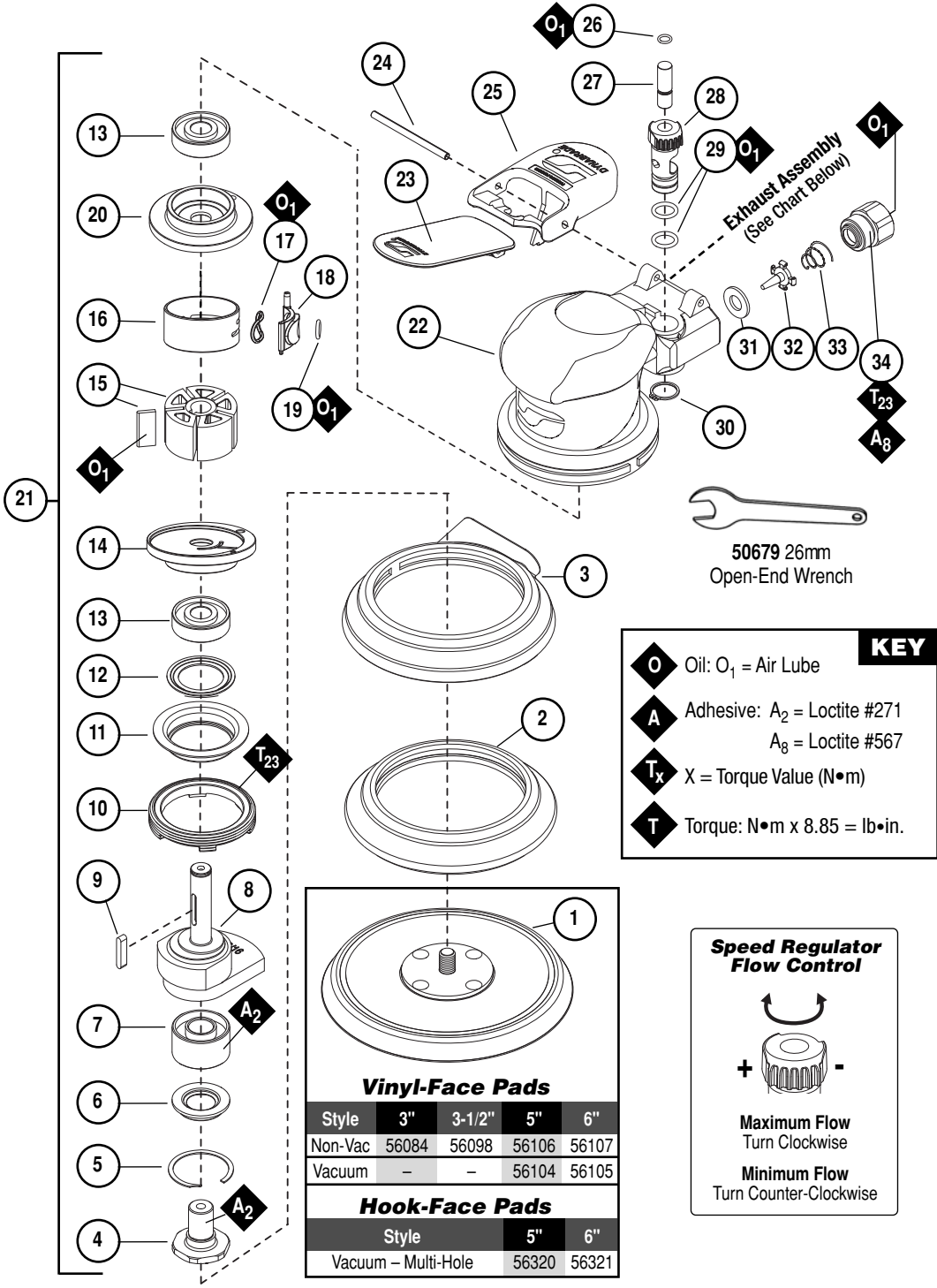
**Note:** To order replacement parts specify the **Model #** and **Serial #** of your machine.

# Dynorbital-Spirit® Complete Assembly

## Index Key

No.	Part #	Description
1	<b>Back-Up Pads</b> - See Below	
2	<b>Non-Vacuum Shroud</b>	
	54458	3" & 3-1/2" Diameter
	56051	5" & 6" Diameter
3	<b>Vacuum Shroud</b>	
	57084	3" & 3-1/2" Diameter
	69362	5" Diameter
	69363	6" Diameter
4	57069	Balancer Shaft
5	95630	Snap Ring
6	59084	V-Seal
7	56052	Bearing
8	<b>Motor Shaft Balancer</b>	
	Orbit	3"    3-1/2"    5"    6"
	3/8"	59122    59070    59071    59072
	3/16"	59120    59060    59061    59062
	3/32"	59121    59065    59066    59067
9	56047	Key
10	59058	Lock Ring
11	59057	"Top Hat" Seal
12	59083	Felt
13	58368	Bearing (2)
14	59137	Front Bearing Plate
15	57113	Rotor/Blade Set
16	59134	Cylinder
17	95529	O-Ring
18	59133	Cylinder Sleeve Adapter
19	01024	O-Ring
20	59138	Rear Bearing Plate
21	<b>Drop-In Motor Assembly</b> (See Chart - Page 4)	
22	<b>Housing</b> (See Chart - Page 4)	
23	<b>Throttle Lever</b>	
	69356	3/8" Dia. Orbit
	69360	3/16" Dia. Orbit
	69357	3/32" Dia. Orbit
24	94590	Pin
25	57041	Comfort Platform
26	98459	O-Ring
27	58363	Valve Stem
28	59075	Speed Regulator
29	01025	O-Ring (2)
30	95697	Retaining Ring
31	01464	Seal
32	58365	Tip Valve
33	01468	Spring
34	01494	Inlet Bushing
35	69364	Shroud Adapter (5" & 6")
36	57083	Vacuum Adapter
37	96197	Dowel Pin
38	57066	Muffler Body
39	95526	O-Ring
40	59088	Vac Nozzle
41	57067	Vac Tube
42	57093	Vacuum Adapter
43	56027	Muffler Insert (AR)
44	69359	Muffler Cap

AR - As Required

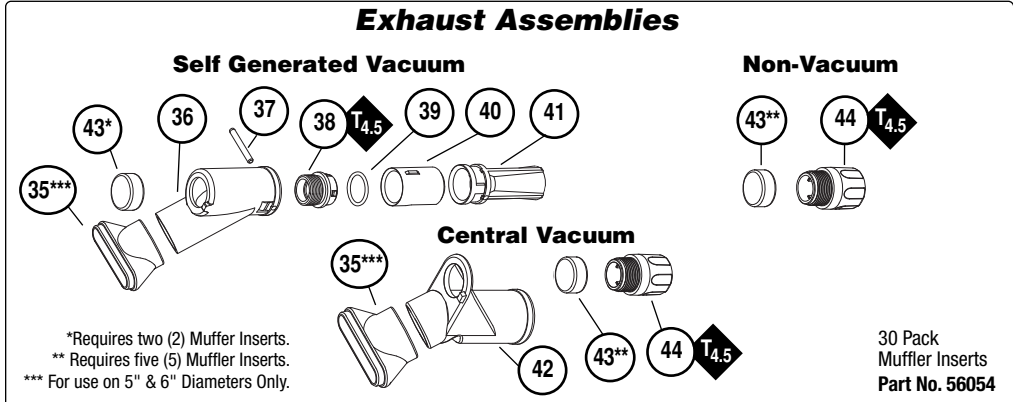
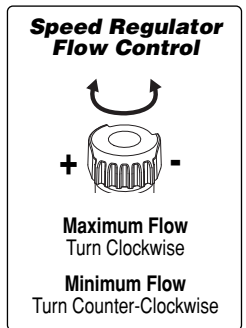


KEY	
<b>O</b>	Oil: O <sub>1</sub> = Air Lube
<b>A</b>	Adhesive: A <sub>2</sub> = Loctite #271 A <sub>8</sub> = Loctite #567
<b>T<sub>x</sub></b>	X = Torque Value (N•m)
<b>T</b>	Torque: N•m x 8.85 = lb•in.

Vinyl-Face Pads				
Style	3"	3-1/2"	5"	6"
Non-Vac	56084	56098	56106	56107
Vacuum	-	-	56104	56105

Hook-Face Pads		
Style	5"	6"
Vacuum - Multi-Hole	56320	56321



## MACHINE SPECIFICATIONS

Model Number	Vacuum Style	Tool Dia. Inch (mm)	Dia. Orbit Inch (mm)	Sound Level	Weight Pound (kg)	Length Inch (mm)
59000	Non-Vac	3-1/2 (89)	3/8 (10)	71 dB(A)	1.4 (.6)	6 (152)
59005	Non-Vac	5 (127)	3/8 (10)	73 dB(A)	1.5 (.7)	6-1/2 (165)
59010	Non-Vac	6 (152)	3/8 (10)	74 dB(A)	1.6 (.7)	7 (178)
59015	Non-Vac	3-1/2 (89)	3/16 (5)	72 dB(A)	1.4 (.6)	6 (152)
59020	Non-Vac	5 (127)	3/16 (5)	72 dB(A)	1.4 (.6)	6-1/2 (165)
59025	Non-Vac	6 (152)	3/16 (5)	73 dB(A)	1.5 (.7)	7 (178)
59030	Non-Vac	3-1/2 (89)	3/32 (2)	70 dB(A)	1.4 (.6)	6 (152)
59035	Non-Vac	5 (127)	3/32 (2)	74 dB(A)	1.4 (.6)	6-1/2 (165)
59040	Non-Vac	6 (152)	3/32 (2)	70 dB(A)	1.5 (.6)	7 (178)
59100	Non-Vac	3 (76)	3/8 (10)	70 dB(A)	1.4 (.6)	6 (152)
59105	Non-Vac	3 (76)	3/16 (5)	72 dB(A)	1.4 (.6)	6-1/2 (165)
59110	Non-Vac	3 (76)	3/32 (2)	70 dB(A)	1.3 (.6)	7 (178)
59003	Self-Gen	3-1/2 (89)	3/8 (10)	77 dB(A)	1.5 (.7)	8-1/2 (216)
59008	Self-Gen	5 (127)	3/8 (10)	76 dB(A)	1.6 (.7)	8-1/2 (216)
59013	Self-Gen	6 (152)	3/8 (10)	76 dB(A)	1.7 (.7)	9 (229)
59018	Self-Gen	3-1/2 (89)	3/16 (5)	78 dB(A)	1.4 (.6)	8-1/2 (216)
59023/58054	Self-Gen	5 (127)	3/16 (5)	76 dB(A)	1.5 (.7)	8-1/2 (216)
59028	Self-Gen	6 (152)	3/16 (5)	77 dB(A)	1.6 (.7)	9 (229)
59033	Self-Gen	3-1/2 (89)	3/32 (2)	76 dB(A)	1.4 (.6)	8-1/2 (216)
59038	Self-Gen	5 (127)	3/32 (2)	75 dB(A)	1.5 (.6)	8-1/2 (216)
59043	Self-Gen	6 (152)	3/32 (2)	77 dB(A)	1.5 (.7)	9 (229)
59103	Self-Gen	3 (76)	3/8 (10)	76 dB(A)	1.5 (.7)	8-1/2 (216)
59108	Self-Gen	3 (76)	3/16 (5)	76 dB(A)	1.4 (.6)	8-1/2 (216)
59113	Self-Gen	3 (76)	3/32 (2)	77 dB(A)	1.4 (.6)	9 (229)
59004	Central	3-1/2 (89)	3/8 (10)	77 dB(A)	1.5 (.7)	7 (178)
59009/59163	Central	5 (127)	3/8 (10)	77 dB(A)	1.5 (.7)	7-1/4 (184)
59014	Central	6 (152)	3/8 (10)	79 dB(A)	1.6 (.7)	7-3/4 (197)
59019	Central	3-1/2 (89)	3/16 (5)	76 dB(A)	1.4 (.6)	7 (178)
59024/59164	Central	5 (127)	3/16 (5)	75 dB(A)	1.5 (.6)	7-1/4 (184)
59029	Central	6 (152)	3/16 (5)	77 dB(A)	1.6 (.7)	7-3/4 (197)
59034	Central	3-1/2 (89)	3/32 (2)	76 dB(A)	1.4 (.6)	7 (178)
59039/59165	Central	5 (127)	3/32 (2)	76 dB(A)	1.4 (.6)	7-1/4 (184)
59044	Central	6 (152)	3/32 (2)	74 dB(A)	1.5 (.7)	7-3/4 (197)
59104	Central	3 (76)	3/8 (10)	75 dB(A)	1.5 (.6)	7 (178)
59109	Central	3 (76)	3/16 (5)	77 dB(A)	1.4 (.6)	7-1/4 (184)
59114	Central	3 (76)	3/32 (2)	76 dB(A)	1.4 (.6)	7-3/4 (197)

Motor Power .25 hp (186 W)  
 Motor Speed 12,000 RPM  
 Tool Height 3-1/2" (89 mm)  
 Pad Thread 5/16"-24 Female

Air Inlet Thread 1/4" NPT  
 Hose I.D. 1/4" (6 mm)  
 Air Flow Rate 16 SCFM (450 LPM)  
 Air Pressure 90 PSIG (6.2 Bar)

Sound Level is the pressure measurement according to the method outlined in ISO regulation ISO-15744

## REPLACEMENT HOUSINGS

Model #	Housing #	Model #	Housing #
58054	58963	59033	58983
59000	58964	59034	58984
59003	58965	59035	58985
59004	58966	59038	58986
59005	58967	59039	58987
59008	58968	59040	58988
59009	58969	59043	58989
59010	58970	59044	58990
59013	58971	59100	58991
59014	58972	59103	58992
59015	58973	59104	58993
59018	58974	59105	58994
59019	58975	59108	58995
59020	58976	59109	58996
59023	58977	59110	58997
59024	58978	59113	58998
59025	58979	59114	58999
59028	58980	59163	58960
59029	58981	59164	58961
59030	58982	59165	58962

## OPTIONAL ACCESSORIES

### Drop-In Motor Assemblies

Orbit	3"	3-1/2"	5"	6"
3/8"	59512	59485	59497	59500
3/16"	59513	59486	59498	59501
3/32"	59514	59487	59499	59502



Note 59058 Lock Ring is only included with 3/8" Orbit Drop-In Motor Assemblies.

### Non-Vacuum to Vacuum Conversion Kits

Non-Vac Tool	Converts To	Kit Number
3-1/2" (89 mm)	Self-Generated Vac-Ready	57118
3-1/2" (89 mm)	Central Vac-Ready	57119
5" (127 mm)	Self-Generated Vac-Ready	57120
5" (127 mm)	Central Vac-Ready	57121
6" (152 mm)	Self-Generated Vac-Ready	57122
6" (152 mm)	Central Vac-Ready	57123

### Tune-Up Kit

- Contains high & medium wear parts.

Part No. 96510

