

5" - 8" Buffer

Model:

18050 - 5/8"-11 External Spindle
18053 - M-14 External Spindle

0-2,500 RPM

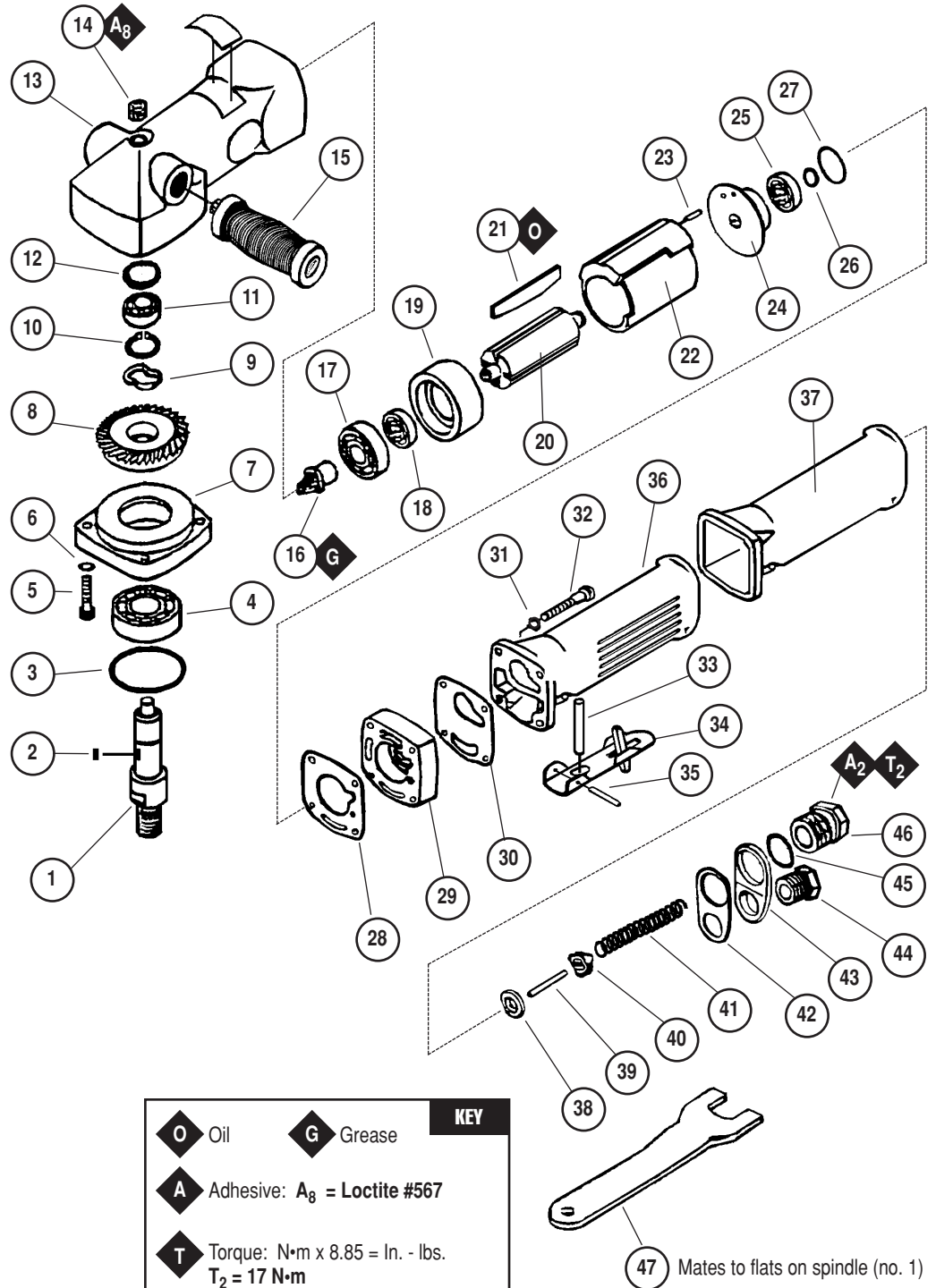
Air Motor and Machine Parts

! WARNING

Always operate, inspect and maintain this tool in accordance with the Safety Code for portable air tools (ANSI B186.1) and any other applicable safety codes and regulations. Please refer to Dynabrade's Warning/Safety Operating Instructions for more complete safety information.

Index Key

No.	Part #	Description
1	18564	Spindle Cap - 5/8"-11
	18599	Spindle Cap - M-14
2	18563	Key
3	18562	Retaining Ring
4	18561	Ball Bearing
5	18560	Cap Screw (4)
6	18559	Washer (4)
7	18558	Spindle Cap
8	18593	Bevel Gear
9	18557	Wave Washer
10	18556	Retaining Ring
11	18555	Ball Bearing
12	18554	Spacer
13	18552	Motor Housing
14	18551	Plug
15	18553	Handle
16	18594	Pinion Gear
17	18568	Ball Bearing
18	18555	Ball Bearing
19	18569	Front Plate
20	18595	Rotor
21	18570	Blade (4/pkg.)
22	18571	Cylinder
23	18572	Roll Pin
24	18573	Rear Plate
25	18555	Ball Bearing
26	18567	Retaining Ring
27	18574	O-Ring
28	18576	Motor Gasket
29	18577	Spacer
30	18578	Valve Body Gasket
31	18559	Washer (4)
32	18580	Cap Screw (4)
33	18581	Valve Pin
34	18582	Locking Lever
35	18583	Roll Pin
36	18579	Housing
37	18601	Boot
38	18584	Valve Seat
39	18585	Valve Pin
40	18586	Valve
41	18587	Valve Spring
42	18588	Exhaust Gasket
43	18589	Exhaust Retainer
44	18592	Exhaust Bushing
45	18590	O-Ring
46	18591	Inlet Bushing
47	18596	Spanner Wrench



See reverse side for Accessories and Important Operating, Maintenance and Safety Instructions.

Autobrade Red Important Operating, Maintenance and Safety Instructions

Carefully read all instructions before operating or servicing any Dynabrade® Abrasive Power Tool.

Warning: Hand, wrist and arm injury may result from repetitive work motion and overexposure to vibration.

Important: All Dynabrade air tools must be used with a Filter-Regulator-Lubricator to maintain all warranties.

Operating Instructions:

Warning: Eye, face and body protection must be worn while operating power tools. Failure to do so may result in serious injury or death. Follow safety procedures posted in workplace.

1. With power source disconnected from tool, securely fasten abrasive/accessory on tool.
2. Install air fitting into inlet bushing of tool. **Important:** Secure inlet bushing of tool with a wrench before attempting to install the air fitting to avoid damaging valve body housing.
3. Connect power source to tool. Be careful not to depress throttle lever in the process.
4. Check tool speed with tachometer. If tool is operating at a higher speed than the RPM marked on the tool or operating improperly, the tool should be serviced to correct the cause before use.

Maintenance Instructions:

1. Check tool speed regularly with a tachometer. If tool is operating at a higher speed than the RPM marked on the tool, the tool should be serviced to correct the cause before use.
2. Some silencers on air tools may clog with use. Clean and replace as required.
3. All Dynabrade air motors should be lubricated. Dynabrade recommends one drop of air lube per minute for each 10 SCFM (example: if the tool specification state 40 SCFM, set the drip rate of your filter-lubricator at 4 drops per minute). Dynabrade Air Lube (P/N 95842: 1pt. 473ml.) is recommended.
4. An air line filter-regulator-lubricator must be used with this air tool to maintain all warranties. Dynabrade recommends the following: **11411** Air Line Filter-Regulator-Lubricator — Provides accurate air pressure regulation, two-stage filtration of water contaminants and micro-mist lubrication of pneumatic components. Operates 28 CFM @ 90 PSI has 3/8" NPT female ports.
5. Use only genuine Dynabrade replacement parts. To reorder replacement parts, specify the **Model #**, **Serial #**, and **RPM** of your machine.
6. Mineral spirits are recommended when cleaning the tool and parts. Do not clean tool or parts with any solvents or oils containing acids, esters, keytones, chlorinated hydrocarbons or nitro carbons.

Safety Instructions:

Products offered by Dynabrade should not be converted or otherwise altered from original design without expressed written consent from Dynabrade, Inc.

- **Important:** User of tool is responsible for following accepted safety codes such as those published by the American National Standards Institute (ANSI).
- Operate machine for one minute before application to workpiece to determine if machine is working properly and safely before work begins.
- Always disconnect power supply before changing abrasive/accessory or making machine adjustments.
- Inspect abrasives/accessories for damage or defects prior to installation on tools.
- Please refer to Dynabrade's Warning/Safety Operating Instructions Tag (Reorder No. 95903) for more complete safety information.
- **Warning:** Hand, wrist and arm injury may result from repetitive work, motion and overexposure to vibration.

Autobrade Red Tool Warranty

Following the reasonable assumption that any inherent defect which might prevail in a product will become apparent to the user within **6 months** from the date of purchase, "Autobrade Red" tools are warranted against defects in workmanship and materials under normal use and service.

We shall, at our option, repair or replace at our factory, any "Autobrade Red" tool which shall, within 6 months after delivery to the original purchaser, indicate upon our examination to have been defective.

Our obligation is contingent upon proper use of "Autobrade Red" tools in accordance with factory recommendations, instructions and practices.

The warranty shall not apply in these cases:

1. Normally wearable parts such as bearings, rotor blades, etc.
2. Consumables such as sanding pads, etc.
3. Misuse, neglect in maintaining tool or tool modification.
4. Lack of lubrication or evidence of rust, dirt or corrosion.
5. Tools requiring normal tune-up or cleaning.
6. Tools being used after they are badly worn such as using ratchet with worn yoke.
7. Ratchets anvils damaged by excessive hand torquing.
8. Use in production-type applications.

Products, to be considered for warranty, must be sent back to our factory, transportation prepaid by the user. Please send tool back to attention of "Repair Department" with note fully explaining the nature of the problem along with a copy of original invoice indicating model and serial number.



96672 Tune-Up Kit

For use with Model:

- 18050 – 5/8"-11 External Spindle
- 18053 – M-14 External Spindle

Air Motor and Machine Parts.

Refer to appropriate parts page for additional parts identification. Parts included in kits are identified by part number.

Index Key

No.	Part #	Description
1	18562	Retaining Ring
2	18561	Bearing
3	18555	Bearing (3)
4	18568	Bearing
5	18570	Rotor Blade Set (4/pkg.)
6	18574	O-Ring
7	18576	Motor Gasket
8	18578	Valve Body Gasket

