

The following are trademarks for one or more DEWALT power tools: the yellow and black color scheme; the "D" shaped air intake grill; the array of pyramids on the handgrip; the kit box configuration; and the array of lozenge-shaped humps on the surface of the tool.

Definitions: Safety Guidelines

The definitions below describe the level of severity for each signal word. Please read the manual and pay attention to these symbols.

▲ DANGER: Indicates an imminently hazardous situation which, if not avoided, **will** result in **death or serious injury**.

▲ WARNING: Indicates a potentially hazardous situation which, if not avoided, **could** result in **death or serious injury**.

▲ CAUTION: Indicates a potentially hazardous situation which, if not avoided, **may** result in **minor or moderate injury**.

NOTICE: Indicates a practice **not related to personal injury** which, if not avoided, **may** result in **property damage**.

▲ DANGER: To reduce the risk of injury, read the instruction manual. Failure to follow all instructions listed below may result in electric shock, fire and/or serious injury.

IMPORTANT SAFETY INSTRUCTIONS READ THESE INSTRUCTIONS

Safety Instructions for Heat Guns

- To reduce the risk of explosion, **DO NOT** use in paint spray booths or within 10' (3.0 m) of paint spraying operations.
- This appliance has a polarized plug (one blade is wider than the other). To reduce the risk of electric shock, this plug is intended to fit in a polarized outlet only one way. If the plug does not fit fully in the outlet, reverse the plug. If it still does not fit, contact a qualified electrician. Do not modify the plug in any way.
- DO NOT use this tool to remove paint containing lead.** The peelings, residue and vapors of paint may contain lead which is poisonous
- Hidden areas such as behind walls, ceilings, floors, soffit boards and other panels may contain flammable materials that could be ignited by the heat gun when working in these locations. The ignition of these materials may not be readily apparent and could result in property damage and injury to persons. When working in these locations, keep the heat gun moving in a back-and-forth motion. Lingering or pausing in one spot could ignite the panel or the material behind it.
NOTE: These heat guns are capable of producing temperatures in excess of 1000° F
- DO NOT** use this tool as a hair dryer.
- DO NOT** use this tool to heat food.
- DO NOT** lay the heat gun on flammable surfaces when operating the gun or immediately after shutting it off. Allow the tool to cool before storing. Always set the gun on a flat level surface so that the nozzle tip is pointed upward.
- DO NOT** use in the presence of explosive materials.
- Keep moveable items secured and steady while scraping.
- NEVER** obstruct the air intake or nozzle outlet. This may cause excessive heat build up resulting in damage to the tool.
- Be sure to direct the hot air blast in a safe direction; away from other people or flammable objects.
- DO NOT** remove the heat barrel cover during use.
- KEEP FINGERS AWAY FROM METAL NOZZLE;** it becomes very hot during use and remains hot for 30 minutes after use. Wear gloves to protect hands.
- ALWAYS** keep nozzle away from cord.
- DO NOT** touch the nozzle to any surface while running or shortly after running.
- DO NOT** place anything inside the nozzle as it could cause an electric shock. Do not look down the nozzle while the unit is turned on due to the high temperatures being produced.
- Splinters and small particles of stripped paint can be ignited and blown through holes and cracks in the surface being stripped.
- DO NOT** apply heat to the same area for a long period of time.

- DO NOT** burn the paint. Use the scraper provided and keep the nozzle at least 1" (25 mm) away from the painted surface. When working in a vertical direction, work downwards to prevent paint from falling into the tool and burning.
- DO NOT** allow paint to adhere to the nozzle or scraper. It could ignite.
- ALWAYS** use good quality scrapers and stripping knives.
- DO NOT** use the heat gun in combination with chemical strippers.
- DO NOT** use accessory nozzles as scrapers.
- DO NOT** direct heatgun airflow directly on glass. The glass may crack and could result in property damage or personal injury.
- Maintain labels and nameplates. These carry important information.
- Place the heat gun on a stable, level surface when not hand held. Place the cord in a position that won't cause the heat gun to tip over.
- Be constantly aware that this tool can ignite flammable materials, soften or melt others. Regardless of the task you are performing, shield or keep the heat gun away from these materials.
- You may occasionally notice some slight smoking of the tool after it is turned off. This is the result of heating the residual oil that was deposited on the heating element during the manufacturing process.
- Use eye protection and other safety equipment.**
- Do not abuse the cord. Never use the cord for carrying, pulling or unplugging the tool. Keep cord away from heat, oil, sharp edges or moving parts.** Damaged or entangled cords increase the risk of electric shock.
- When operating a tool outdoors, use an extension cord suitable for outdoor use.** Use of a cord suitable for outdoor use reduces the risk of electric shock.
- Do not expose tools to rain or wet conditions.** Water entering a tool will increase the risk of electric shock.
- Do not overreach. Keep proper footing and balance at all times.** This enables better control of the tool in unexpected situations.
- Store idle tools out of the reach of children and do not allow persons unfamiliar with the tool or these instructions to operate the tool.** Tools are dangerous in the hands of untrained users.
- Have your tool serviced by a qualified repair person using only identical replacement parts.** This will ensure that the safety of the tool is maintained.
- Air vents often cover moving parts and should be avoided.** Loose clothes, jewelry or long hair can be caught in moving parts.
- An extension cord must have adequate wire size (AWG or American Wire Gauge) for safety.** The smaller the gauge number of the wire, the greater the capacity of the cable, that is 16 gauge has more capacity than 18 gauge. An undersized cord will cause a drop in line voltage resulting in loss of power and overheating. When using more than one extension to make up the total length, be sure each individual extension contains at least the minimum wire size. The following table shows the correct size to use depending on cord length and nameplate ampere rating. If in doubt, use the next heavier gauge. The smaller the gauge number, the heavier the cord.

Ampere Rating		Minimum Gauge for Cord Sets				
		Volts	Total Length of Cord in Feet (meters)			
More Than	Not More Than	120V	25 (7.6)	50 (15.2)	100 (30.5)	150 (45.7)
				240V	50 (15.2)	100 (30.5)
		AWG				
0	6		18	16	16	14
6	10		18	16	14	12
10	12		16	16	14	12
12	16		14	12	Not Recommended	

▲ WARNING: Always use eye protection. All users and bystanders must wear eye protection that conforms to ANSI Z87.1.

▲ WARNING: Always wear proper personal hearing protection that conforms to ANSI S12.6 (S3.19) during use. Under some conditions and duration of use, noise from this product may contribute to hearing loss.

▲ WARNING: Some dust created by power sanding, sawing, grinding, drilling, and other construction activities contains chemicals known to cause cancer, birth defects or other reproductive harm. Some examples of these chemicals are:

- lead from lead-based paints,
- crystalline silica from bricks and cement and other masonry products, and
- arsenic and chromium from chemically-treated lumber (CCA).

Your risk from these exposures varies, depending on how often you do this type of work. To reduce your exposure to these chemicals: work in a well ventilated area, and work with approved safety equipment, such as those dust masks that are specially designed to filter out microscopic particles.

▲ WARNING: ALWAYS USE SAFETY GLASSES. Everyday eyeglasses are NOT safety glasses. Also use face or dust mask if cutting operation is dusty. All users and bystanders MUST ALWAYS wear certified safety equipment:

- ANSI Z87.1 eye protection (CAN/CSA Z94.3),
- ANSI S12.6 (S3.19) hearing protection,
- NIOSH/OSHA/MSHA respiratory protection.

The label on your tool may include the following symbols. The symbols and their definitions are as follows:

V.....volts	A..... amperes
Hz.....hertz	W..... watts
min.....minutes	~ alternating current
==direct current	nO..... no load speed
ⓁClass I Construction (grounded)	Ⓧ earthing terminal
ⓂClass II Construction (double insulated)	▲ safety alert symbol
sfpm.....surface feet per minute (sfpm)	BPM.....beats per minute
	.../min revolutions or reciprocation per minute

PERSONS REMOVING PAINT SHOULD ALWAYS FOLLOW THESE GUIDELINES:

▲ WARNING: Extreme care should be taken when stripping paint. The peelings, residue and vapors of paint may contain lead, which is poisonous. Any pre-1977 paint may contain lead and paint applied to homes prior to 1950 is likely to contain lead. Once deposited on surfaces, hand to mouth contact can result in the ingestion of lead. Exposure to even low levels of lead can cause irreversible brain and nervous system damage; young and unborn children are particularly vulnerable.

Before beginning any paint removal process you should determine whether the paint you are removing contains lead. This can be done by your local health department or by a professional who uses a paint analyzer to check the lead content of the paint to be removed. **LEAD-BASED PAINT SHOULD ONLY BE REMOVED BY A PROFESSIONAL AND SHOULD NOT BE REMOVED USING A HEAT GUN.** Persons removing paint should follow these guidelines:

- Move the workpiece outdoors. If this is not possible, keep the work area well ventilated. Open the windows and put an exhaust fan in one of them. Be sure the fan is moving the air from inside to outside.
- Remove or cover any carpets, rugs, furniture, clothing, cooking utensils and air ducts.
- Place drop cloths in the work area to catch any paint chips or peelings. Wear protective clothing such as extra work shirts, overalls and hats.
- Work in one room at a time. Furnishings should be removed or placed in the center of the room and covered. Work areas should be sealed off from the rest of the dwelling by sealing doorways with drop cloths.
- Children, pregnant or potentially pregnant women and nursing mothers should not be present in the work area until the work is done and all clean up is complete.
- Wear a dust respirator mask or a dual filter (dust and fume) respirator mask which has been approved by the Occupational Safety and Health Administration (OSHA), the National Institute of Safety and Health (NIOSH), or the United States Bureau of Mines. These masks and replaceable filters are readily available at major hardware stores. Be sure the mask fits. Beards and facial hair may keep masks from sealing properly. Change filters often. **DISPOSABLE PAPER MASKS ARE NOT ADEQUATE.**

- Use caution when operating the heat gun. Keep the heat gun moving as excessive heat will generate fumes which can be inhaled by the operator.
- Keep food and drink out of the work area. Wash hands, arms and face and rinse mouth before eating or drinking. Do not smoke or chew gum or tobacco in the work area.
- Clean up all removed paint and dust by wet mopping the floors. Use a wet cloth to clean all walls, sills and any other surface where paint or dust is clinging. **DO NOT SWEEP, DRY DUST OR VACUUM.** Use a high phosphate detergent or trisodium phosphate (TSP) to wash and mop areas.
- At the end of each work session put the paint chips and debris in a double plastic bag, close it with tape or twist ties and dispose of properly.
- Remove protective clothing and work shoes in the work area to avoid carrying dust into the rest of the dwelling. Wash work clothes separately. Wipe shoes off with a wet rag that is then washed with the work clothes. Wash hair and body thoroughly with soap and water.

IMPORTANT NOTICE

In order for this tool to be an effective paint stripper, it must produce extremely high temperatures. As a consequence, the stripper is capable of igniting paper, wood, paint and varnish residue and similar materials.

As you become more familiar with the tool and develop the proper technique, the danger of accidental ignition will be greatly reduced. In establishing the proper technique, the best thing to do is **PRACTICE!** Work on simple stripping projects, preferably outdoors, until you get a "feel" for how to use your stripper safely and effectively.

AS YOU PRACTICE, OBSERVE THE FOLLOWING PROCEDURES FOR SAFETY

- Always be sure the tool is turned off and disconnected from power supply when unattended.
- Clean the scraper blade often during use. Built up residue on the blade is highly flammable.
- Experiment to find the optimum distance from the tool's nozzle to the surface being stripped. This distance [1"-2" (25.4 mm-50.8 mm)] will vary depending on the material being removed.
- Keep the heat gun moving ahead of the scraper blade at all times.
- As you work, clean up loose pieces of paint as they accumulate around the work area.
- When working indoors, keep away from curtains, papers, upholstery and similar flammable materials.
- Above all, remember that this is a serious tool that is capable of producing excellent results when used properly. Practice on simple projects until you feel comfortable with your stripper. Only then will you have mastered the proper technique.

SAVE THESE INSTRUCTIONS FOR FUTURE USE

Description (Fig. 1)

⚠ WARNING: Never modify the tool or any part of it. Damage or personal injury could result.

- A. On/off switch
- B. Air vents
- C. Kick-off stand
- D. Air temperature adjustment knob (D26950)
LCD air temperature indicator and adjuster (D26960)
- E. Nozzle
- F. Tool hanging ring
- G. Heat barrel cover

INTENDED USE

Your DEWALT heat gun has been designed for stripping paint, soldering pipes, shrinking PVC, welding and bending plastics as well as general drying and thawing purposes.

⚠ WARNING: DO NOT use under wet conditions or in presence of flammable liquids or gases. The heat gun is a professional power tool. **DO NOT** let children come into contact with the tool. Supervision is required when inexperienced operators use this tool.

ASSEMBLY AND ADJUSTMENTS

⚠ WARNING: To reduce the risk of injury, turn off tool, disconnect from power source and allow to cool before installing and removing accessories, before making any adjustments or removing/installing attachments or accessories.

Air Temperature (Fig. 1)

D26950

The air temperature can be adjusted to suit a wide range of applications. Turn the air temperature adjustment knob (D) clockwise or counterclockwise for higher or lower heat.

D26960

Press and release the LCD air temperature indicator and adjuster (D) to set the desired temperature in 50°F (10°C) increments. To continuously increase or decrease the temperature press and hold the LCD air temperature indicator and adjuster (D). Release the indicator when desired temperature or minimum/maximum temperature is reached.

The display shows the actual rising/falling temperature until the desired temperature is reached.

SET AND FORGET TEMPERATURE CONTROL SYSTEM

D26960

The desired temperature is stored in the memory of the tool. Each time the heat gun is turned on, the heat gun heats to the last temperature setting, with respect to air flow. If unsure about the setting, always start with a low temperature setting and gradually increase the temperature until the desired setting is reached.



Applications

The table below suggests settings for different applications.

Setting	Applications
Low	<ul style="list-style-type: none"> Drying paint and varnish Removing stickers Waxing and dewaxing Drying wet timber prior to filling Shrinking PVC wrapping and insulation tubes Thawing frozen pipes
High	<ul style="list-style-type: none"> Welding plastics Bending plastic pipes and sheets Loosening rusted or tightly fastened nuts and bolts Removing paint and lacquer Soldering plumbing joints Removing linoleum or vinyl floor tiles

To Attach the Correct Accessory

This tool is supplied with a set of accessories for different applications.

Icon	Description	Purpose
	Cone nozzle	Welding, soldering, shrink sleeving (heat over concentrated small area)
	2" (50 mm) Fish tail surface nozzle	Drying, removing paint, removing vinyl or linoleum, thawing (heat spread over wide area)

- Make sure the on/off switch (A) is in position O and the tool is disconnected from the power source. Ensure the nozzle has cooled down.
- Place the desired accessory onto the nozzle.

OPERATION

⚠ WARNING: Make sure the nozzle ALWAYS points away from you and any bystanders.

⚠ WARNING: DO NOT drop anything into the nozzle.

⚠ WARNING: Use only one hand to hold the tool as shown in Figure 2. Do not place your other hand over the air vents (Fig. 3).

PRIOR TO OPERATION

- Attach the correct accessory recommended for the application.
- Turn the air temperature adjustment knob (D) to desired air temperature.

FIG. 1

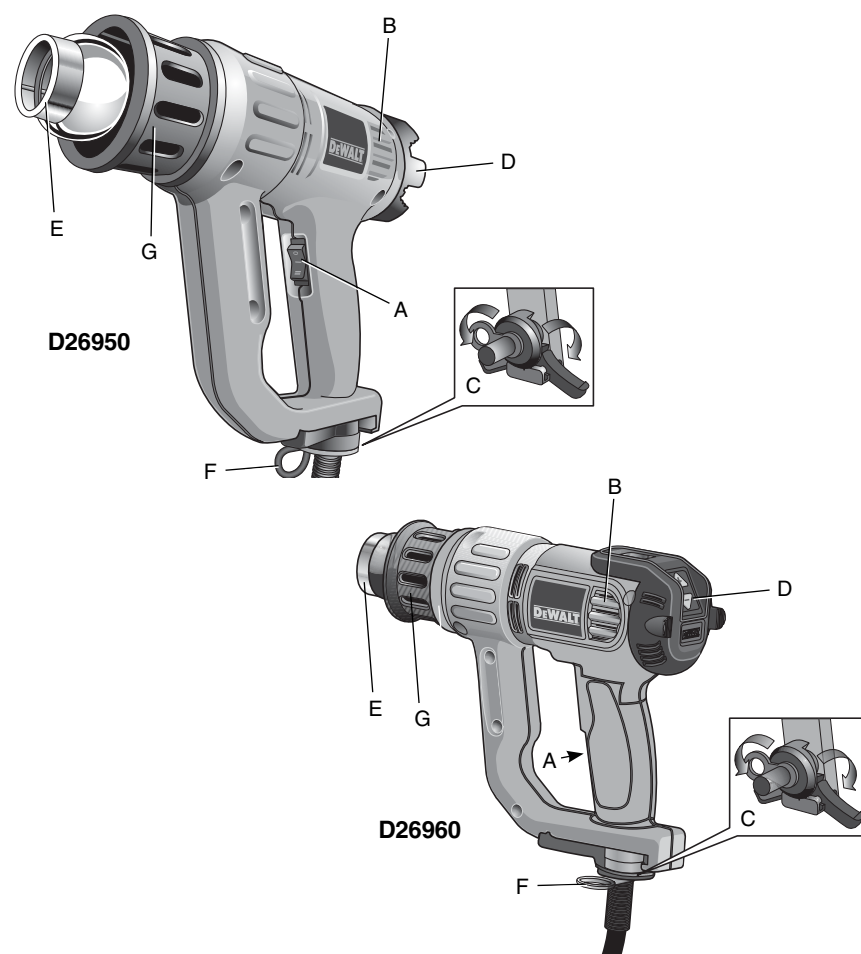


FIG. 2

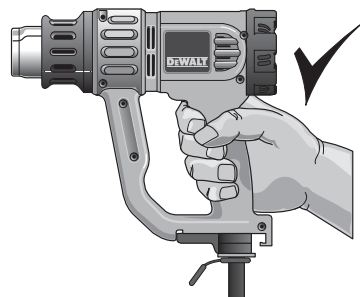


FIG. 4

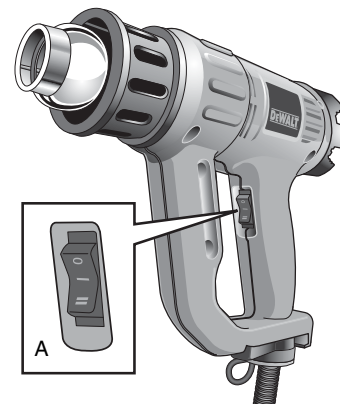
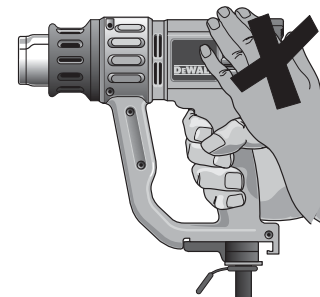


FIG. 3



Switching On and Off (Fig. 4)

- Push the on/off switch (A) to the desired air flow settings:
 - A low air flow to heat up the workpiece slowly.
 - I: 8.5 CFM [120-750°F (50°-400°C)]
 - 8.8 CFM [150-750°F (65°-400°C)] (D26960)
 - A high air flow to heat up the workpiece quickly.
 - II: 16 CFM [120-1100°F (50°-600°C)]
 - 17.7 CFM [(150-1100°F) (65°-600°C)] (D26960)
- To turn the tool off, push the on/off switch (A) to position O. Disconnect the tool from the power source and let the tool cool down before moving or storing it.

Removing Paint

⚠ WARNING: Refer to Important Notice under Additional Safety Instructions for Heat Guns before using the tool to remove paint.

⚠ WARNING: Do not strip metal window frames as the heat may crack the glass.

- When stripping other window frames, use a glass protection nozzle.
- To prevent igniting the surface, do not keep the tool directed at one spot too long.
- Avoid collecting paint on the scraper accessory, as it may ignite. If necessary, carefully remove paint debris from the scraper accessory using a knife.

- Attach the appropriate accessory.
- Turn the air temperature adjustment knob (D) to high.
- Turn the tool on by selecting the desired air flow.
- Direct the hot air onto the paint to be removed.
 - Best results will be achieved if the heat gun is moved slowly, but CONSTANTLY, from side to side to evenly distribute heat. **DO NOT LINGER OR PAUSE IN ONE SPOT.**
- When the paint softens, scrape the paint away using a hand scraper.

REMEMBER: Splinters and small particles of stripped paint can be ignited and blown through holes and cracks in the surface being stripped.

Stationary Use (Fig. 1)

This tool can also be used in stationary mode.

- Fold down the kickstand (C) as shown in Figure 1.
- Set the tool onto a level, stable workbench. Ensure the tool will not tip over.
- Secure the power cord to prevent entanglement or pulling the tool off the workbench.
- Turn the tool on by selecting the desired air flow.

Constant Heat Control (Overload Protection)

When the tool is overloaded, this feature protects the heating element from damage without stopping the tool and/or without a cool down period.

- When the temperature gets too hot, the heating element switches itself off. The motor will continue to run and produce cold air.
- When the temperature has cooled sufficiently (taking only a few seconds) the heating element will switch on automatically.

Tool Ring (Fig. 1)

⚠ WARNING: ALWAYS turn heat gun off, disconnect from the power source and let the tool cool down for at least 30 minutes before moving or storing it.

For easy storage, the tool can hang from the tool ring (F). The heat gun should be stored indoors.

Cool Down Period

The nozzle and accessory becomes very hot during use. Turn heat gun off, disconnect from the power source and let the tool cool down for at least 30 minutes before moving or storing it.

NOTE: To reduce the cooling time, switch the tool on at the lowest air temperature setting and let it run for a few minutes before turning the heat gun off.

MAINTENANCE

⚠ WARNING: *To reduce the risk of injury, turn off tool, disconnect from power source and allow to cool before installing and removing accessories, before making any adjustments or removing/installing attachments or accessories.*

Your DEWALT power tool has been designed to operate over a long period of time with a minimum of maintenance. Continuous satisfactory operation depends upon proper tool care and regular cleaning.

Cleaning

⚠ WARNING: *Blow dirt and dust out of all air vents with dry air at least once a week. Wear proper ANSI Z87.1 (CAN/CSA Z94.3) eye protection and proper NIOSH/OSHA/MSHA respiratory protection when performing this.*

⚠ WARNING: *Never use solvents or other harsh chemicals for cleaning the non-metallic parts of the tool. These chemicals may weaken the plastic materials used in these parts. Use a cloth dampened only with water and mild soap. Never let any liquid get inside the tool; never immerse any part of the tool into a liquid.*

Lubrication

Your power tool requires no additional lubrication.

Accessories

⚠ WARNING: *Since accessories, other than those offered by DEWALT, have not been tested with this product, use of such accessories with this tool could be hazardous. To reduce the risk of injury, only DEWALT, recommended accessories should be used with this product.*

Recommended accessories for use with your tool are available at extra cost from your local dealer or authorized service center.

Learn more about power tools we have.