



Lanyard-Ready Attachment Kit Installation



WARNING: A lanyard-ready attachment kit may only be added to certain models and must be installed by an authorized service center.



WARNING: For your own safety, read the tool instruction manual before using any accessory.

Failure to heed these warnings may result in personal injury and serious damage to the tool and the accessory.



WARNING: Retain this document with the tool instruction manual for future reference.

IMPORTANT: Bit clip and belt hook cannot be used with the lanyard-ready attachment kit installed.

Safety Warnings Specific for Use At Height

- Only use batteries that contain the integral battery strap. Do not use unsecured batteries while the tool is tethered. Unsecured batteries may detach from the tool if dropped.
- If the tool is dropped for any reason, the lanyard attachment point ④ and battery strap components must be inspected and properly serviced prior to re-use. The lanyard attachment point is designed to stretch to absorb the shock of a drop. Any permanent stretch to the device exposing the red marked internal coils indicates it has been compromised and must be serviced prior to reuse.
- Always keep the tool and accessories tethered when working "at height" [maximum lanyard length: 6.5 ft (2 m)].
- Use only with lanyards appropriate for this tool type and rated for at least 12.0 lbs (5.44 Kg).
- **Crush, cut or entanglement hazard.** Do not use near moving parts, mechanisms or running machinery.
- Do not anchor the tool lanyard to anything on your body. Anchor to a rigid structure that can withstand the forces of a dropped tool.
- Make sure the lanyard is properly secure at each end prior to use.
- Inspect tool and lanyard before each use for damage and proper function (including fabric and stitching). Do not use if damaged or not functioning properly.
- Do not alter the lanyard attachment point or use in a manner other than as instructed in this manual.
- Only attach tool to a lanyard with a locking carabiner. Do not attach by looping or knotting the lanyard. Do not use rope or cord.
- Electrical shock hazard. Be sure power is off when working in high voltage areas. Some lanyards are conductive.
- Dropped tools will swing on the lanyard, which could cause injury or loss of balance.
- Do not carry the tool by attachment device or the lanyard.

- Do not attach more than one tool to each lanyard.
- Only use appropriate DEWALT brand lanyard-ready attachment kit. NEVER modify tools to create attachment points.
- Only transfer the tool between hands while properly balanced in a stable orientation.
- Do not attach lanyards to tool in a way that keeps guards, switches or lock-offs from operating properly.
- Avoid getting tangled in the lanyard.
- Keep lanyard away from the cutting area of the tool.
- Do not use lanyards or attachment devices to get additional leverage from the tool.
- Do not use for personal fall protection.
- **Falling object hazard!** Only change accessories and attachments where a dropped object won't cause a hazard below you. Consult your Authority Having Jurisdiction (AHJ) or site supervisor for procedures for working at height.
- Use multi-action and screw gate type carabiners. Do not use single action spring clip carabiners.

The lanyard-ready attachment kit is intended for use by competent personnel, who are trained and knowledgeable regarding working with tools in and around machinery and "at height."

Components

- | | |
|----------------------------|---------------------------|
| ① Battery strap bracket | ⑤ Washer |
| ② Battery strap | ⑥ Screw |
| ③ Battery screws | ⑦ Battery strap carabiner |
| ④ Lanyard attachment point | ⑧ Carabiner tab |
| | ⑨ Carabiner locking arm |

Battery Strap Installation (Fig. A, B)

To install the battery strap ② to the battery:

1. Slide the bracket ① through the end of the battery strap ② (Fig. A) making sure the screw hole ears are pointing out.
2. Remove battery screws ③ from the battery.
3. Install the screws through the holes in the bracket and tighten onto the battery as shown in Figure B. When starting the screws into the battery, rotate them counterclockwise and feel for the screw "dropping" into the existing threads in the housing. Then gradually drive the screw.

IMPORTANT: Always use manual, torque-calibrated screwdrivers and tighten to 8–9.7 in lbs (0.9–1.1 Nm). Do not use pneumatic or electric screwdrivers.

Lanyard Attachment Point Installation (Fig. C)

To install the lanyard attachment point ④ to the tool:

1. Making sure the arc of the bar is curving down, slide the screw ⑥ through the loop in the lanyard attachment point ④ then through the washer ⑤ as shown in Figure C.
2. Attach the assembly to the screw hole on the foot of the tool.

IMPORTANT: Always use manual, torque-calibrated

Fig. A

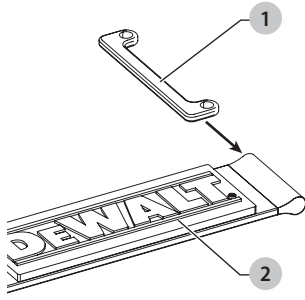


Fig. B

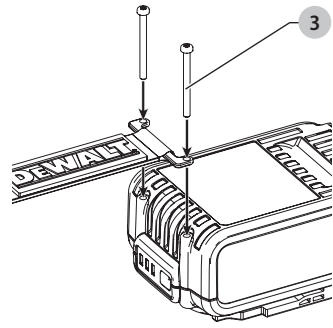


Fig. C

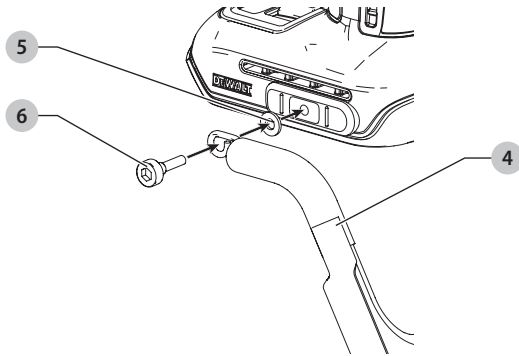


Fig. D

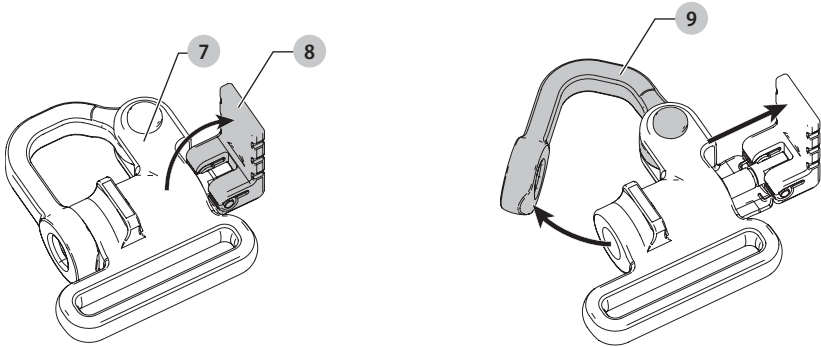


Fig. E

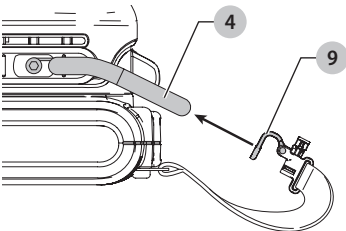
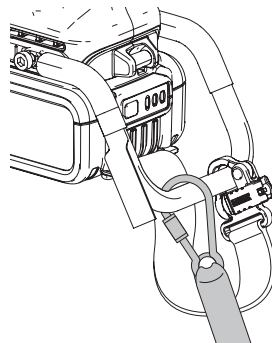


Fig. F



screwdrivers and tighten to 9.7–11.5 in lbs (1.0–1.3 Nm) using a T20 security bit. Do not use pneumatic or electric screwdrivers.

Repeat this process for the other side of the lanyard attachment point and tool.

Installing the Battery Strap Carabiner to the Lanyard Attachment Point (Fig. D–F)



WARNING: DO NOT attach the lanyard to the battery strap. Lanyards should only be attached to the lanyard attachment point.

The carabiner 7 at the end of the battery strap should be opened and then attached onto the lanyard attachment point 4. To open the carabiner:

1. Install battery into tool.
2. Flip open the carabiner tab 8,
3. Pull the tab outward.
4. Move the carabiner locking arm 9 out to open.
5. Attach the carabiner locking arm to the lanyard attachment point 4 (Fig. E)
6. Move the locking arm back into place, push the tab back down so the pin engages the locking arm.

The tool is now ready for a lanyard (Fig. F).