



DeVilbiss® PROLite®

Pressure Feed Professional Spray Gun

Delivering high-performance application of waterborne and solventborne finish paints and coatings

Perfect for any climate and paint, the *DeVilbiss* PROLite spray gun delivers exceptional performance and color match capabilities for today's automotive refinish coatings that can be difficult to atomize, such as low VOC, high solids, pearls or metallic materials.

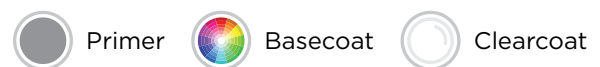
This PROLite performance is achieved utilizing high-capacity air passages and a linear air valve to provide unrestricted, even flow of compressed air through the gun body, enabling the precision-engineered air caps to produce superior atomization with consistent droplet distribution throughout the entire spray pattern.

PROLite is precision built using the highest quality materials for a longer working life. The forged aluminum body features QuickClean™ coating with non-stick properties that reduce clean up time. The high-grade stainless steel fluid nozzles and needles, plus nickel plated brass air caps all contribute to a gun that will last in the most extreme professional spray environments. When routine maintenance is needed, the easy-to-maintain design ensures minimum production downtime. In approval testing with paint company technicians over the last decade, the PROLite has consistently met the highest color match standards, ensuring that you get the job done right — the first time and every time.

FEATURES & BENEFITS

- Lightweight and comfortable handle design with reduced trigger travel to decrease operator fatigue
- Uniform atomization and spray pattern for ease of application
- Advanced range of air cap technology for exceptional application performance with the latest waterborne and solventborne coatings
- Environmental legislation-compliant atomization with high transfer efficiency resulting in significant paint savings
- Forged aluminum gun body with unique QuickClean™ coating and a removable air baffle for a longer working life

APPLICATIONS



Contact your sales representative to place your order today.

PROLite®

Top Assembly Part Numbers

Specifications

Weight (gun only)	500g
Gun Body	Anodized QuickClean™ Aluminum
Air Cap	Plated Brass
Air Cap Retaining Ring & Knobs	Clear Anodized Aluminum
Fluid Nozzle	Stainless Steel
Fluid Needle	Stainless Steel
Air Inlet Thread	1/4" Universal
Service Bulletin	SB-E-2-997

Part Number	Description	Air Cap	Nozzle Size	Material Cup	Gauge	Material Feed
905125	PROLite Pressure Conventional Gun Kit	C797	1.4mm	-	-	Pressure
905128	PROLite Pressure High Efficiency Gun Kit	TE40	1.2mm	-	-	Pressure
905131	PROLite Pressure HVLP & High Efficiency Gun Kit	TE40/HV40	1.0mm, 1.4mm	-	HAV-501	Pressure
905132	PROLite Pressure HVLP & High Efficiency Gun Kit	TE40/HV40	1.0mm, 1.2mm, 1.4mm	-	HAV-501	Pressure



Air Cap Offerings

Air Cap	Atomization Type	Applications	Recommended Inlet Pressures		Max Air Consumption		Fan Pattern Size		Nozzle Sizes
			PSI	BAR	SCFM	SLPM	in	mm	Pressure Feed
TE30	High Efficiency	Multi Purpose	15-29	1.0-2.0	12.7	360	10.5-11.5	275-290	0.85mm-1.8mm
TE40	High Efficiency	Multi Purpose	29-44	2.0-3.0	12.0	340	13.0-16.5	330-420	0.85mm-1.8mm
C797	Conventional	Multi Purpose	29-44	2.0-3.0	14.5	410	13.0-16.5	330-420	0.85mm-1.8mm
HV40	HVLP	Multi Purpose	17	1.2	10.5	300	11.0-13.0	280-330	0.85mm-1.8mm

Refer to [autorefinishdevilbiss.com](#) for a complete listing of approved areas and requirements for regulatory compliance.

Table 1: Parts & Accessories

Part Number	Description
905243	TE30 Air Cap Assembly with Retaining Ring
905244	TE40 Air Cap Assembly with Retaining Ring
905234	C797 Air Cap Assembly with Retaining Ring
905239	HV40 Air Cap Assembly with Retaining Ring
905270	PROLite P/S Fluid Needle for 0.85 & 1.0mm Nozzles
905271	PROLite P/S Fluid Needle for 1.2 & 1.4mm Nozzles
905272	PROLite P/S Fluid Needle for 1.6 & 1.8mm Nozzles
905281	Spray Gun Service/Repair Kit
905206	Seal & Pin Kit
905296	Gun Wrench, Torx & Flat Back Screwdriver, Cleaning Brush & Color ID Rings
803291	HAV-555 - Air Inlet Adjustment Valve with Digital Readout
180089	HAV-511 - Air Inlet Adjustment Valve with Analog Readout

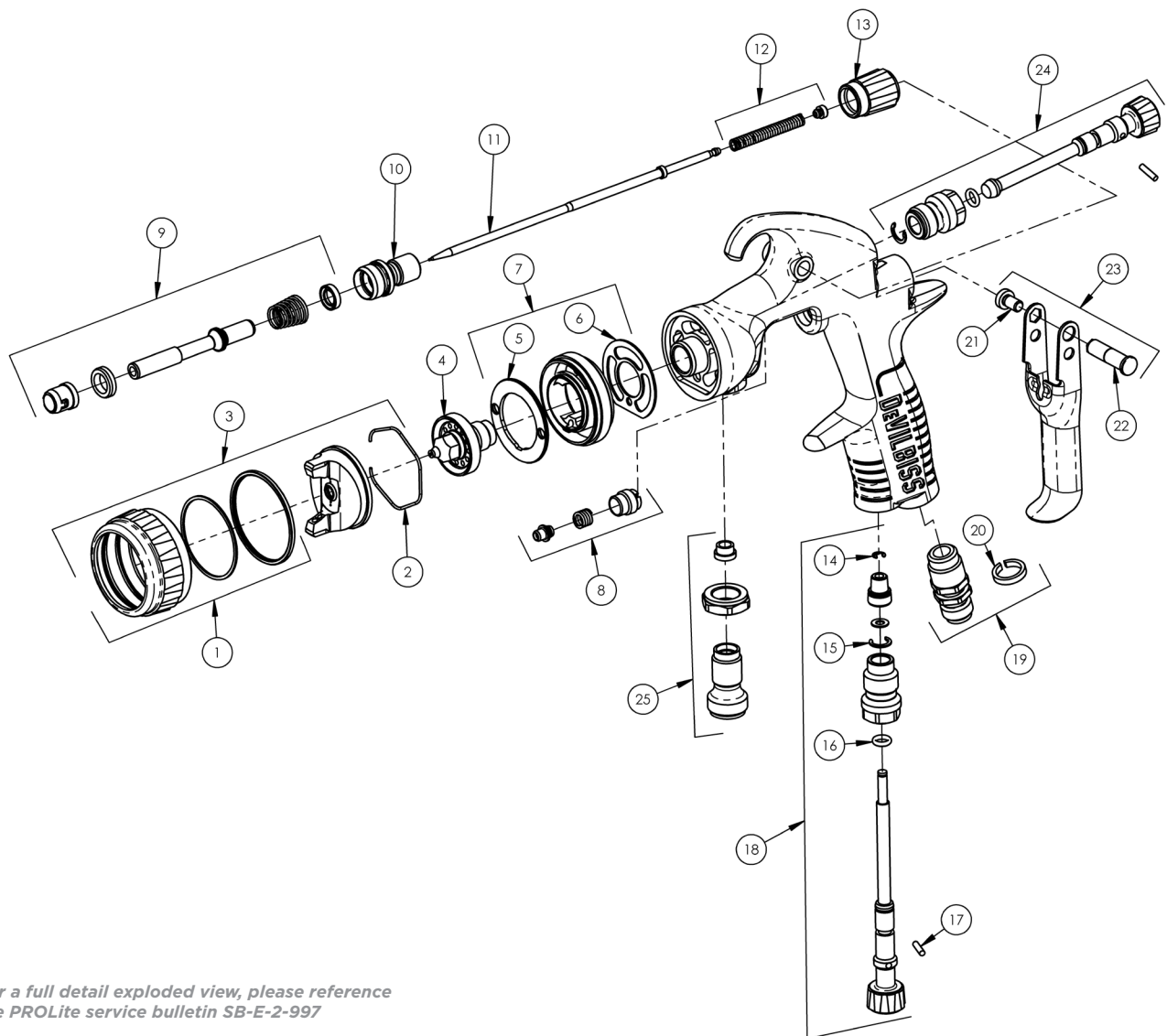
Part Number	Description
PRO-205 Nozzles - Pressure Feed (TE30, TE40 & HV40 Air Caps)	
905256	0.85mm HE/HVLP Pressure Fluid Nozzle
905257	1.0mm HE/HVLP Pressure Fluid Nozzle
905259	1.2mm HE/HVLP Pressure Fluid Nozzle
905261	1.4mm HE/HVLP Pressure Fluid Nozzle
905263	1.6mm HE/HVLP Pressure Fluid Nozzle
905264	1.8mm HE/HVLP Pressure Fluid Nozzle
905265	2.0mm HE/HVLP Pressure Fluid Nozzle
905331	2.2mm HE/HVLP Pressure Fluid Nozzle
PROC-245 Nozzles - Pressure Feed (C797 Air Cap)	
905220	0.85mm Conventional Pressure & Suction Fluid Nozzle
905221	1.0mm Conventional Pressure & Suction Fluid Nozzle
905222	1.2mm Conventional Pressure & Suction Fluid Nozzle
905223	1.4mm Conventional Pressure & Suction Fluid Nozzle
905224	1.6mm Conventional Pressure & Suction Fluid Nozzle
905225	1.8mm Conventional Pressure & Suction Fluid Nozzle

DeVilbiss® PROlite Exploded Reference Legend

Reference	Part Number	Description	QTY	Reference	Part Number	Description	QTY
1	905280	Retaining Ring Sub Assembly	1	14	905000	Circlip (kit of 5)	1
2	905208	Spring Clip (kit of 5)	1	15**	-	Circlip	1
3	See Table 1	Air Cap & Retaining Ring	1	16**	-	O Ring	1
4	See Table 1	Fluid Nozzle	1	17**	-	Spreader Valve Pin	1
5	905297	Baffle Plate	1	18	905276	Airflow Valve	1
6*	905287	Gasket (kit of 2)	1	19	905305	Air Inlet	1
7	905303	Spray Head Kit	1	20	905289	Color ID Ring Kit (4 colors)	1
8*	905294	Packing, Spring & Packing Nut Kit	1	21*	-	Trigger Screw	1
9	905282	Air Valve Assembly	1	22*	-	Trigger Stud	1
10	905301	Air Valve Body	1	23	905306	Trigger, Stud & Screw Kit	1
11	See Table 1	Fluid Needle	1	24	905275	Spreader Valve Assembly	1
12*	905283	Needle Spring Kit	1	25	905001	Fluid Inlet Kit	1
13	905302	Fluid Adjusting Knob	1				

* 905281 - Spray Gun Repair Kit contains all the parts indicated with an asterisk

† 905206 - Seal & Pin Kit, kit of 5 (Items 15, 16, & 17)



For a full detail exploded view, please reference the PROlite service bulletin SB-E-2-997

Innovation *Applied*

The brands you trust

DeVilbiss® Automotive Refinishing is a Carlisle Fluid Technologies brand featuring renowned *DeVilbiss*® fit, feel and balance combined with exceptional performance. *DeVilbiss*® brand products include low-pressure manual and automatic spray guns and related accessories, including air filter reducing valves and regulators, and hoses.

Carlisle Fluid Technologies, a wholly-owned subsidiary of Carlisle Companies Incorporated, is dedicated to providing customers industry-leading solutions for the supply, control, application and curing of a wide range of paints, powders, sealants, adhesives, foams and other application materials. Focused on efficient, cost-effective global solutions for the transportation and other industrial markets, the company offers an expanding collection of pioneering product brands — *DeVilbiss*®, *Ransburg*®, *ms*®, *BGK*®, *Binks*® and *Hosco*®.

Let's start a conversation

We want to work together to help answer your application challenges. To learn more about what we can offer, visit our website or call us today.



Discover other paint spray guns and accessories on our website.